

Liebert® XDP™ Pumping Unit With Liebert iCOM® Controls Supports Liebert XD Smart Modules



Liebert iCOM
increases
reliability and
system control

The Liebert XDP Pumping Unit is part of the highly energy-efficient, high heat density Liebert XD cooling system.

The system can cool more than 30 kW per rack and utilizes pumped refrigerant, which is ideal for use around electronic equipment.

Liebert XDP is specifically designed to provide cooling fluid to Liebert XD modules. The Liebert XDP is an interface between the pumped refrigerant circuit and the building chilled water system. It circulates the refrigerant to the Liebert XD modules while maintaining the refrigerant at a temperature always above the actual dewpoint.

Reliability:

- Can cool more than 30 kW per rack.
- Supports Smart Module or Standard configurations of Liebert XD Modules.
- Uses pumped refrigerant, which is ideal for use around electronic equipment.
- Includes redundant pumps, for increased reliability.
- The packaged unit includes Enclosure, Pumps, Heat Exchanger, Receiver Tank, Liebert iCOM Controls, Valves and Piping.

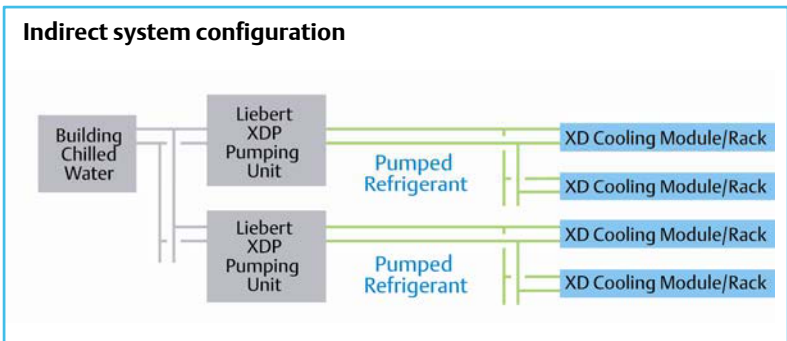
Flexibility:

- The Liebert iCOM control system features maintenance history, spare parts list, Liebert IntelliSlot® for up to two cards (web compatibility and BMS), and comprehensive monitoring.
- Complements Liebert room-based precision cooling units.
- Scalable system allows easy addition of additional cooling modules.

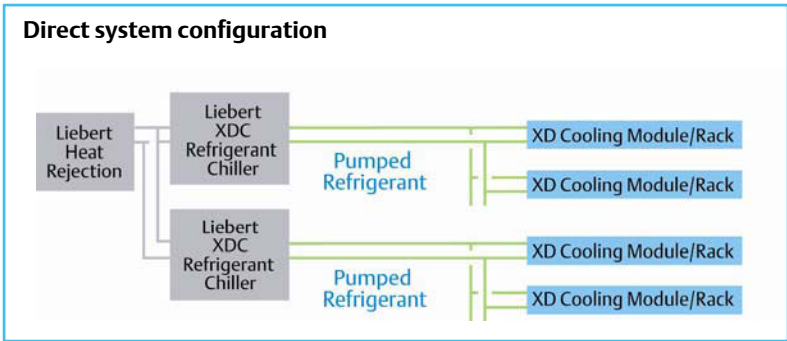
Low Total Cost Of Ownership:

- Provides superior cost for cooling per high heat density rack.
- Highly energy efficient.

Technical Data	
Nominal Capacity, 60 Hz	160 kW / 46 Ton
Nominal Capacity, 50 Hz	140 kW / 40 Ton
Input Voltage	208 V, 3 ph, 60 Hz 460 V, 3 ph, 60 Hz 380/415 V, 3 ph, 50 Hz
Full load amps	2.1 A @ 460 V, 3 ph, 60 Hz 2.3 A @ 380/420 V, 3 ph, 50 Hz
Physical	Height 78" (1981mm) Width 38" (965mm) Depth 34" (864mm) Weight, empty 821 lbs (372 kg)



The Liebert XDP Pumping Unit is utilized as an interface between the pumped refrigerant circuit and the chilled water system.



The indoor Liebert XDC Refrigerant Chiller is specifically designed to support the Liebert XD cooling modules. The XDC connects directly to the modules through the pumped refrigerant circuit. Both the XDC and the XDP units circulate the refrigerant to the XD modules, while maintaining the refrigerant at a temperature always above the actual dewpoint.

While every precaution has been taken to ensure accuracy and completeness in this literature, Liebert Corporation assumes no responsibility, and disclaims all liability for damages resulting from use of this information or for any errors or omissions.
© 2009 Liebert Corporation. All rights reserved throughout the world. Specifications subject to change without notice. All names referred to are trademarks or registered trademarks of their respective owners.
® Liebert and the Liebert logo are registered trademarks of the Liebert Corporation.

SL-16643 (05/09) Printed in USA

Emerson Network Power.
The global leader in enabling
Business-Critical Continuity™.

- AC Power
- Connectivity
- DC Power
- Embedded Computing
- Embedded Power
- Monitoring
- Outside Plant
- Power Switching & Controls
- **Precision Cooling**
- Racks & Integrated Cabinets
- Services
- Surge Protection