

- ATC/Gree
- Air/Water
- Heatpump inverter
- Boiler



## Water tank for Versati heatpump type SXVD

Boiler for Versati air/water heatpump.

### Brand

- ATC - Gree

### Application

- Connection on Versati air/water heatpump
- Connection on monobloc Fujitsu air/water heatpump
- Buffertank for warmwater

### Specifications

- Volume : 200 or 300L.
- Cold water in : 1/2" V
- Connectiondiameter tapwater (cold in, warm out) : 1/2" V
- Connectiondiameter heating (1st heat exchanger) : 3/4" V
- Connectiondiameter heating (2nd heat exchanger) : 3/4" V
- Deliverd with electric heater (3kW), and 2 sensors for a good regulation
- Heat exchanger made from stainless steel
- Suitable for connection to a solar panel and a boiler
- The Hydrobox allows a disinfection program on a regular basis with a maximum water temperature of 70°C
- 50mm isolation

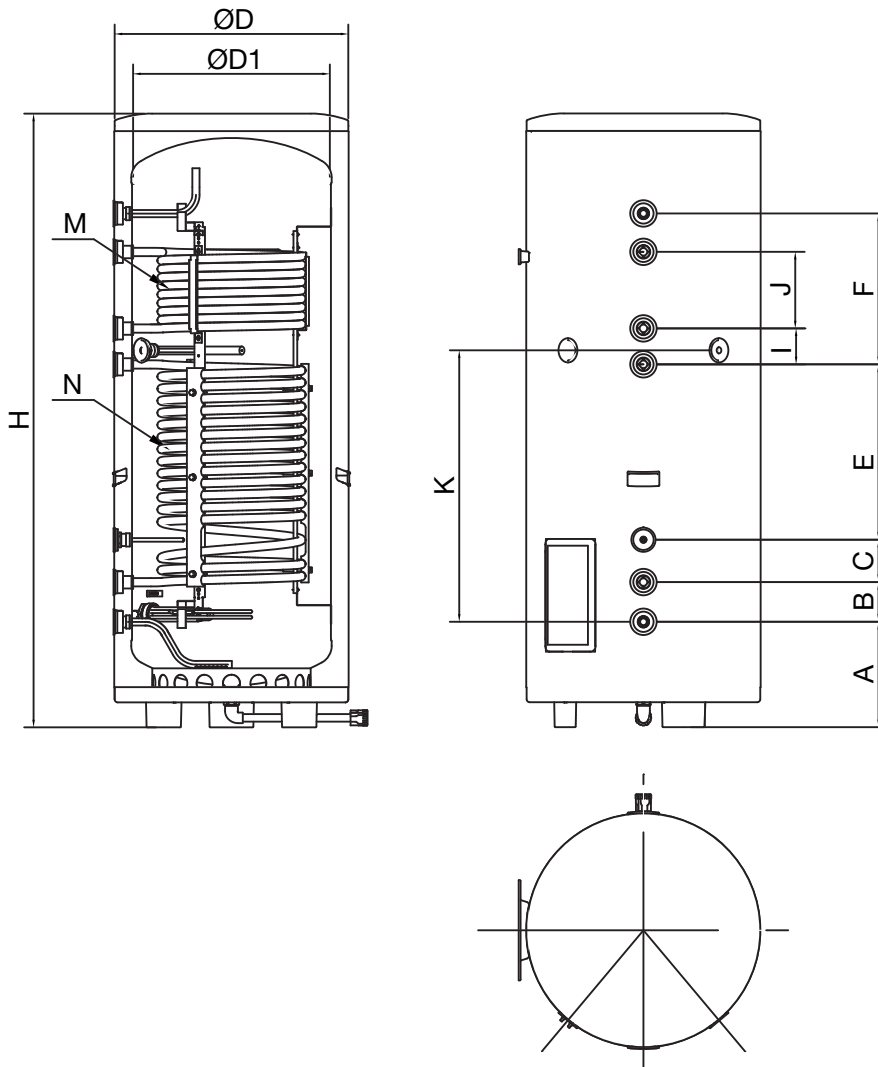
### Accessories

- Hydrobox, Type **GRS-CQ/I**
- Outdoor unit, Type **GRS-CQ/O**
- Outdoor unit, Type **WPYA 080/100 LA**



### Technical data

Models			SXVD200LC /A-K	SXVD300LC /A-K
Water Tank Volume		L	200	300
Electric Heater Power		W	3000	3000
Section power cable		mm <sup>2</sup>	3G2,5	3G2,5
Cool Water Inlet Pipe	Outer diameter	mm	DN15 (F)	1/2 (F)
		inch	1/2 (F)	1/2 (F)
	Screw thread spec		1/2" (F) BSP	1/2" (F) BSP
Hot Water Outlet Pipe	Outer diameter	mm	DN15	1/2
		inch	1/2	1/2 (F)
	Screw thread spec		1/2" (F)	1/2" (F)
Circulation Water Inlet/Outlet Pipe	Outer diameter	mm	DN20 (F)	3/4
		inch	3/4	3/4 (F)
	Screw thread spec		3/4" (F) BSP	3/4" (F) BSP
Water Inlet/Outlet(Heat Pump) Pipe	Outer diameter	mm	DN20	3/4
		inch	3/4	3/4 (F)
	Screw thread spec		3/4" (F)	3/4" (F)
Heat exchanger length	Down (wp)	m	13	18,50
	Top	m	10	10
Unit Dimension(DxH)		mm	540x1595	620x1620
Packing Dimension	W	mm	630	710
	H	mm	1620	1645
	D	mm	625	705



**Dimensions**

Type	SXVD200LCJ2 / A-K	SXVD300LCJ2 / A-K
M [m]	10	10
N [m]	13	18.50
D [mm]	540	620
D1 [mm]	438	528
H [mm]	1595	1620
A [mm]	272	280
B [mm]	105	105
C [mm]	112	112
E [mm]	432	464
F [mm]	431	399
I [mm]	80	95
J [mm]	247.50	202.50
K [mm]	739	718