



Door heater PA1006

For increased comfort inside the door

- Horizontal mounting
- Length: 0,6 m

⚡ Electrical heat: 3 kW

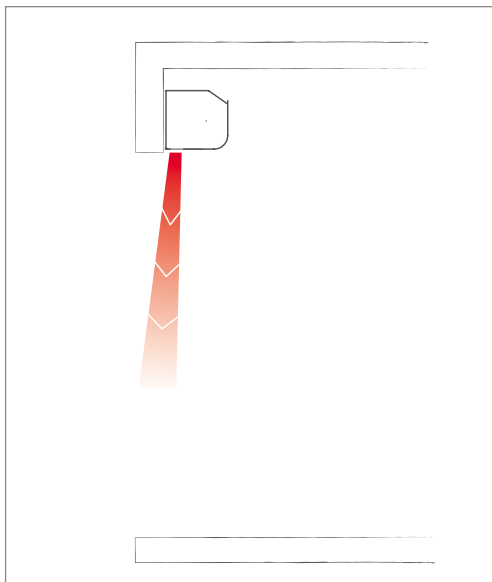
Application

PA1006 is a compact door heater that heats the air around the door opening. This increases the comfort in the vicinity and gives personnel close to the opening a better working climate. When wall mounted, the unit can act as a high level fan heater.

Design

With its compact construction and timeless design the unit is easy to place in any doorway. The intuitive controls are easily accessible, placed on the gable end. The front can be finished in any colour to perfectly match the environment.

Principle



Product specifications

- Integrated selector for the fan and heating.
- Compact and easily positioned.
- Low sound level.
- The unit is easily angled on the bracket, which is used for both wall and ceiling mounting.
- Corrosion proof housing made of hot zinc-plate and powder enamelled steel panels. Colour front: white, RAL 9016, NCS S 0500-N. Colour grille, rear section, ends and brackets: grey, RAL 7046.

Technical specifications

⚡ Electrical heat - PA1006

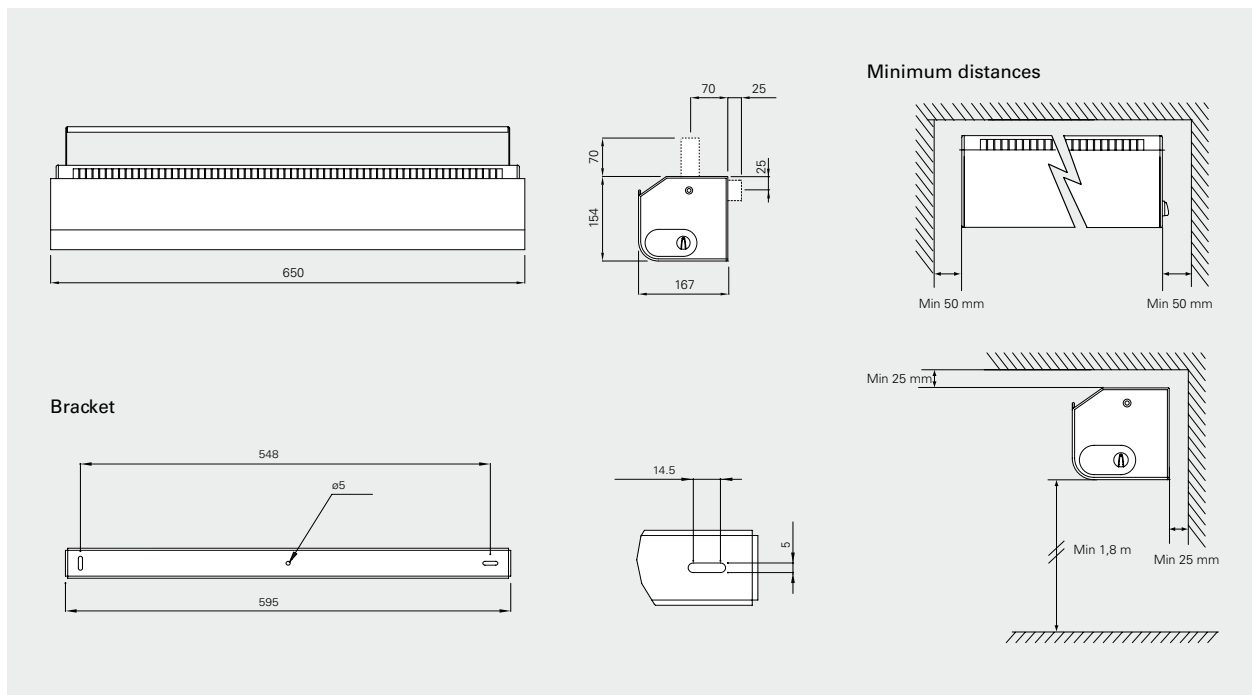
Type	Output [kW]	Airflow [m ³ /h]	Δt ^{*1} [°C]	Sound level ^{*2} [dB(A)]	Voltage [V]	Amperage [A]	Length [mm]	Weight [kg]
PA1006E03	0/1,5/3	230	39	44	230V~	12,8	650	5,3

*1) Δt = temperature rise of passing air at maximum heat output and highest airflow.

*2) Conditions: Distance to the unit 5 metres. Directional factor: 2. Equivalent absorption area: 200 m².

Protection class: IP20.
CE compliant.

Dimensions



Mounting and connection

Mounting

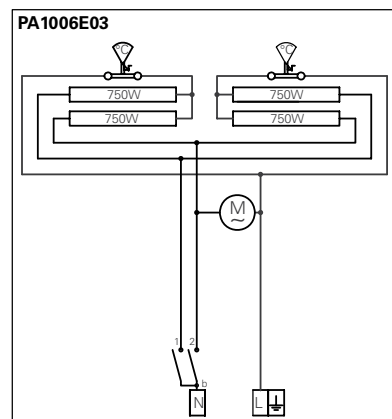
The unit is installed horizontally with the supply air grille facing downwards as close to the door as possible.

Bracket is supplied for wall or ceiling mounting. When mounted on the wall it is possible to angle the heater up to 30° to give even heat distribution in the room.

Connection

The electrical connection is made via cable supplied on the back of the unit for connection to a fixed supply outlet.

Wiring diagrams



		b	
		1	2
0	OFF	o	o
1	⊗ + 1,5kW	■	○
2	⊗ + 3kW	■	○

Controls

The door heater has a built-in switch to set the fan and heating steps.