



⚡ 2 kW Electrical heat

1 model

Fan heater K21

Small and portable fan heater with high output temperature

Application

K21 is a compact and safe fan heater designed for portable use. Ideal for heating small areas, for example, garages, caravans, awnings, weekend cottages, offices, patios, etc.

Comfort

Frico's fan heaters are extremely quiet and quickly provide comfortable heating. With a portable fan heater it is easy to move and take the heat where it is required. The K21 fan heater only weighs 2.5 kg but has an output of 2000 W.

Operation and economy

Frico's fan heaters have a long life and providing fast and effective heating at a low cost. A portable fan heater gives good personal comfort without the need to heat the whole premises, which keeps heating costs to a minimum.

Design

K21 fan heater is small and compact in white metal finish and is equipped with a solid handle.

Product specifications

- Self-regulating ceramic PTC element that can not be overheated.
- Intensive and concentrated heat emission. The air is heated to approx. 65 °C when it passes through K21.
- Equipped with 2 metre long cord with plug for connection to an earthed outlet socket.
- Thermostat (+5 – +35 °C) and output selector (0/1/2 kW).
- Outer casing in white enamelled sheet steel. Colour: RAL 9016, NCS 0500 (white).



Technical specifications | Fan heater K21 ⚡

Type	Output steps [kW]	Airflow [m³/h]	Sound level*1 [dB(A)]	Δt*2 [°C]	Voltage [V]	Amperage [A]	HxWxD [mm]	Weight [kg]
K21	0/1/2	90	43	62	230V~	8.9	220x160x200	2,5

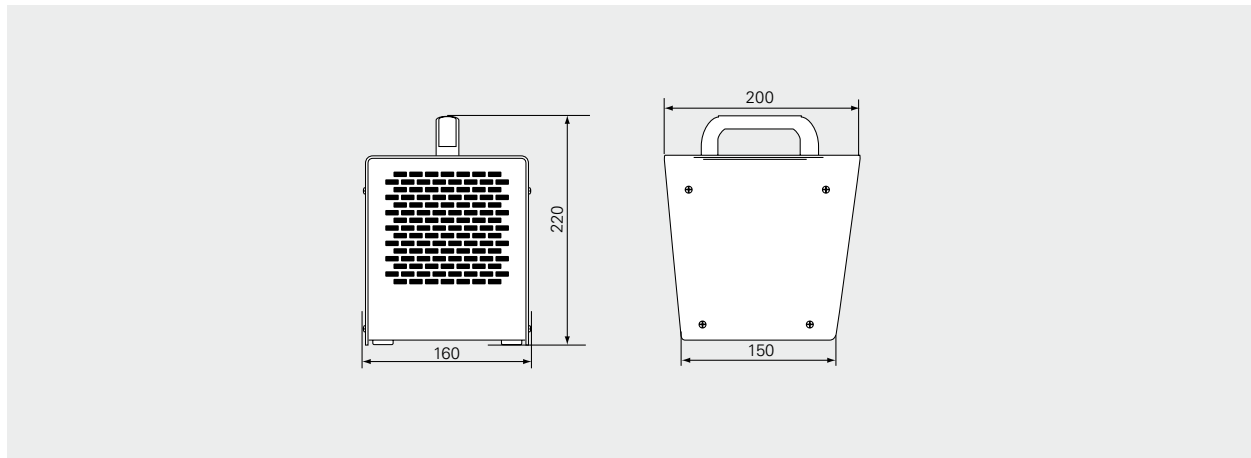
*1) Conditions: 5 meters distance to the unit.

*2) Δt = temperature rise of passing air at maximum heat output.

Protection class: IP21.

Approved by SEMKO and CE compliant.

Dimensions



Mounting and connection

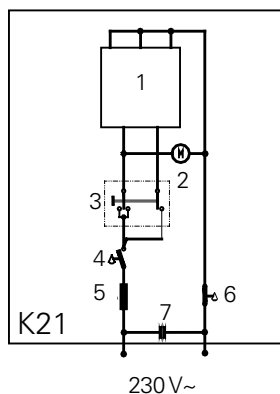
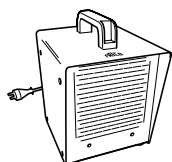
The K21 fan heater is portable and equipped with a 2 metre long cord with plug for connection to an earthed outlet socket.

Controls

The K21 fan heater has an integrated thermostat (+5 – +35 °C) and output selector (0/1/2 kW).

Wiring diagrams

Internal wiring diagram



1. PTC element
2. Fan
3. Switch
4. Thermostat
5. Fuse
6. Overheat protection
7. Disturbance eliminator capacitor