

## Corinte

Design air curtain for exclusive entrances, with intelligent control

- Horizontal mounting
  - Recommended installation height 3 m\*
  - Lengths ADCS: 1,7 and 2,2 m
  - Lengths ACCS: 1, 1,5, 2, 2,5 and 3 m
- Vertical mounting
  - Recommended installation width 5 m\* (2 units), one on each side
  - Lengths ADCS: 2,2 and 2,7 m
  - Lengths ACCS: 2, 2,5 and 3 m

✿ Ambient, no heat

⚡ Electrical heat ADCS: 15–22,5 kW

⚡ Electrical heat ACCS: 9–23 kW

💧 Water heat WH, WL

### Application

Corinte is intended for exclusive shop entrances and other environments with high demands in respect of design and soundlevel. Mounted with one unit on either side of the opening, thus creating a classic symmetry, the curtain effect and comfort is optimized.

The air curtain has many intelligent and energy saving features which provide fully automatic protection for the entrance, adaptable to each area of use.

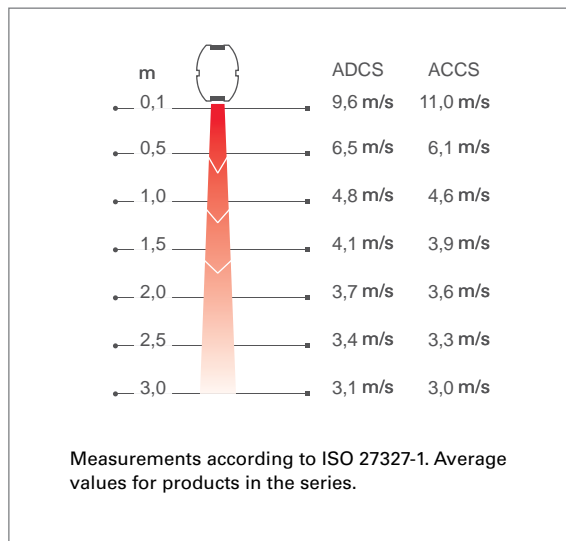
### Design

Corinte is a stylish and exclusive, stainless steel air curtain for horizontal or vertical installation. Corinte is available in two models; ADCS and ACCS that have varying dimensions and performance. The product key offers many options for the design and finish of both models.



Optimized airflow with Thermozone technology.

### Air velocity profile



### Product specifications

- Prepared for the SIRE control system whose pre-programmed default settings and many features make it easy to install and use the air curtain. Read more about the SIRE controls package in the "Controls" section.
- Customised production based on the product key.
- Available for horizontal or vertical mounting.
- For vertical mounting, electricity and/or water may be connected from above or below.
- Available in polished, mirror-polished or brushed stainless steel. Colour intake and outlet grille: black, RAL 9005.

\*) Recommended installation height and width varies depending on the relevant premises.

## ACCS



- Horizontal mounting
  - Recommended installation height 3 m\*
  - Lengths: 1, 1,5, 2, 2,5 and 3 m
- Vertical mounting
  - Recommended installation width 5 m\* (2 units), one on each side
  - Lengths: 2, 2,5 and 3 m

⚡ Electrical heat: 8–23 kW

💧 Water heat WH, WL

Corinte is available in two versions; ADCS and ACCS. Read more about ADCS in the beginning of this section.

\*) Recommended installation height and width varies depending on the relevant premises.

## Technical specifications

### ⚡ Electrical heat - ACCS E

| Type                    | Outout steps [kW] | Airflow* <sup>2</sup> [m <sup>3</sup> /h] | Δt* <sup>4</sup> [°C] | Sound level* <sup>3</sup> [dB(A)] | Voltage motor [V] | Amperage motor [A] | Voltage [V]<br>Amperage [A]<br>(heat) | Length [mm] | Weight [kg] |
|-------------------------|-------------------|---|-----------------------|-----------------------------------|-------------------|--------------------|---------------------------------------|-------------|-------------|
| ACCS10E08* <sup>1</sup> | 2,7/5,4/8,1       | 950/1900                                  | 25/13                 | 44/61                             | 230V~             | 2,2                | 400V3~/11,7                           | 1000        | 50          |
| ACCS15E12* <sup>1</sup> | 3,9/7,8/11,7      | 1350/2600                                 | 26/13                 | 45/62                             | 230V~             | 2,9                | 400V3~/16,9                           | 1500        | 65          |
| ACCS20E16               | 5,4/10,8/16,2     | 1980/3800                                 | 24/13                 | 47/64                             | 230V~             | 4,3                | 400V3~/23,4                           | 2000        | 95          |
| ACCS25E20               | 6,6/13,2/19,8     | 2340/4500                                 | 25/13                 | 48/65                             | 230V~             | 5,1                | 400V3~/28,6                           | 2500        | 110         |
| ACCS30E23               | 7,8/15,6/23,4     | 2660/5100                                 | 26/14                 | 48/65                             | 230V~             | 5,8                | 400V3~/33,8                           | 3000        | 130         |

### 💧 Water heat - ACCS WH, coil for high temperature water (≥80 °C)

| Type                   | Output* <sup>5</sup> |                      | Airflow* <sup>2</sup> [m <sup>3</sup> /h] | Δt* <sup>4,5</sup>   |                      | Water volume        |                     | Sound level* <sup>3</sup> [dB(A)] | Voltage motor [V] | Amperage motor [A] | Length [mm] | Weight [kg] |
|------------------------|----------------------|----------------------|---|----------------------|----------------------|---------------------|---------------------|-----------------------------------|-------------------|--------------------|-------------|-------------|
|                        | H* <sup>7</sup> [kW] | V* <sup>8</sup> [kW] |   | H* <sup>7</sup> [°C] | V* <sup>8</sup> [°C] | H* <sup>7</sup> [l] | V* <sup>8</sup> [l] |                                   |                   |                    |             |             |
| ACCS10WH* <sup>1</sup> | 11,1                 | -                    | 950/1900                                  | 23/17                | -                    | 2,0                 | -                   | 44/61                             | 230V~             | 2,1                | 1000        | 50          |
| ACCS15WH* <sup>1</sup> | 15,1                 | -                    | 1350/2600                                 | 23/17                | -                    | 3,2                 | -                   | 45/62                             | 230V~             | 2,9                | 1500        | 65          |
| ACCS20WH               | 22,3                 | 30,3                 | 1980/3800                                 | 23/17                | 30/24                | 4,3                 | 3,0                 | 47/64                             | 230V~             | 4,3                | 2000        | 95          |
| ACCS25WH               | 27,1                 | 33,4                 | 2340/4500                                 | 23/18                | 28/22                | 5,4                 | 3,0                 | 48/65                             | 230V~             | 5,0                | 2500        | 110         |
| ACCS30WH               | 35,2                 | 51,9                 | 2660/5100                                 | 26/21                | 38/30                | 6,6                 | 5,6                 | 48/65                             | 230V~             | 5,7                | 3000        | 130         |

### 💧 Water heat - ACCS WL, coil for low water temperature (≤80 °C)

| Type                   | Output* <sup>6</sup> |                      | Airflow* <sup>2</sup> [m <sup>3</sup> /h] | Δt* <sup>4,6</sup>   |                      | Water volume        |                     | Sound level* <sup>3</sup> [dB(A)] | Voltage motor [V] | Amperage motor [A] | Length [mm] | Weight [kg] |
|------------------------|----------------------|----------------------|---|----------------------|----------------------|---------------------|---------------------|-----------------------------------|-------------------|--------------------|-------------|-------------|
|                        | H* <sup>7</sup> [kW] | V* <sup>8</sup> [kW] |   | H* <sup>7</sup> [°C] | V* <sup>8</sup> [°C] | H* <sup>7</sup> [l] | V* <sup>8</sup> [l] |                                   |                   |                    |             |             |
| ACCS10WL* <sup>1</sup> | 9,0                  | -                    | 950/1900                                  | 18/14                | -                    | 1,1                 | -                   | 44/61                             | 230V~             | 2,1                | 1000        | 50          |
| ACCS15WL* <sup>1</sup> | 16,8                 | -                    | 1350/2600                                 | 24/19                | -                    | 1,9                 | -                   | 45/62                             | 230V~             | 2,9                | 1500        | 65          |
| ACCS20WL               | 23,5                 | 23,1                 | 1980/3800                                 | 23/18                | 22/18                | 2,5                 | 4,4                 | 47/64                             | 230V~             | 4,3                | 2000        | 95          |
| ACCS25WL               | 29,3                 | 25,8                 | 2340/4500                                 | 24/19                | 21/17                | 3,3                 | 4,4                 | 48/65                             | 230V~             | 5,0                | 2500        | 110         |
| ACCS30WL               | 34,6                 | 31,1                 | 2660/5100                                 | 25/20                | 22/18                | 3,9                 | 5,6                 | 48/65                             | 230V~             | 5,7                | 3000        | 130         |

\*<sup>1</sup>) Available only for horizontal mounting.

\*<sup>2</sup>) Lowest/highest airflow of totally 5 fan steps.

\*<sup>3</sup>) Conditions: Distance to the unit 5 metres. Directional factor: 2. Equivalent absorption area: 200 m<sup>2</sup>. At lowest/highest airflow.

\*<sup>4</sup>) Δt = temperature rise of passing air at maximum heat output and lowest/highest airflow.

\*<sup>5</sup>) Applicable at water temperature 80/60 °C, air temperature, in +18 °C.

\*<sup>6</sup>) Applicable at water temperature 60/40 °C, air temperature, in +18 °C.

\*<sup>7</sup>) Horizontal mounting

\*<sup>8</sup>) Vertical mounting

CE compliant.

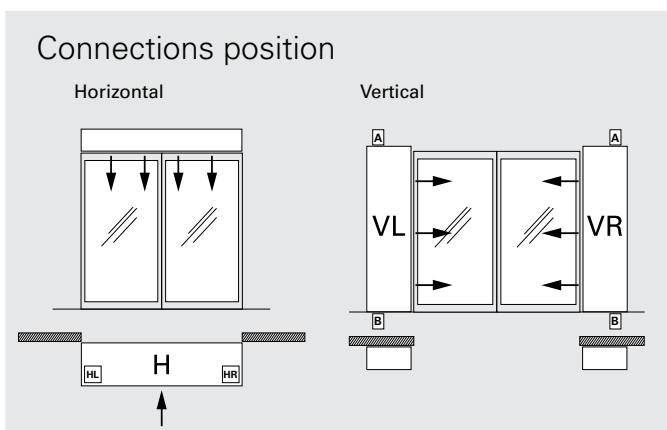
Protection class: IP20.

## Product key

Type - Unit shape - Connections position - Finish / Material

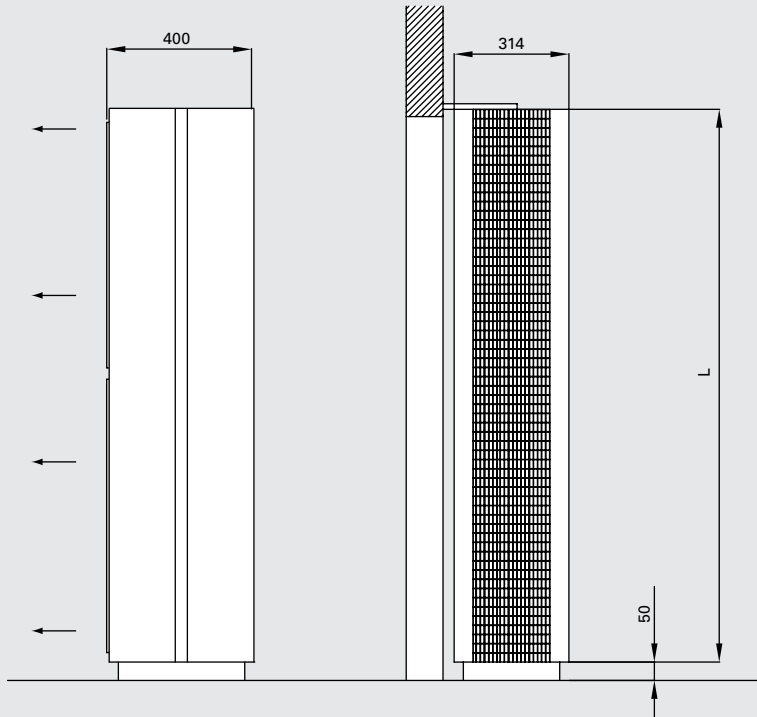
Example: ACCS25WL - VL - A - P

|                      |  |
|----------------------|--|
| Typ                  | See technical specifications   |
| Unit shape           | HL (Horizontal, connections to the left),<br>HR (Horizontal, connections to the right),<br>VL (Vertical Left) or VR (Vertical Right)<br>seen from inside |
| Connections position | A or B, see figure.  |
| Finish / material    | P = Polished stainless steel<br>B = Brushed stainless steel<br>MP = Mirror polished stainless steel  |

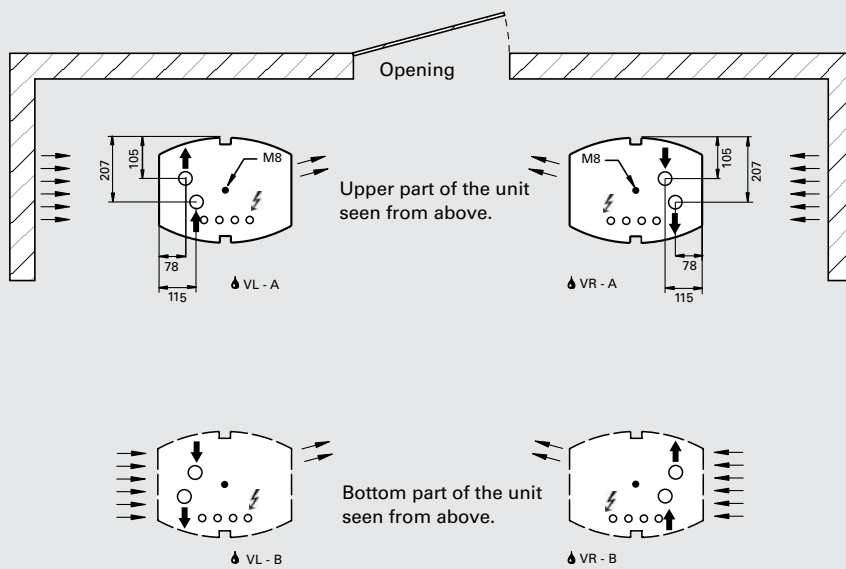


Dimensions

Vertical mounting

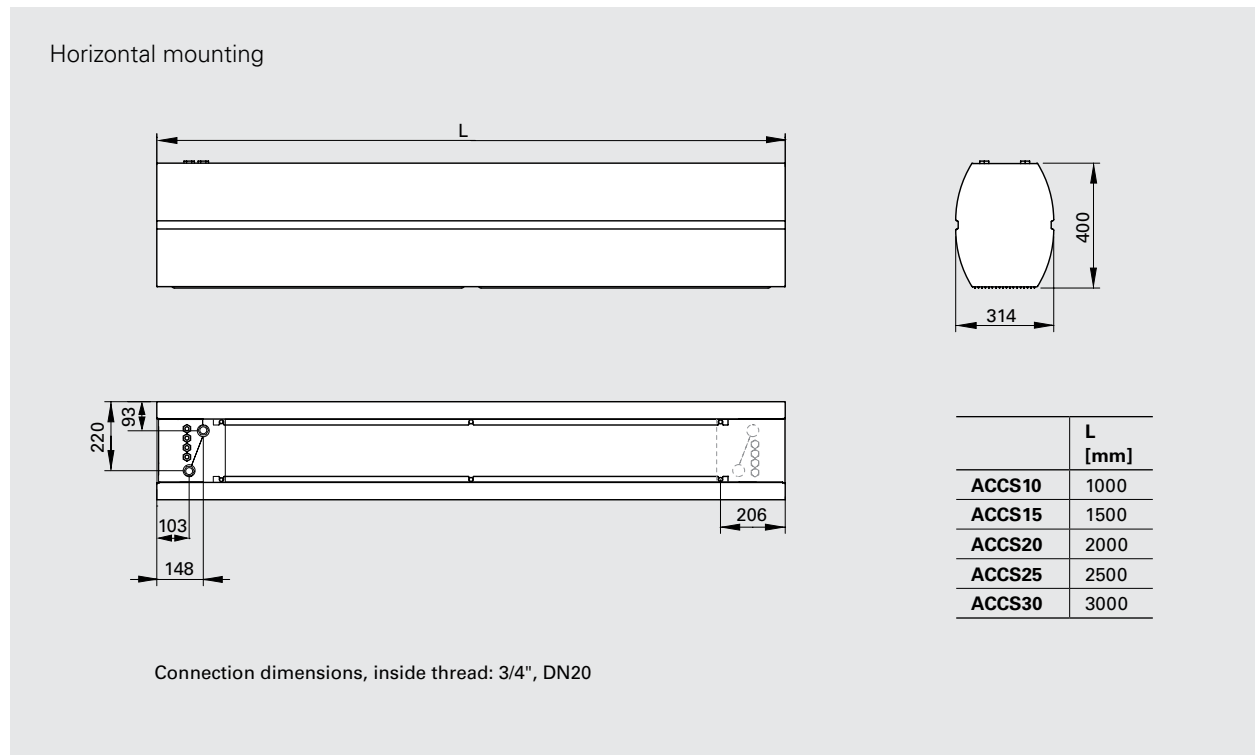


|               | L<br>[mm] |
|---------------|-----------|
| <b>ACCS20</b> | 2000      |
| <b>ACCS25</b> | 2500      |
| <b>ACCS30</b> | 3000      |



Connection dimensions, inside thread: 1", DN25

## Dimensions



## Mounting

The air curtain range includes variants for horizontal and vertical installation.

### Horizontal mounting

The air curtain is installed horizontally with the supply air grille facing downwards as close to the door as possible.

It must be specified when ordering whether the connections are to be on the left or right hand side (seen from inside the premises). The air curtain may be mounted on the wall or on the ceiling with the enclosed brackets (accessory). The air curtain can also be mounted hanging from the ceiling.

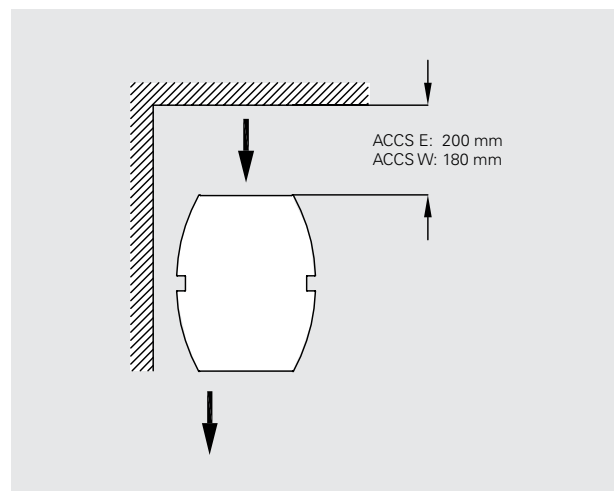
Minimum distance from outlet to floor for electrically heated units is 1800 mm.

### Vertical mounting

The air curtain is mounted vertically as close as possible to the door. For the best effect air curtains should be placed on both sides of the opening.

When ordering, state on which side of the door the unit is to be placed and whether electricity and/or water connections are made from above or below.

The air curtain is installed on adjustable feet which makes it possible to compensate for any surface undulations. The feet are attached to the floor with fasteners appropriate to the surface and covered by a frame. The air curtain must always be secured at the top.



Minimum distances

## Corinte ACCS

### Connection

The PC board SIRE is built into the air curtain on delivery and is equipped with modular connectors for easy connection of external components. Read more about the SIRE control system in the "Controls" section.

#### *Unit with electrical heating*

The electrical connection may be done from above or below when mounted vertically, and from left or right when mounted horizontally, according to ordering key. Control (230V~) and power supply for heat (400V3~) should be connected to a terminal block. For units with electrical heating, power and control should be supplied separately.

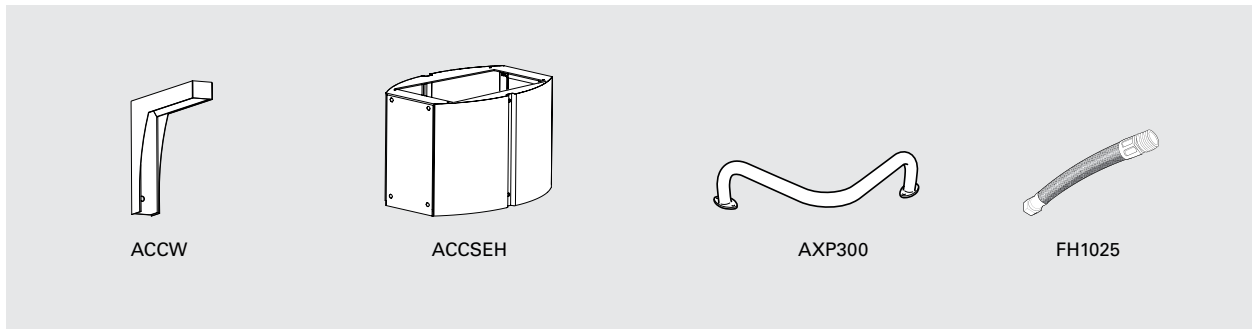
#### *Unit with water heating*

The electrical connection may be done from above or below when mounted vertically, and from left or right when mounted horizontally, according to ordering key. Control (230V~) should be connected to a terminal block.

The water connection may be done from above or below when mounted vertically, and from the left or right when mounted horizontally, via connections with inside thread. Horizontal units DN20 (3/4"), vertical units DN25 (1").



Accessories



**ACCW, wall bracket**

Brackets for installing unit horizontally on a wall. Two are required for 1 and 1.5 metre units, while 2 and 2.5 metre units need three and 3 metre units need four.

Available in three designs:

- ACCWBB, brushed stainless steel
- ACCWBP, polished stainless steel
- ACCWBMP, mirror polished stainless steel

**ACCSEH, extension hood**

Fills the space between the unit and the ceiling for vertical mounting and provides a neater installation. Special order to required dimension. Height 100-1000 mm.

**AXP300, collision protection**

Floor placed protection against impact from e.g. shopping trolleys.

**FH1025, flexible hose**

Flexible hose (DN25, 1" inside thread) for easy connection to the pipe system.

| Type           | Description                                   |
|----------------|---|
| <b>ACCWBB</b>  | Wall bracket, brushed stainless steel         |
| <b>ACCWBP</b>  | Wall bracket, polished stainless steel        |
| <b>ACCWBMP</b> | Wall bracket, mirror polished stainless steel |
| <b>ACCSEH</b>  | Extension hood 100-1000 mm                    |
| <b>AXP300</b>  | Collision protection                          |
| <b>FH1025</b>  | Flexible hoses DN25, inside thread, 1 pcs     |



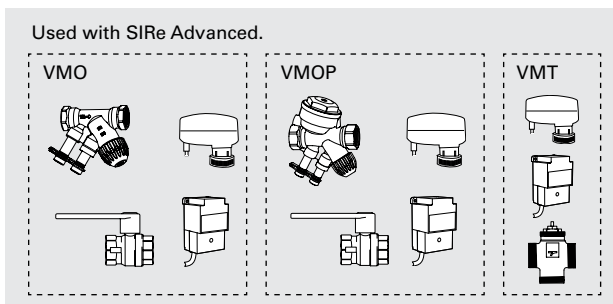
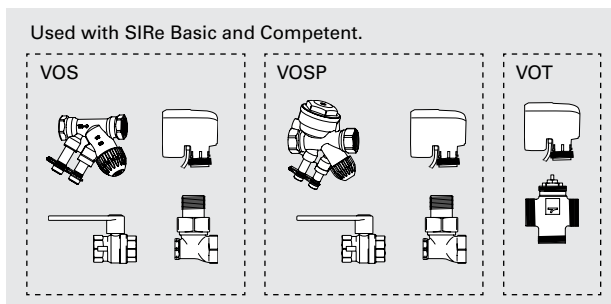
Controls



This air curtain is supplied with an integrated PC board SIRE. There are three different levels with different functionality to choose from, Basic, Competent or Advanced. Read more about the SIRE control system in the "Controls" section.

| Type          | Description                   |
|---------------|-------------------------------|
| <b>SIREB</b>  | Control system SIRE Basic     |
| <b>SIREAC</b> | Control system SIRE Competent |
| <b>SIREAA</b> | Control system SIRE Advanced  |

Water control



Valve kit VOS(P), VOT, VMO(P) or VMT is used to control the water flow. For more information see the "Controls" section.

| Type            | Description                                       |
|-----------------|---|
| <b>VOS15LF</b>  | Valve kit on/off, low flow, DN15                  |
| <b>VOS15NF</b>  | Valve kit on/off, DN15                            |
| <b>VOS20</b>    | Valve kit on/off, DN20                            |
| <b>VOS25</b>    | Valve kit on/off, DN25                            |
| <b>VOSP15LF</b> | Pressure independent valve kit, low flow, DN15    |
| <b>VOSP15NF</b> | Pressure independent valve kit, DN15              |
| <b>VOSP20</b>   | Pressure independent valve kit, DN20              |
| <b>VOSP25</b>   | Pressure independent valve kit, DN25              |
| <b>VOT15</b>    | Three way control valve and actuator on/off, DN15 |
| <b>VOT20</b>    | Three way control valve and actuator on/off, DN20 |
| <b>VOT25</b>    | Three way control valve and actuator on/off, DN25 |

| Type            | Description   |
|-----------------|---|
| <b>VMO15LF</b>  | Modulating valve kit, low flow, DN15                          |
| <b>VMO15NF</b>  | Modulating valve kit, DN15                                    |
| <b>VMO20</b>    | Modulating valve kit, DN20                                    |
| <b>VMO25</b>    | Modulating valve kit, DN25                                    |
| <b>VMOP15LF</b> | Pressure independent and modulating valve kit, low flow, DN15 |
| <b>VMOP15NF</b> | Pressure independent and modulating valve kit, DN15           |
| <b>VMOP20</b>   | Pressure independent and modulating valve kit, DN20           |
| <b>VMOP25</b>   | Pressure independent and modulating valve kit, DN25           |
| <b>VMT15</b>    | Three way control valve and modulating actuator, DN15         |
| <b>VMT20</b>    | Three way control valve and modulating actuator, DN20         |
| <b>VMT25</b>    | Three way control valve and modulating actuator, DN25         |



## Output charts water

ACCS WH Horizontal mounting

|          |              |                   | Supply water temperature: 110 °C<br>Room temperature: +18 °C<br>Outlet air temperature: +35 °C*1 |                            |                     |                        | Water temperature: 110/80 °C<br>Room temperature: +18 °C |                          |                     |                        |
|----------|--------------|-------------------|--|----------------------------|---------------------|------------------------|--|--------------------------|---------------------|------------------------|
| Type     | Fan position | Airflow<br>[m³/h] | Output<br>[kW]   | Return water temp.<br>[°C] | Water flow<br>[l/s] | Pressure drop<br>[kPA] | Output*2<br>[kW]   | Outlet air temp.<br>[°C] | Water flow<br>[l/s] | Pressure drop<br>[kPA] |
| ACCS10WH | max          | 1900              | 10,9   | 45,7                       | 0,04                | 2,0                    | 16,6   | 43,9                     | 0,14                | 15,9                   |
|          | min          | 950               | 5,4  | 32,7                       | 0,02                | 0,5                    | 11,1   | 52,7                     | 0,09                | 7,7                    |
| ACCS15WH | max          | 2600              | 14,9   | 48,0                       | 0,06                | 0,8                    | 22,6   | 43,9                     | 0,19                | 5,7                    |
|          | min          | 1350              | 7,7  | 39,8                       | 0,03                | 0,2                    | 15,5   | 52,0                     | 0,13                | 2,9                    |
| ACCS20WH | max          | 3800              | 21,7   | 45,7                       | 0,08                | 1,9                    | 33,3   | 44,0                     | 0,28                | 14,9                   |
|          | min          | 1980              | 11,3   | 33,0                       | 0,04                | 0,4                    | 22,8   | 52,2                     | 0,19                | 7,5                    |
| ACCS25WH | max          | 4500              | 25,8   | 45,0                       | 0,10                | 1,1                    | 40,6   | 44,8                     | 0,33                | 9,9                    |
|          | min          | 2340              | 13,4   | 36,0                       | 0,04                | 0,4                    | 27,6   | 53,0                     | 0,23                | 4,9                    |
| ACCS30WH | max          | 5100              | 29,2   | 36,2                       | 0,10                | 1,6                    | 52,5   | 48,6                     | 0,43                | 21,3                   |
|          | min          | 2660              | 15,2   | 29,4                       | 0,05                | 0,4                    | 35,2   | 57,3                     | 0,29                | 10,3                   |

|          |              |                   | Supply water temperature: 90 °C<br>Room temperature: +18 °C<br>Outlet air temperature: +35 °C*1 |                            |                     |                        | Water temperature: 90/70 °C<br>Room temperature: +18 °C |                          |                     |                        |
|----------|--------------|-------------------|---|----------------------------|---------------------|------------------------|---|--------------------------|---------------------|------------------------|
| Type     | Fan position | Airflow<br>[m³/h] | Output<br>[kW]  | Return water temp.<br>[°C] | Water flow<br>[l/s] | Pressure drop<br>[kPA] | Output*2<br>[kW]  | Outlet air temp.<br>[°C] | Water flow<br>[l/s] | Pressure drop<br>[kPA] |
| ACCS10WH | max          | 1900              | 10,9  | 53,5                       | 0,07                | 5,6                    | 13,4  | 39,0                     | 0,16                | 23,2                   |
|          | min          | 950               | 5,4   | 37,3                       | 0,02                | 0,9                    | 8,9   | 45,9                     | 0,11                | 11,2                   |
| ACCS15WH | max          | 2600              | 14,9  | 54,7                       | 0,10                | 2,1                    | 18,3  | 38,9                     | 0,22                | 8,3                    |
|          | min          | 1350              | 7,7   | 40,7                       | 0,04                | 0,4                    | 12,5  | 45,5                     | 0,15                | 4,2                    |
| ACCS20WH | max          | 3800              | 21,7  | 53,4                       | 0,14                | 5,1                    | 26,9  | 39,0                     | 0,33                | 21,6                   |
|          | min          | 1980              | 11,3  | 38,0                       | 0,05                | 0,9                    | 18,4  | 45,6                     | 0,23                | 10,9                   |
| ACCS25WH | max          | 4500              | 25,8  | 52,0                       | 0,17                | 4,1                    | 32,9  | 39,7                     | 0,41                | 21,0                   |
|          | min          | 2340              | 13,4  | 37,6                       | 0,06                | 0,7                    | 22,2  | 46,3                     | 0,27                | 10,1                   |
| ACCS30WH | max          | 5100              | 29,2  | 43,0                       | 0,15                | 3,5                    | 42,5  | 42,8                     | 0,52                | 31,1                   |
|          | min          | 2660              | 15,2  | 31,7                       | 0,06                | 0,8                    | 28,4  | 49,7                     | 0,35                | 15                     |

|          |              |                   | Supply water temperature: 80 °C<br>Room temperature: +18 °C<br>Outlet air temperature: +35 °C*1 |                            |                     |                        | Water temperature: 80/60 °C<br>Room temperature: +18 °C |                          |                     |                        |
|----------|--------------|-------------------|---|----------------------------|---------------------|------------------------|---|--------------------------|---------------------|------------------------|
| Type     | Fan position | Airflow<br>[m³/h] | Output<br>[kW]  | Return water temp.<br>[°C] | Water flow<br>[l/s] | Pressure drop<br>[kPA] | Output*2<br>[kW]  | Outlet air temp.<br>[°C] | Water flow<br>[l/s] | Pressure drop<br>[kPA] |
| ACCS10WH | max          | 1900              | 10,9  | 58,8                       | 0,13                | 14,8                   | 11,1  | 35,4                     | 0,14                | 16,9                   |
|          | min          | 950               | 5,4   | 41                         | 0,03                | 1,5                    | 7,4   | 41,2                     | 0,09                | 8,2                    |
| ACCS15WH | max          | 2600              | 14,9  | 59,0                       | 0,17                | 5,4                    | 15,1  | 35,3                     | 0,18                | 6,0                    |
|          | min          | 1350              | 7,7   | 43,0                       | 0,05                | 0,6                    | 10,3  | 40,7                     | 0,13                | 3,0                    |
| ACCS20WH | max          | 3800              | 21,7  | 58,2                       | 0,24                | 12,9                   | 22,3  | 35,4                     | 0,27                | 15,7                   |
|          | min          | 1980              | 11,3  | 41,8                       | 0,07                | 1,6                    | 15,3  | 40,9                     | 0,19                | 8,0                    |
| ACCS25WH | max          | 4500              | 25,8  | 56,5                       | 0,27                | 7,1                    | 27,1  | 35,9                     | 0,33                | 10,4                   |
|          | min          | 2340              | 13,4  | 41,2                       | 0,08                | 0,9                    | 18,5  | 41,4                     | 0,23                | 5,2                    |
| ACCS30WH | max          | 5100              | 29,2  | 47,5                       | 0,22                | 6,9                    | 35,2  | 38,5                     | 0,43                | 22,5                   |
|          | min          | 2660              | 15,2  | 35                         | 0,08                | 1,3                    | 23,5  | 44,3                     | 0,29                | 10,9                   |

|          |              |                   | Supply water temperature: 82 °C<br>Room temperature: +18 °C<br>Outlet air temperature: +35 °C*1 |                            |                     |                        | Water temperature: 82/71 °C<br>Room temperature: +18 °C |                          |                     |                        |
|----------|--------------|-------------------|---|----------------------------|---------------------|------------------------|---|--------------------------|---------------------|------------------------|
| Type     | Fan position | Airflow<br>[m³/h] | Output<br>[kW]  | Return water temp.<br>[°C] | Water flow<br>[l/s] | Pressure drop<br>[kPA] | Output*2<br>[kW]  | Outlet air temp.<br>[°C] | Water flow<br>[l/s] | Pressure drop<br>[kPA] |
| ACCS10WH | max          | 1900              | 10,9  | 57,4                       | 0,11                | 11,3                   | 12,9  | 38,2                     | 0,29                | 64,1                   |
|          | min          | 950               | 5,4   | 40,0                       | 0,03                | 1,3                    | 8,5   | 44,7                     | 0,19                | 30,4                   |
| ACCS15WH | max          | 2600              | 14,9  | 58,0                       | 0,15                | 4,2                    | 17,7  | 38,3                     | 0,39                | 23,3                   |
|          | min          | 1350              | 7,7   | 42,6                       | 0,05                | 0,6                    | 12,0  | 44,3                     | 0,27                | 11,4                   |
| ACCS20WH | max          | 3800              | 21,7  | 57,0                       | 0,21                | 10,1                   | 25,9  | 38,2                     | 0,58                | 60,0                   |
|          | min          | 1980              | 11,3  | 41,0                       | 0,07                | 1,4                    | 17,6  | 44,4                     | 0,39                | 29,8                   |
| ACCS25WH | max          | 4500              | 25,8  | 55,5                       | 0,24                | 8,0                    | 31,7  | 38,9                     | 0,71                | 40,9                   |
|          | min          | 2340              | 13,4  | 40,5                       | 0,08                | 1,1                    | 21,4  | 45,1                     | 0,48                | 28,7                   |
| ACCS30WH | max          | 5100              | 29,2  | 46,4                       | 0,20                | 5,8                    | 40,5  | 41,6                     | 0,89                | 85,4                   |
|          | min          | 2660              | 15,2  | 34,0                       | 0,08                | 1,1                    | 26,9  | 48,0                     | 0,60                | 40,4                   |

\*1) Recommended outlet air temperature for good comfort and optimized output.

\*2) Nominal output at given supply and return water temperature.

See [www.frico.se](http://www.frico.se) for additional calculations.

Output charts water

ACCS WH

Vertical mounting

|          |              |                | Supply water temperature: 110 °C<br>Room temperature: +18 °C<br>Outlet air temperature: +35 °C*1 |                         |                  |                     | Water temperature: 110/80 °C<br>Room temperature: +18 °C |                       |                  |                     |
|----------|--------------|----------------|--|-------------------------|------------------|---------------------|--|-----------------------|------------------|---------------------|
| Type     | Fan position | Airflow [m³/h] | Output [kW]  | Return water temp. [°C] | Water flow [l/s] | Pressure drop [kPA] | Output*2 [kW]  | Outlet air temp. [°C] | Water flow [l/s] | Pressure drop [kPA] |
| ACCS20WH | max          | 3800           | 21,9   | 32,4                    | 0,07             | 1,5                 | 45,7   | 53,7                  | 0,38             | 33,8                |
|          | min          | 1980           | 11,4   | 26,1                    | 0,03             | 0,4                 | 30,3   | 63,5                  | 0,25             | 16,2                |
| ACCS25WH | max          | 4500           | 26,0   | 34,9                    | 0,09             | 2,2                 | 50,6   | 51,4                  | 0,42             | 40,6                |
|          | min          | 2340           | 13,5   | 27,3                    | 0,04             | 0,6                 | 33,8   | 60,8                  | 0,28             | 19,6                |
| ACCS30WH | max          | 5100           | 29,4   | 23,6                    | 0,08             | 1,2                 | 77,9   | 63,4                  | 0,64             | 54,5                |
|          | min          | 2660           | 15,4   | 20,6                    | 0,04             | 0,4                 | 49,6   | 73,5                  | 0,41             | 24,3                |

|          |              |                | Supply water temperature: 90 °C<br>Room temperature: +18 °C<br>Outlet air temperature: +35 °C*1 |                         |                  |                     | Water temperature: 90/70 °C<br>Room temperature: +18 °C |                       |                  |                     |
|----------|--------------|----------------|---|-------------------------|------------------|---------------------|---|-----------------------|------------------|---------------------|
| Type     | Fan position | Airflow [m³/h] | Output [kW]   | Return water temp. [°C] | Water flow [l/s] | Pressure drop [kPA] | Output*2 [kW]   | Outlet air temp. [°C] | Water flow [l/s] | Pressure drop [kPA] |
| ACCS20WH | max          | 3800           | 21,9  | 37,6                    | 0,10             | 3,1                 | 36,6  | 46,3                  | 0,45             | 52,3                |
|          | min          | 1980           | 11,4  | 29,6                    | 0,05             | 0,7                 | 24,3  | 54,1                  | 0,30             | 23,5                |
| ACCS25WH | max          | 4500           | 26,0  | 40,7                    | 0,13             | 4,8                 | 40,4  | 44,4                  | 0,49             | 63,5                |
|          | min          | 2340           | 13,5  | 31,2                    | 0,06             | 1,0                 | 27,1  | 52,1                  | 0,33             | 29,1                |
| ACCS30WH | max          | 5100           | 29,4  | 27,0                    | 0,11             | 2,3                 | 62,3  | 53,9                  | 0,76             | 82,3                |
|          | min          | 2660           | 15,4  | 22,5                    | 0,06             | 0,6                 | 40,6  | 62,9                  | 0,50             | 35,6                |

|          |              |                | Supply water temperature: 80 °C<br>Room temperature: +18 °C<br>Outlet air temperature: +35 °C*1 |                         |                  |                     | Water temperature: 80/60 °C<br>Room temperature: +18 °C |                       |                  |                     |
|----------|--------------|----------------|---|-------------------------|------------------|---------------------|---|-----------------------|------------------|---------------------|
| Type     | Fan position | Airflow [m³/h] | Output [kW]   | Return water temp. [°C] | Water flow [l/s] | Pressure drop [kPA] | Output*2 [kW]   | Outlet air temp. [°C] | Water flow [l/s] | Pressure drop [kPA] |
| ACCS20WH | max          | 3800           | 21,9  | 41,1                    | 0,14             | 5,5                 | 30,3  | 41,5                  | 0,37             | 36,3                |
|          | min          | 1980           | 11,4  | 32,0                    | 0,06             | 1,1                 | 20,1  | 47,9                  | 0,25             | 16,4                |
| ACCS25WH | max          | 4500           | 26,0  | 44,4                    | 0,18             | 9,0                 | 33,4  | 39,9                  | 0,41             | 44,1                |
|          | min          | 2340           | 13,5  | 33,8                    | 0,07             | 1,6                 | 22,4  | 46,2                  | 0,27             | 20,3                |
| ACCS30WH | max          | 5100           | 29,4  | 29,5                    | 0,14             | 3,4                 | 51,9  | 48,0                  | 0,63             | 57,8                |
|          | min          | 2660           | 15,4  | 23,8                    | 0,07             | 1,2                 | 33,9  | 55,5                  | 0,41             | 25,3                |

|          |              |                | Supply water temperature: 82 °C<br>Room temperature: +18 °C<br>Outlet air temperature: +35 °C*1 |                         |                  |                     | Water temperature: 82/71 °C<br>Room temperature: +18 °C |                       |                  |                     |
|----------|--------------|----------------|---|-------------------------|------------------|---------------------|---|-----------------------|------------------|---------------------|
| Type     | Fan position | Airflow [m³/h] | Output [kW]   | Return water temp. [°C] | Water flow [l/s] | Pressure drop [kPA] | Output*2 [kW]   | Outlet air temp. [°C] | Water flow [l/s] | Pressure drop [kPA] |
| ACCS20WH | max          | 3800           | 21,9  | 40,3                    | 0,13             | 4,8                 | 35,1  | 45,2                  | 0,78             | 156,4               |
|          | min          | 1980           | 11,4  | 31,5                    | 0,06             | 1,0                 | 23,3  | 52,6                  | 0,52             | 69,7                |
| ACCS25WH | max          | 4500           | 26,0  | 43,3                    | 0,16             | 7,8                 | 38,8  | 43,4                  | 0,86             | 190,3               |
|          | min          | 2340           | 13,5  | 33,3                    | 0,07             | 1,5                 | 26,0  | 50,7                  | 0,58             | 86,4                |
| ACCS30WH | max          | 5100           | 29,4  | 29,0                    | 0,13             | 3,1                 | 58,9  | 52,0                  | 1,31             | 239,4               |
|          | min          | 2660           | 15,4  | 23,7                    | 0,06             | 0,8                 | 38,1  | 60,2                  | 0,85             | 101,6               |

\*1) Recommended outlet air temperature for good comfort and optimized output.

\*2) Nominal output at given supply and return water temperature.

## Output charts water

ACCS WL

Horizontal mounting

|          |              |                | Supply water temperature: 80 °C<br>Room temperature: +18 °C<br>Outlet air temperature: +35 °C*1 |                         |                  |                     | Water temperature: 80/60 °C<br>Room temperature: +18 °C |                       |                  |                     |
|----------|--------------|----------------|---|-------------------------|------------------|---------------------|---|-----------------------|------------------|---------------------|
| Type     | Fan position | Airflow [m³/h] | Output [kW]   | Return water temp. [°C] | Water flow [l/s] | Pressure drop [kPA] | Output*2 [kW]   | Outlet air temp. [°C] | Water flow [l/s] | Pressure drop [kPA] |
| ACCS10WL | max          | 1900           | 10,9  | 39,0                    | 0,06             | 5,4                 | 15,4  | 42,1                  | 0,19             | 35,0                |
|          | min          | 950            | 5,4   | 29,0                    | 0,03             | 1,1                 | 9,9   | 49,0                  | 0,12             | 15,9                |
| ACCS15WL | max          | 2600           | 14,9  | 27,5                    | 0,07             | 2,1                 | 27,9  | 49,9                  | 0,34             | 33,3                |
|          | min          | 1350           | 7,8   | 25,3                    | 0,03             | 0,7                 | 17,7  | 57,0                  | 0,22             | 14,9                |
| ACCS20WL | max          | 3800           | 21,8  | 29,5                    | 0,11             | 1,8                 | 39,7  | 49,0                  | 0,48             | 24,7                |
|          | min          | 1980           | 11,3  | 27,1                    | 0,05             | 0,5                 | 25,3  | 56,0                  | 0,31             | 11,1                |
| ACCS25WL | max          | 4500           | 25,9  | 27,5                    | 0,12             | 2,8                 | 48,8  | 50,2                  | 0,60             | 44,4                |
|          | min          | 2340           | 13,4  | 24,2                    | 0,06             | 0,8                 | 31,0  | 57,4                  | 0,38             | 19,8                |
| ACCS30WL | max          | 5100           | 29,2  | 25,9                    | 0,13             | 3,9                 | 57,1  | 51,2                  | 0,70             | 70,2                |
|          | min          | 2660           | 15,3  | 22,5                    | 0,06             | 1,2                 | 36,2  | 58,4                  | 0,44             | 31,2                |

|          |              |                | Supply water temperature: 70 °C<br>Room temperature: +18 °C<br>Outlet air temperature: +35 °C*1 |                         |                  |                     | Water temperature: 70/50 °C<br>Room temperature: +18 °C |                       |                  |                     |
|----------|--------------|----------------|---|-------------------------|------------------|---------------------|---|-----------------------|------------------|---------------------|
| Type     | Fan position | Airflow [m³/h] | Output [kW]   | Return water temp. [°C] | Water flow [l/s] | Pressure drop [kPA] | Output*2 [kW]   | Outlet air temp. [°C] | Water flow [l/s] | Pressure drop [kPA] |
| ACCS10WL | max          | 1900           | 10,9  | 43,5                    | 0,36             | 11,8                | 12,3  | 37,2                  | 0,15             | 23,8                |
|          | min          | 950            | 5,4   | 32,0                    | 0,12             | 1,9                 | 8,0   | 42,9                  | 0,10             | 11,1                |
| ACCS15WL | max          | 2600           | 14,9  | 30,5                    | 0,33             | 3,5                 | 22,5  | 43,7                  | 0,28             | 23,3                |
|          | min          | 1350           | 7,7   | 26,0                    | 0,15             | 1,0                 | 14,2  | 49,3                  | 0,17             | 10,4                |
| ACCS20WL | max          | 3800           | 21,7  | 32,5                    | 0,51             | 3,0                 | 31,8  | 42,8                  | 0,39             | 17,0                |
|          | min          | 1980           | 11,4  | 27,7                    | 0,23             | 0,8                 | 20,3  | 48,4                  | 0,25             | 7,7                 |
| ACCS25WL | max          | 4500           | 25,9  | 30,5                    | 0,57             | 4,6                 | 39,4  | 44,0                  | 0,48             | 31,1                |
|          | min          | 2340           | 13,4  | 25,1                    | 0,26             | 1,2                 | 24,9  | 49,6                  | 0,30             | 13,8                |
| ACCS30WL | max          | 5100           | 29,2  | 28,7                    | 0,62             | 6,3                 | 45,9  | 44,7                  | 0,56             | 48,7                |
|          | min          | 2660           | 15,3  | 23,6                    | 0,29             | 1,7                 | 29,2  | 50,6                  | 0,36             | 21,8                |

|          |              |                | Supply water temperature: 60 °C<br>Room temperature: +18 °C<br>Outlet air temperature: +35 °C*1 |                         |                  |                     | Water temperature: 60/40 °C<br>Room temperature: +18 °C |                       |                  |                     |
|----------|--------------|----------------|---|-------------------------|------------------|---------------------|---|-----------------------|------------------|---------------------|
| Type     | Fan position | Airflow [m³/h] | Output [kW]   | Return water temp. [°C] | Water flow [l/s] | Pressure drop [kPA] | Output*2 [kW]   | Outlet air temp. [°C] | Water flow [l/s] | Pressure drop [kPA] |
| ACCS10WL | max          | 1900           | 10,9  | 49,0                    | 0,24             | 56,9                | 9,0   | 32,1                  | 0,11             | 14,3                |
|          | min          | 950            | 5,4   | 36,5                    | 0,06             | 4,5                 | 5,9   | 36,4                  | 0,07             | 6,7                 |
| ACCS15WL | max          | 2600           | 14,9  | 35,0                    | 0,14             | 8,0                 | 16,8  | 37,2                  | 0,20             | 14,3                |
|          | min          | 1350           | 7,7   | 27,5                    | 0,06             | 1,6                 | 10,7  | 41,6                  | 0,13             | 6,5                 |
| ACCS20WL | max          | 3800           | 21,7  | 37,0                    | 0,23             | 7,2                 | 23,5  | 36,3                  | 0,28             | 10,3                |
|          | min          | 1980           | 11,4  | 29,2                    | 0,09             | 1,4                 | 15,1  | 40,6                  | 0,18             | 4,7                 |
| ACCS25WL | max          | 4500           | 25,9  | 34,5                    | 0,24             | 9,9                 | 29,3  | 37,3                  | 0,36             | 18,9                |
|          | min          | 2340           | 13,4  | 27,5                    | 0,10             | 2,1                 | 18,7  | 41,8                  | 0,23             | 8,6                 |
| ACCS30WL | max          | 5100           | 29,2  | 32,8                    | 0,26             | 13,3                | 34,6  | 38,2                  | 0,42             | 30,5                |
|          | min          | 2660           | 15,3  | 26,3                    | 0,11             | 3,0                 | 22,0  | 42,6                  | 0,27             | 13,7                |

\*1) Recommended outlet air temperature for good comfort and optimized output.

\*2) Nominal output at given supply and return water temperature.

See [www.frico.se](http://www.frico.se) for additional calculations.

Output charts water

ACCS WL

Horizontal mounting

|          |              |                | Supply water temperature: 55 °C<br>Room temperature: +18 °C<br>Outlet air temperature: +35 °C*1 |                         |                  |                     | Water temperature: 55/35 °C<br>Room temperature: +18 °C |                       |                  |                     |
|----------|--------------|----------------|---|-------------------------|------------------|---------------------|---|-----------------------|------------------|---------------------|
| Type     | Fan position | Airflow [m³/h] | Output [kW]   | Return water temp. [°C] | Water flow [l/s] | Pressure drop [kPA] | Output*2 [kW]   | Outlet air temp. [°C] | Water flow [l/s] | Pressure drop [kPA] |
| ACCS10WL | max          | 1900           | -   | -                       | 0,17             | -                   | 7,4   | 29,6                  | 0,09             | 10,3                |
|          | min          | 950            | 5,5   | 39,5                    | 0,09             | 9,3                 | 4,9   | 33,2                  | 0,06             | 4,9                 |
| ACCS15WL | max          | 2600           | 15,0  | 38,0                    | 0,21             | 15,8                | 13,9  | 33,8                  | 0,17             | 10,5                |
|          | min          | 1350           | 7,8   | 30,0                    | 0,08             | 2,6                 | 8,9   | 37,5                  | 0,11             | 4,8                 |
| ACCS20WL | max          | 3800           | 21,7  | 39,5                    | 0,34             | 14,2                | 19,4  | 33,1                  | 0,23             | 7,5                 |
|          | min          | 1980           | 11,35   | 31,4                    | 0,12             | 2,2                 | 12,5  | 36,7                  | 0,15             | 3,5                 |
| ACCS25WL | max          | 4500           | 25,8  | 37,5                    | 0,36             | 19,4                | 24,2  | 34,0                  | 0,29             | 13,8                |
|          | min          | 2340           | 13,4  | 29,6                    | 0,13             | 3,3                 | 15,5  | 37,7                  | 0,19             | 6,3                 |
| ACCS30WL | max          | 5100           | 29,3  | 35,8                    | 0,37             | 24,7                | 28,7  | 34,7                  | 0,35             | 22,3                |
|          | min          | 2660           | 15,3  | 28,5                    | 0,14             | 4,6                 | 18,4  | 38,5                  | 0,22             | 10,2                |

- = at the current water temperatures and airflows, the air outlet temperature will be less than 35 °C.

Vertical mounting

|          |              |                | Supply water temperature: 80 °C<br>Room temperature: +18 °C<br>Outlet air temperature: +35 °C*1 |                         |                  |                     | Water temperature: 80/60 °C<br>Room temperature: +18 °C |                       |                  |                     |
|----------|--------------|----------------|---|-------------------------|------------------|---------------------|---|-----------------------|------------------|---------------------|
| Type     | Fan position | Airflow [m³/h] | Output [kW]   | Return water temp. [°C] | Water flow [l/s] | Pressure drop [kPA] | Output*2 [kW]   | Outlet air temp. [°C] | Water flow [l/s] | Pressure drop [kPA] |
| ACCS20WL | max          | 3800           | 21,8  | 29,3                    | 0,10             | 2,0                 | 39,1  | 48,5                  | 0,48             | 27,7                |
|          | min          | 1980           | 11,3  | 26,8                    | 0,05             | 0,6                 | 24,1  | 55,7                  | 0,57             | 11,7                |
| ACCS25WL | max          | 4500           | 25,8  | 31,5                    | 0,13             | 2,9                 | 43,4  | 46,7                  | 0,53             | 33,4                |
|          | min          | 2340           | 13,4  | 26,3                    | 0,06             | 0,8                 | 27,9  | 53,4                  | 0,34             | 15,2                |
| ACCS30WL | max          | 5100           | 29,2  | 28,7                    | 0,14             | 4,1                 | 52,1  | 48,3                  | 0,64             | 57,6                |
|          | min          | 2660           | 15,3  | 23,9                    | 0,07             | 1,2                 | 33,3  | 55,1                  | 0,41             | 25,8                |

|          |              |                | Supply water temperature: 70 °C<br>Room temperature: +18 °C<br>Outlet air temperature: +35 °C*1 |                         |                  |                     | Water temperature: 70/50 °C<br>Room temperature: +18 °C |                       |                  |                     |
|----------|--------------|----------------|---|-------------------------|------------------|---------------------|---|-----------------------|------------------|---------------------|
| Type     | Fan position | Airflow [m³/h] | Output [kW]   | Return water temp. [°C] | Water flow [l/s] | Pressure drop [kPA] | Output*2 [kW]   | Outlet air temp. [°C] | Water flow [l/s] | Pressure drop [kPA] |
| ACCS20WL | max          | 3800           | 21,8  | 32,7                    | 0,14             | 3,5                 | 31,1  | 42,3                  | 0,38             | 18,9                |
|          | min          | 1980           | 11,3  | 27,4                    | 0,06             | 0,9                 | 19,9  | 47,8                  | 0,24             | 8,6                 |
| ACCS25WL | max          | 4500           | 25,8  | 35,1                    | 0,18             | 5,2                 | 34,7  | 40,9                  | 0,42             | 23,0                |
|          | min          | 2340           | 13,4  | 27,7                    | 0,08             | 1,2                 | 22,3  | 46,3                  | 0,27             | 10,5                |
| ACCS30WL | max          | 5100           | 29,2  | 32,2                    | 0,19             | 7,1                 | 41,7  | 42,3                  | 0,51             | 39,7                |
|          | min          | 2660           | 15,3  | 25,5                    | 0,08             | 1,8                 | 26,7  | 47,8                  | 0,33             | 18                  |

|          |              |                | Supply water temperature: 60 °C<br>Room temperature: +18 °C<br>Outlet air temperature: +35 °C*1 |                         |                  |                     | Water temperature: 60/40 °C<br>Room temperature: +18 °C |                       |                  |                     |
|----------|--------------|----------------|---|-------------------------|------------------|---------------------|---|-----------------------|------------------|---------------------|
| Type     | Fan position | Airflow [m³/h] | Output [kW]   | Return water temp. [°C] | Water flow [l/s] | Pressure drop [kPA] | Output*2 [kW]   | Outlet air temp. [°C] | Water flow [l/s] | Pressure drop [kPA] |
| ACCS20WL | max          | 3800           | 21,8  | 37,2                    | 0,23             | 8,3                 | 23,1  | 36,1                  | 0,28             | 11,6                |
|          | min          | 1980           | 11,3  | 29,2                    | 0,09             | 1,6                 | 14,9  | 40,3                  | 0,18             | 5,3                 |
| ACCS25WL | max          | 4500           | 25,8  | 40,0                    | 0,31             | 14,0                | 25,8  | 35,0                  | 0,31             | 14,0                |
|          | min          | 2340           | 13,4  | 31,0                    | 0,11             | 2,1                 | 16,7  | 39,2                  | 0,20             | 6,5                 |
| ACCS30WL | max          | 5100           | 29,2  | 37,0                    | 0,31             | 17,1                | 31,1  | 36,1                  | 0,38             | 24,4                |
|          | min          | 2660           | 15,3  | 28,9                    | 0,12             | 3,3                 | 20,0  | 40,4                  | 0,24             | 11,2                |

\*1) Recommended outlet air temperature for good comfort and optimized output.

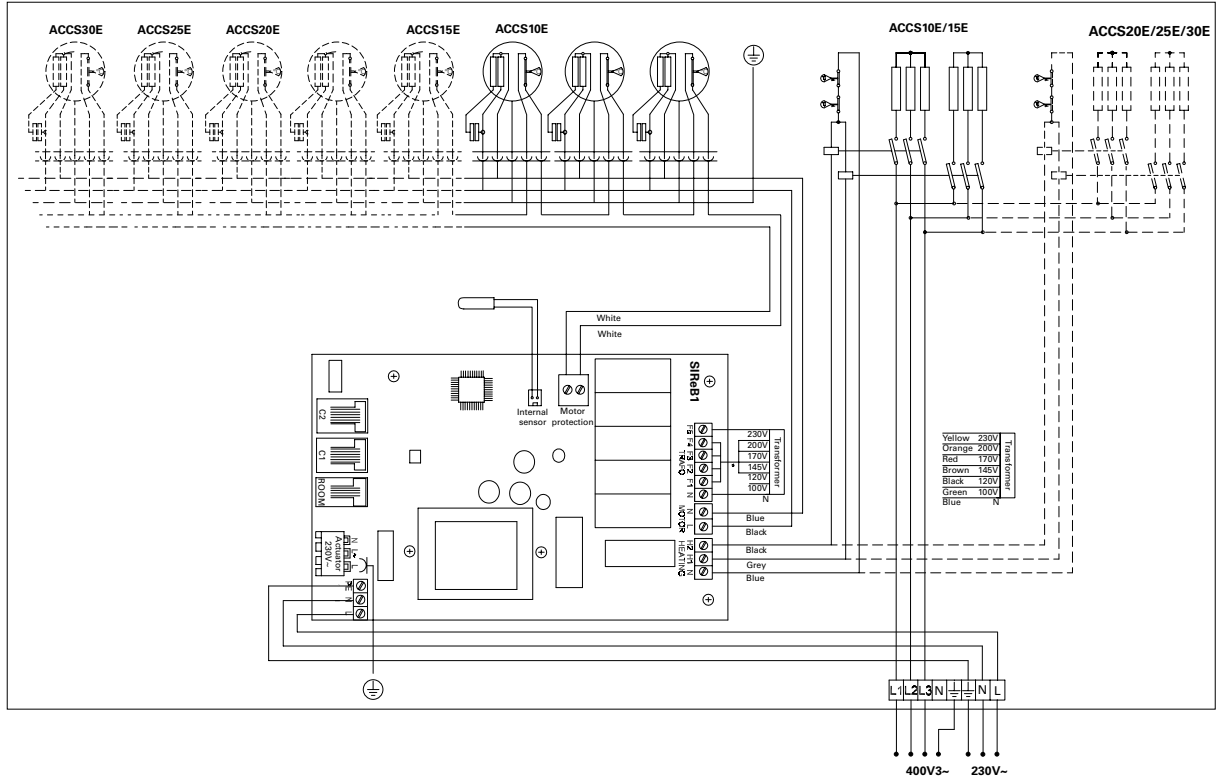
\*2) Nominal output at given supply and return water temperature.

See [www.frico.se](http://www.frico.se) for additional calculations.

Wiring diagrams

Internal wiring diagram

Unit with electrical heating



Unit with water heating

