

FlowCon Green with A
DN15/20/25 · 1/2", 3/4", 1"

No. Reference no. Description

Valve bodies

- | | | |
|----|---------|------------------------|
| ① | Axx.l | Valve body |
| ①* | A25.l.K | Valve body (not shown) |

Insert

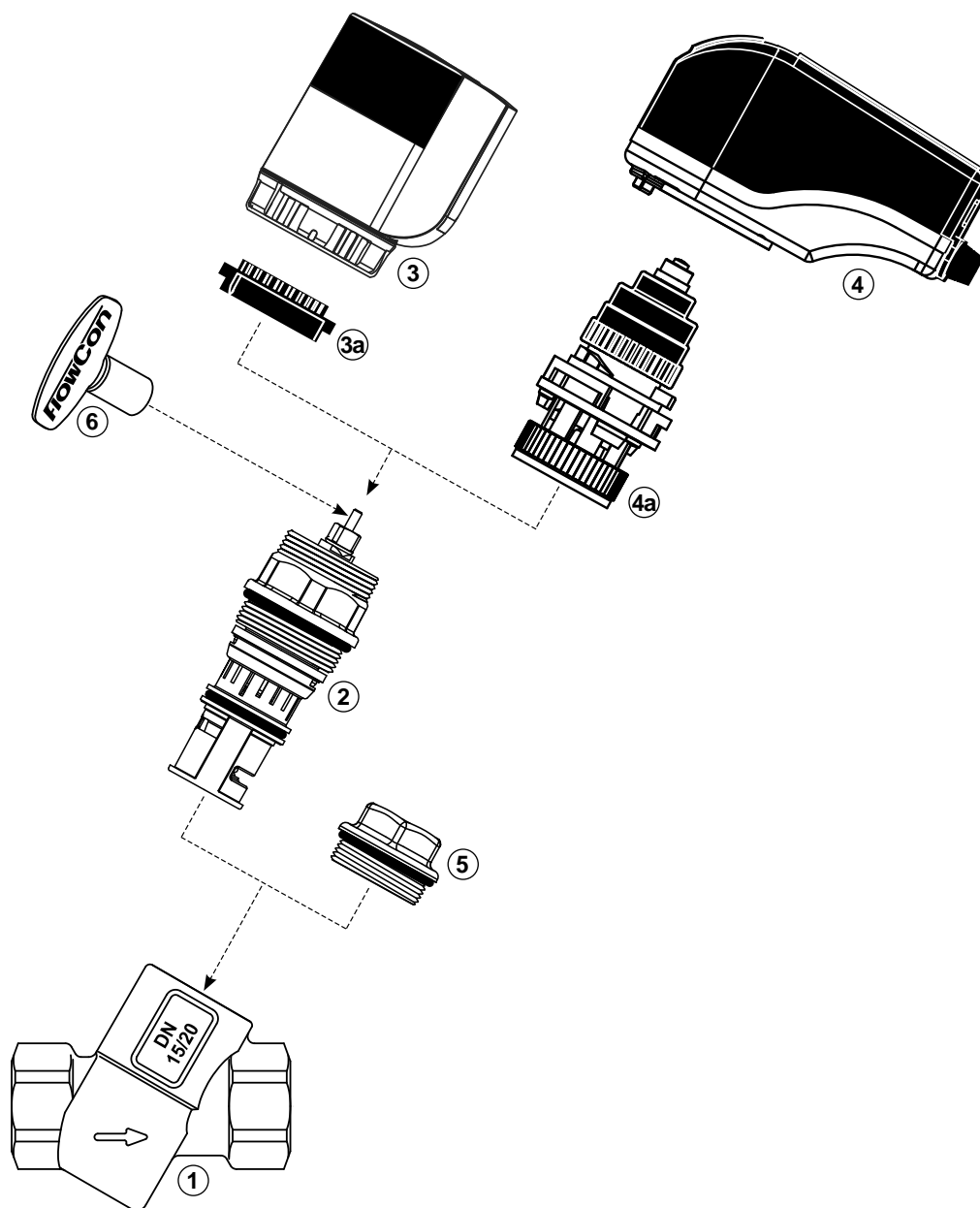
- | | | |
|---|---------|--------------|
| ② | Green.x | Green insert |
|---|---------|--------------|

Actuators

- | | | |
|---|--------|---|
| ③ | FT.x.x | Thermal actuator
incl. (3a) adaptor ring |
| ④ | FN.x.x | Electrical actuator
incl. (4a) valve adaptor |

Accessories

- | | | |
|---|---------|----------------|
| ⑤ | ACC0080 | Blind cap |
| ⑥ | ACC0001 | Adjustment key |



FlowCon Green with AB
DN15/20/25 · 1/2", 3/4", 1"

No. Reference no. Description

Valve bodies

- | | | |
|----|----------|------------------------|
| ① | ABxx.I | Valve body |
| ①* | AB25.I.K | Valve body (not shown) |

Insert

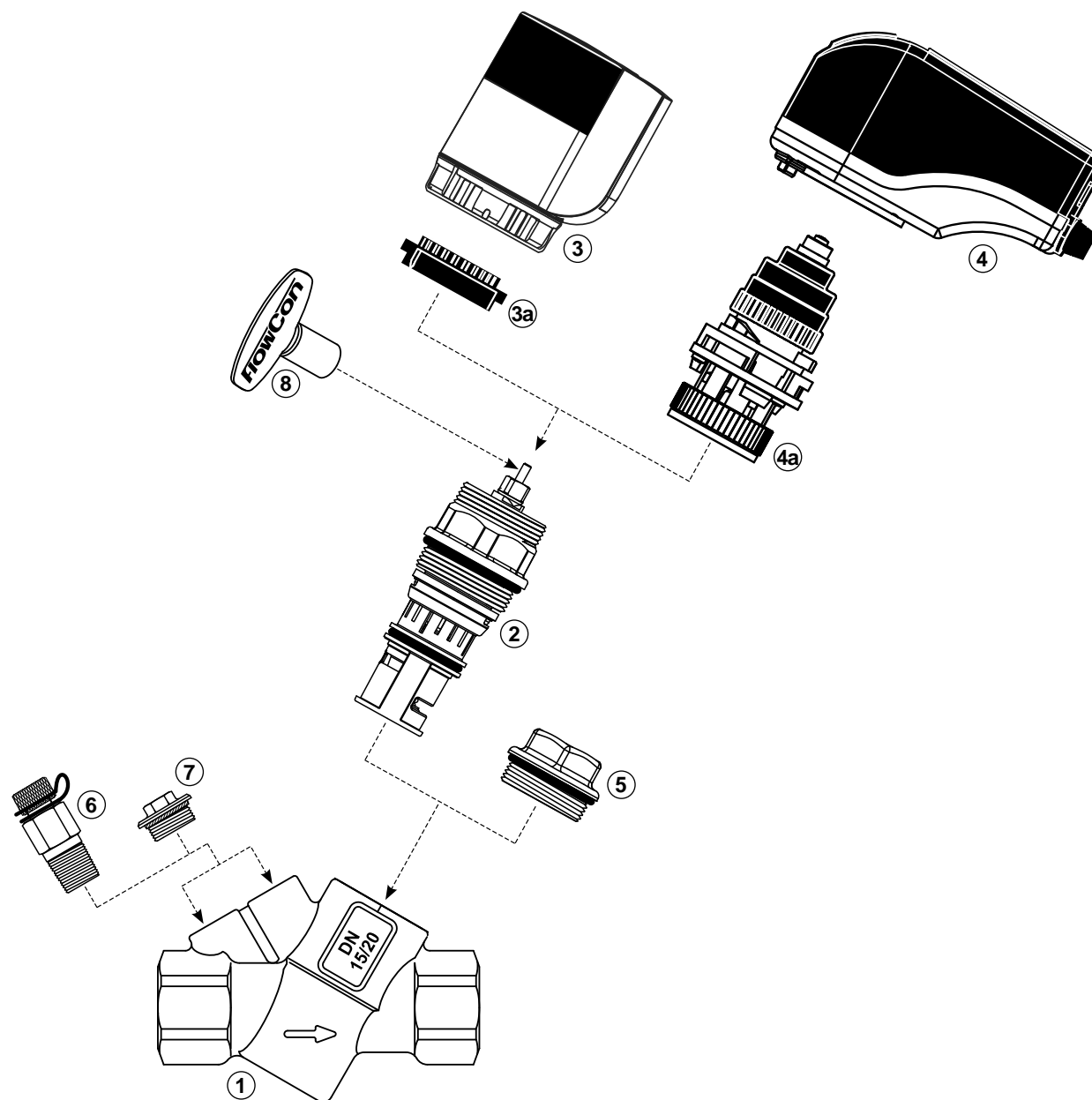
- | | | |
|---|---------|--------------|
| ② | Green.x | Green insert |
|---|---------|--------------|

Actuators

- | | | |
|---|--------|---|
| ③ | FT.x.x | Thermal actuator
incl. (3a) adaptor ring |
| ④ | FN.x.x | Electrical actuator
incl. (4a) valve adaptor |

Accessories

- | | | |
|---|----------------|----------------|
| ⑤ | ACC0080 | Blind cap |
| ⑥ | 2 x ACC00101 | P/t plug |
| ⑦ | 2 x ACC1B03000 | Plug |
| ⑧ | ACC0001 | Adjustment key |



FlowCon Green with ABV1
DN15/20/25 · 1/2", 3/4", 1"

No. Reference no. Description

Valve body

① ABV1 Valve body

Insert

② Green.x Green insert

Actuators

③ FT.x.x Thermal actuator
incl. (3a) adaptor ring

④ FN.x.x Electrical actuator
incl. (4a) valve adaptor

Accessories

⑤ ACC0080 Blind cap

⑥ 1C000xx Male union end conn.
15-25mm (1/2"-1")

⑦ 1C000xx Female union end conn.
15-20mm (1/2"-3/4")

⑧ 1C000xx Sweat union end conn.
15-22mm

⑨ 2 x ACC00101 P/t plug

⑩ 2 x ACC1B03000 Plug

⑪ ACC0001 Adjustment key

