

**FlowCon SME with A**  
**DN15/20/25 · 1/2", 3/4", 1"**

No. Reference no. Description

**Valve bodies**

- |    |         |                        |
|----|---------|------------------------|
| ①  | Axx.l   | Valve body             |
| ①* | A25.l.K | Valve body (not shown) |

**Cartridge**

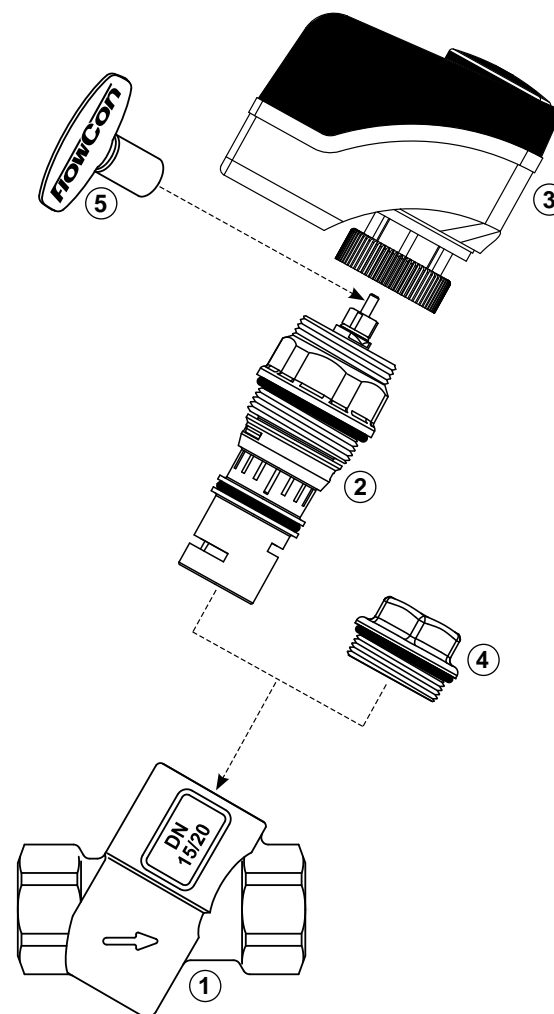
- |   |       |               |
|---|-------|---------------|
| ② | SME.x | SME cartridge |
|---|-------|---------------|

**Actuators**

- |    |        |                                 |
|----|--------|---------------------------------|
| ③  | FM.x.x | Electrical actuator             |
| ③* | FB.x.x | Electrical actuator (not shown) |
| ③* | FT.x.x | Thermal actuator (not shown)    |

**Accessories**

- |   |         |                |
|---|---------|----------------|
| ④ | ACC0080 | Blind cap      |
| ⑤ | ACC0001 | Adjustment key |



**FlowCon SME with AB**  
**DN15/20/25 · 1/2", 3/4", 1"**

No. Reference no. Description

**Valve bodies**

- |    |          |                        |
|----|----------|------------------------|
| ①  | ABxx.I   | Valve body             |
| ①* | AB25.I.K | Valve body (not shown) |

**Cartridge**

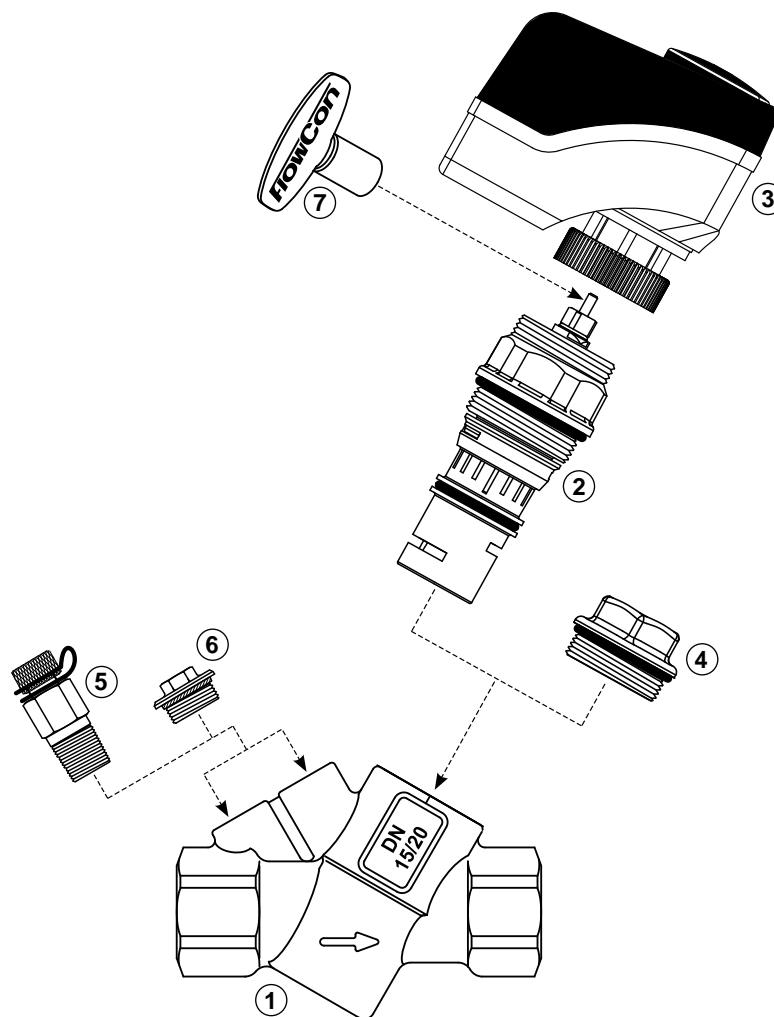
- |   |       |               |
|---|-------|---------------|
| ② | SME.x | SME cartridge |
|---|-------|---------------|

**Actuators**

- |    |        |                                 |
|----|--------|---------------------------------|
| ③  | FM.x.x | Electrical actuator             |
| ③* | FB.x.x | Electrical actuator (not shown) |
| ③* | FT.x.x | Thermal actuator (not shown)    |

**Accessories**

- |   |                |                |
|---|----------------|----------------|
| ④ | ACC0080        | Blind cap      |
| ⑤ | 2 x ACC00101   | P/t plug       |
| ⑥ | 2 x ACC1B03000 | Plug           |
| ⑦ | ACC0001        | Adjustment key |



**FlowCon SME with ABV1**  
**DN15/20/25 · 1/2", 3/4", 1"**

No. Reference no. Description

**Valve body**

① ABV1 Valve body

**Cartridge**

② SME.x SME cartridge

**Actuators**

③ FM.x.x Electrical actuator

③\* FB.x.x Electrical actuator (not shown)

③\* FT.x.x Thermal actuator (not shown)

**Accessories**

④ ACC0080 Blind cap

⑤ 1C000xx Male union end conn. 15-25mm (1/2"-1")

⑥ 1C000xx Female union end conn. 15-20mm (1/2"-3/4")

⑦ 1C000xx Sweat union end conn. 15-22mm

⑧ 2 x ACC00101 P/t plug

⑨ 2 x ACC1B03000 Plug

⑩ ACC0001 Adjustment key

