

FlowCon SH1
DN15/20/25 · 1/2", 3/4", 1"

No. Reference no. Description

Valve body

① SH.1.1.P Valve body incl. plugs

Accessories

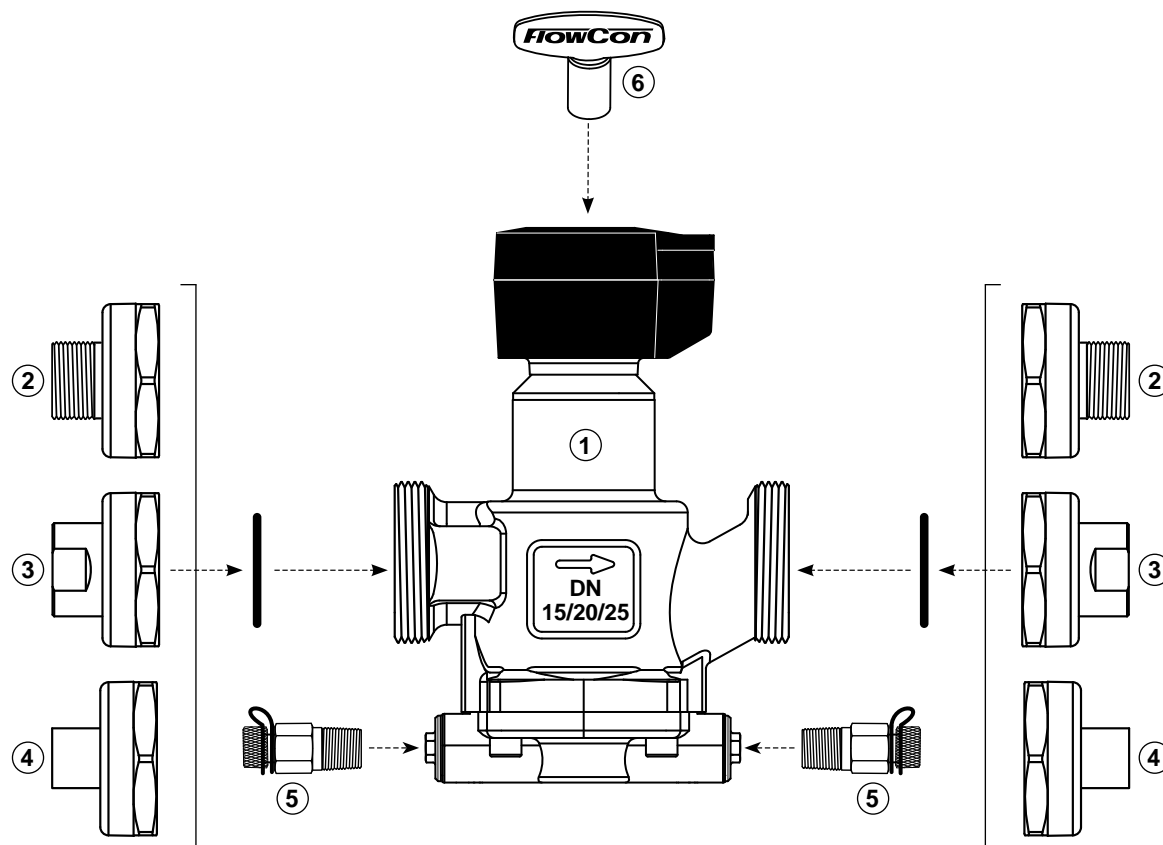
② 1C000xx Male union end conn.
15-25mm (1/2"-1")

③ 1C000xx Female union end conn.
15-20mm (1/2"-3/4")

④ 1C000xx Sweat union end conn.
15-22mm

⑤ 2 x ACC00101 P/t plugs

⑥ ACC0001 Adjustment key



FlowCon SH2
DN25/32/40 · 1", 1 1/4", 1 1/2"

No. Reference no. Description

Valve body

① SH.2.1.P Valve body incl. plugs

Accessories

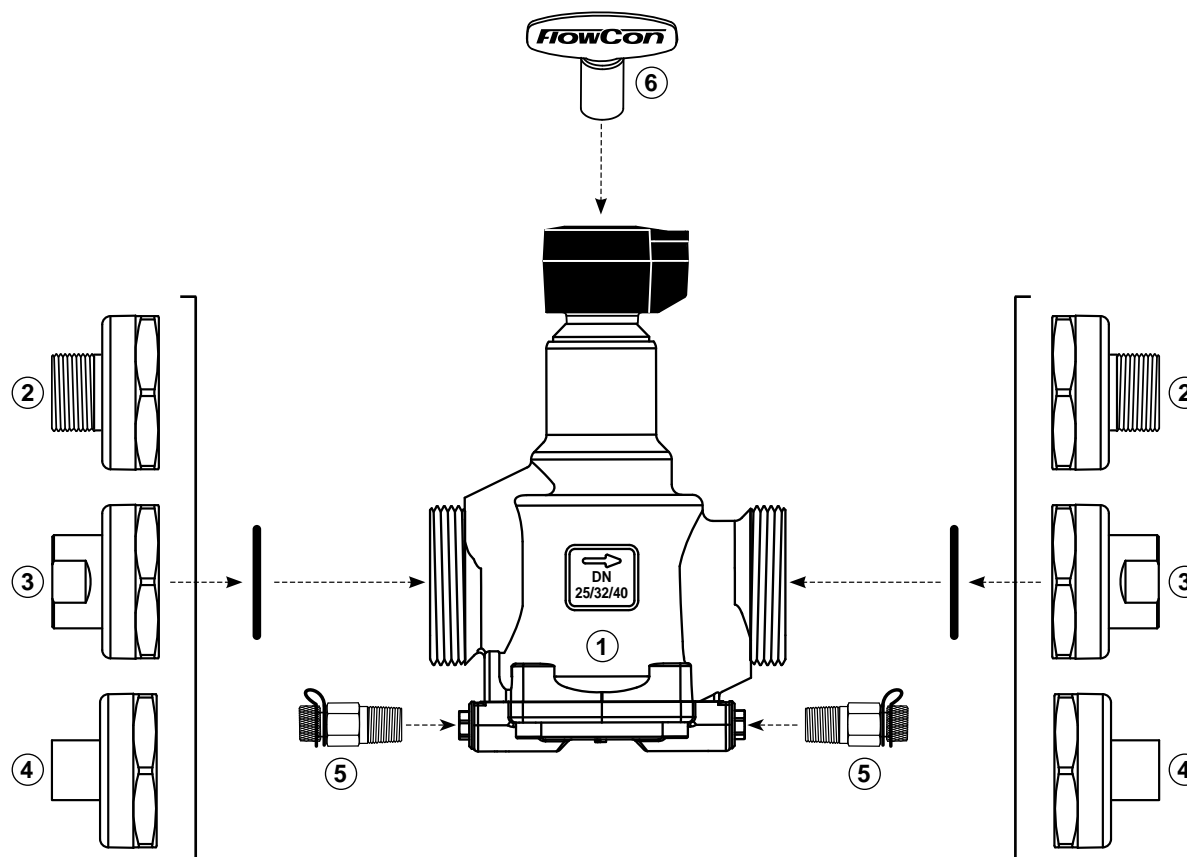
② 1C000xx Male union end conn. 25-40mm (1"-1 1/2")

③ 1C000xx Female union end conn. 25-40mm (1"-1 1/2")

④ 1C000xx Sweat union end conn. 28-35mm

⑤ 2 x ACC00101 P/t plugs

⑥ ACC0001 Adjustment key



FlowCon SH3/SH4/SH5
DN50-150 · 2"-6"

No. Reference no. Description

Valve body

- ① SH3.x.B Valve body
- ② SH4.x.B Valve body
- ③ SH5.x.B Valve body

Actuator

- ④ ACC0001 Adjustment key

