

FlowCon Mini By-Pass Unit

3 Way Mini By-Pass Unit



SPECIFICATIONS

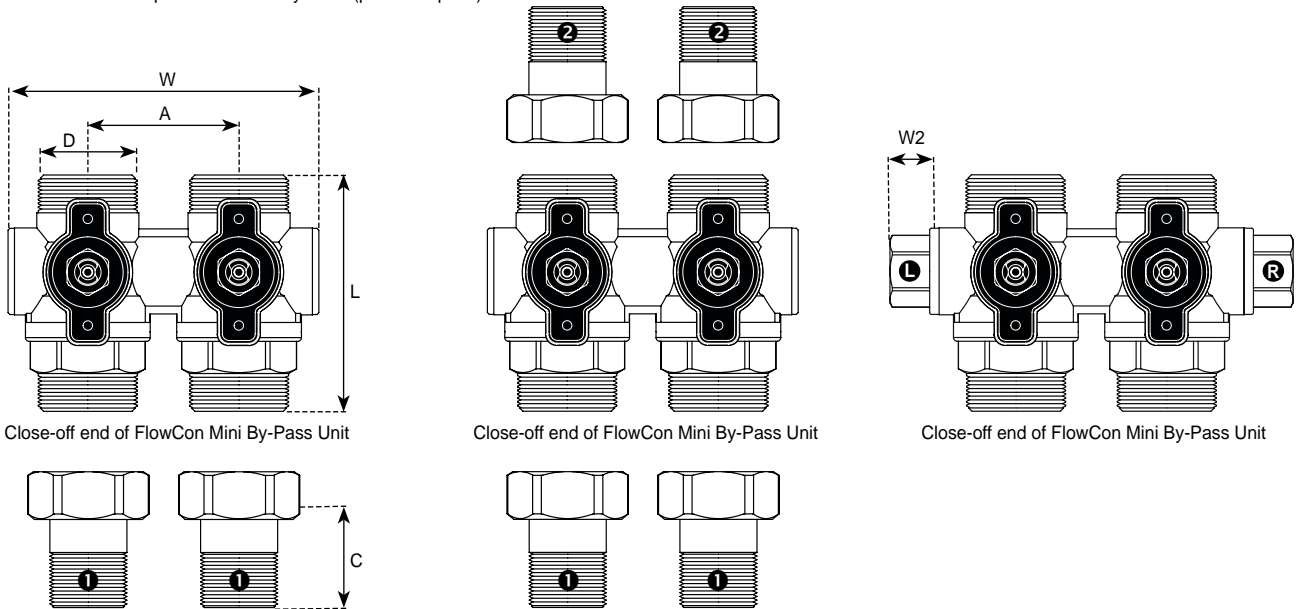
Pressure rating:	2500 kPa / 360 psi
Temperature rating, media:	-20°C to +130°C / -4°F to +266°F
Material:	
- Body:	Forged brass CW617N (tonval brass)
- Balls:	Chemically nickel plated brass
- Ball seals:	PTFE (reinforced Teflon)
- O-rings:	EPDM
End connections:	Fixed: 20mm male ISO suitable for DN15 EuroCone according to EN215, Annex A, Series S Multiple union end connections available

DIMENSIONS AND WEIGHTS (NOMINAL) (measured in mm unless noted)

Model no.	Size D	W	L	A	End connections C ¹					W2 ²	Weight (kgs.) (w/o end conn.)	
					Size	ISO female	ISO male	Compression	Press			Universal
F3895.X.XX.XX.I.X.X.X	G3/4"	84	62.5	40	15	32.7	29.0	9.4	35.6	4.1	11.3	0.5
					18	n/a	n/a					

Note 1: Add end connection length to body length.

Note 2: Add side-option width to body width (per side-option).



MODEL NUMBER SELECTION

Insert by-pass size, fixed end:
 0=20mm male (ISO) suitable for DN15 EuroCone, no union end connections
 2=20mm male (ISO) suitable for DN15 EuroCone, two union end connections
 4=four union end connections

Insert connection size and type, union end³:
 00=no union end connection

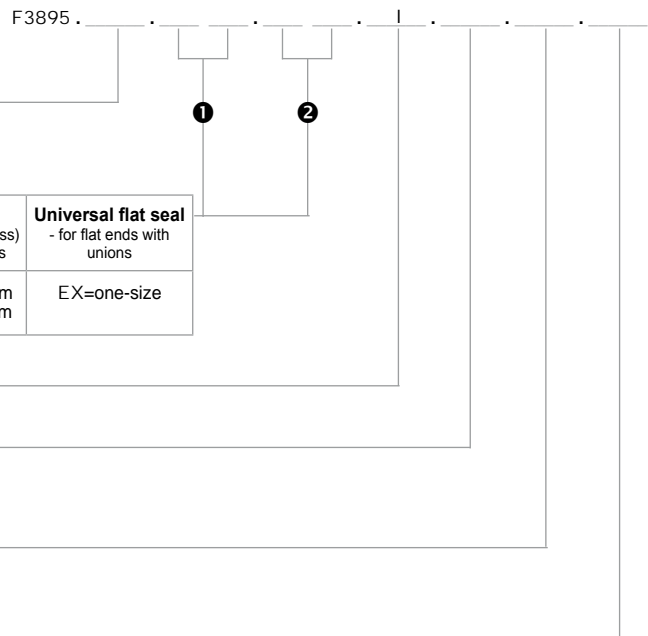
Body size	Female threaded - for ISO male threaded pipes	Male threaded - for ISO female threaded pipes	Compression - for copper or soft steel pipes	Press ⁴ - for (stainless) steel pipes	Universal flat seal - for flat ends with unions
EuroCone end	AG=15mm=1/2"	CG=15mm=1/2"	HG=15mm HR=18mm	FG=15mm FR=18mm	EX=one-size

Insert connection standard:
 I=ISO (standard)

Insert handle type:
 0=normal handles, no extensions (standard)
 E=handles with 4" handle extensions

Insert side-option:
 0=blind (standard)
 R=1/4" ISO female threaded in right-hand side
 L=1/4" ISO female threaded in left-hand side
 B=1/4" ISO female threaded in both sides

Insert requirement to unit
 0=not assembled
 1=assembled
 2=assembled and pressure tested



Example: F3895.2.CG.00.I.0.0.1 = FlowCon Mini By-Pass unit, two 20mm ISO male fixed ends suitable for DN15 EuroCone and two 15mm ISO male union ends, no handle extensions, no side-option, assembled.

Note 3: Other end connections and sizes available upon request.

Note 4: Including universal fitting.

APPLICATION EXAMPLE



FlowCon Mini By-Pass unit with FlowCon Green

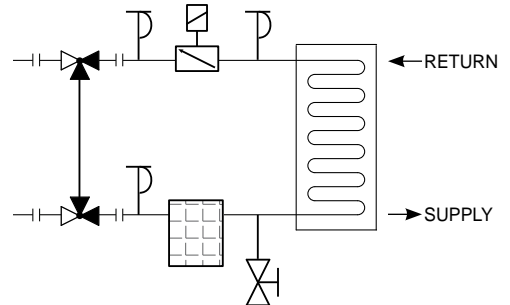
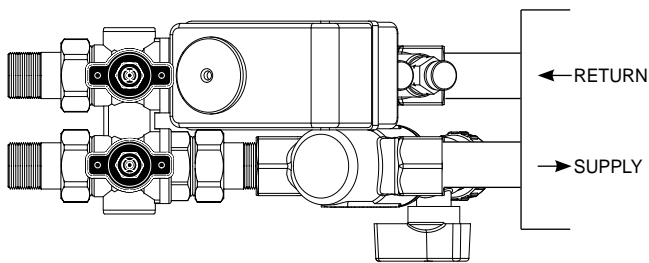


FlowCon Mini By-Pass unit with FlowCon EVC

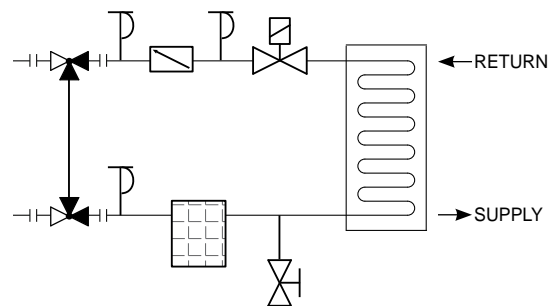
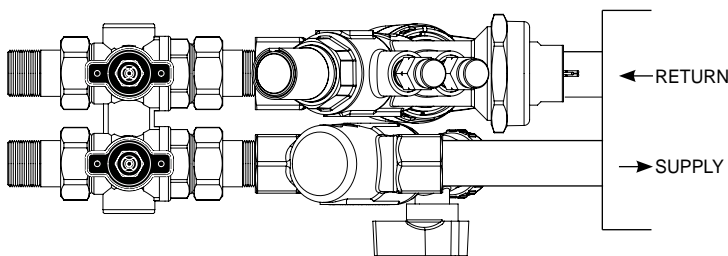


FlowCon Mini By-Pass unit with FlowCon EVS

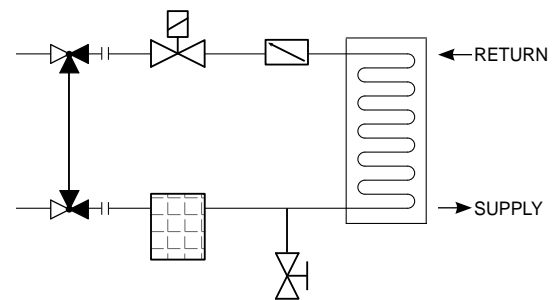
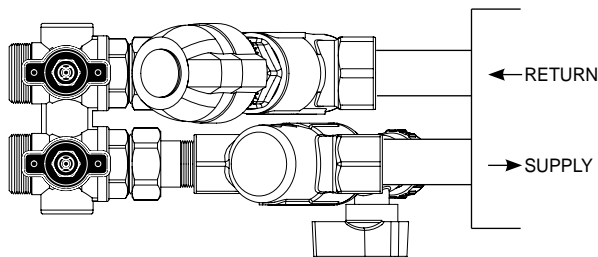
FlowCon Mini By-Pass unit with FlowCon Green



FlowCon Mini By-Pass unit with FlowCon EVC



FlowCon Mini By-Pass unit with FlowCon EVS



UPDATES

FlowCon International can accept no responsibility for possible errors in any printed material. All rights reserved.