

FlowCon Insulation Shells

Insulation shells for FlowCon valves



SPECIFICATIONS

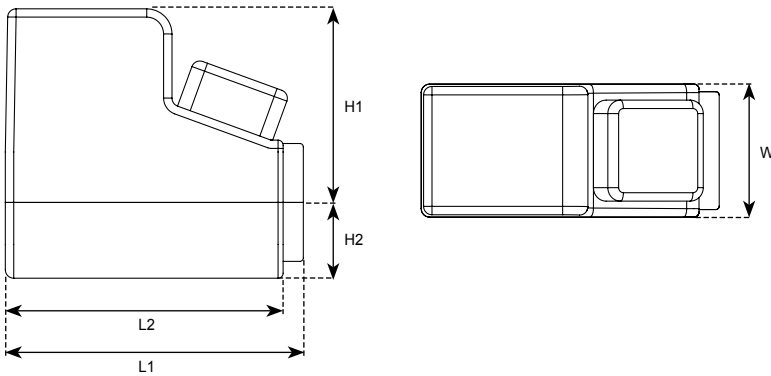
Temperature rating:	-55°C to +105°C / -67°F to +221°F
Material:	EPP (polypropylene foam)
Resistant to:	Water, sea water, glycol, silicone grease, alcohol (ethanol), soaps, deterative solutions (10% Extran MA01), mild acids (10% Nitric acid, 10% Sulfuric acid, 10% Hydrochloric acid).

DIMENSIONS AND WEIGHTS (NOMINAL) (measured in mm unless noted)

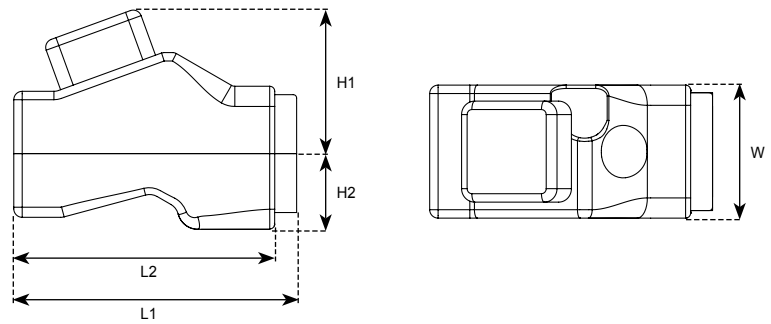
Model no.	Fits	L1	L2	W	H1	H2	Weight (kgs.)
IF3890	F3890.4	120	-	170	63	45	0.06
IA	A 15-25 with: - E-JUST ¹ - Composite ¹ - Stainless steel cartridge in adaptor ¹ - Strainer - Strainer w. drain valve	177	165	79	115	45	0.04
IAB	AB 15-25 small with: - E-JUST ¹ - Composite ¹ - Stainless steel cartridge in adaptor ¹ - Strainer - Strainer w. drain valve	177	165	79	115	45	0.04
IEVC	EVC 15-20 with E-JUST	168	155	79	85	45	0.04
IEVS	A 15-25 with EVS AB 15-25 small with EVS	177	165	79	85	45	0.03
IGreen	A 15-25 with Green.0/1 AB 15-25 small with Green.0/1	177	165	79	85	45	0.03

Note 1: Not applicable if the insulation shell is combined with IF3890.

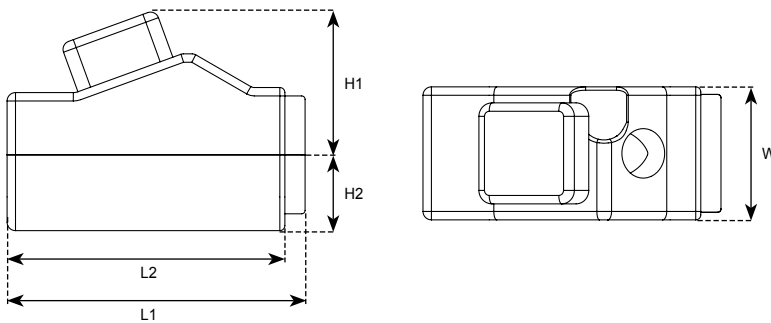
Insulation Shell - FlowCon IA / IAB



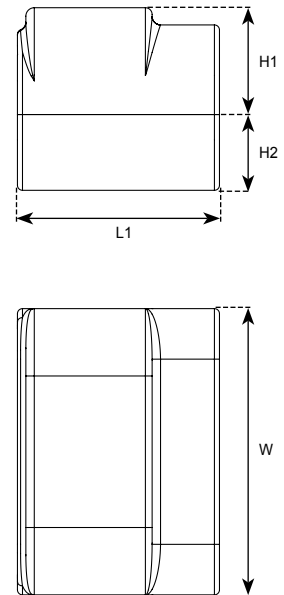
Insulation Shell - FlowCon IEVC



Insulation Shell - FlowCon IEVS



Insulation Shell - FlowCon IF3890



MODEL NUMBER SELECTION

Insert type of valve/valve body:

F3890= for By-Pass unit with 4 unions

A= for A housings with E-JUST² / Composite² / Stainless steel cartridge in adaptor² / Strainer² / Strainer w. drain valve

AB= for AB housings DN15-25 small with E-JUST² / Composite² / Stainless steel cartridge in adaptor² / Strainer / Strainer w. drain valve

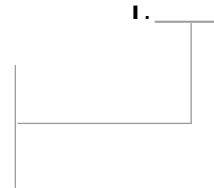
EVC= for EVC housings with E-JUST (alternatively Composite / Stainless steel cartridge in adaptor, but cap not covered)³

EVS= for A / AB housings DN15-25 small with EVS and Stainless steel cartridge³

Green= for A / AB housings DN15-25 small with Green.0/.1³

Note 2: Not to be combined with IF3890.

Note 3: Actuator will be outside the shell.



ACCESSORIES

Spare part p/t plug cap: ACCIPT.

GENERAL DESCRIPTION

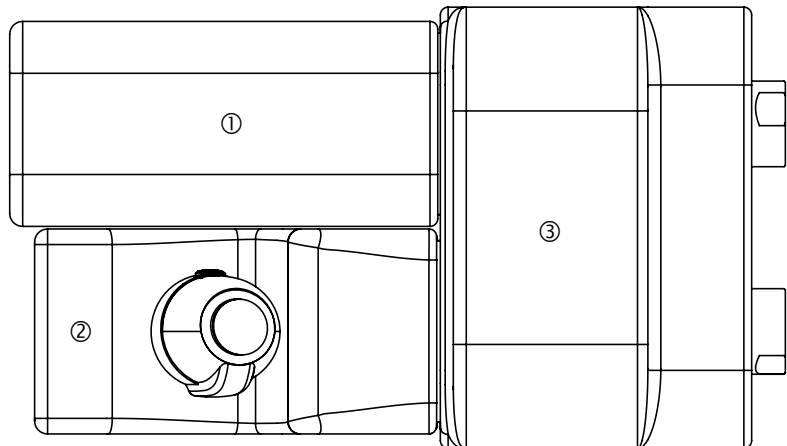
The insulation shells are temperature insulation for FlowCon valves in environments with temperatures very different from the media temperatures in the valves. The insulation shells are easily fitted and removed (if necessary) due to the soft snap function of the foam. All insulation shells for valve housings are also included with the accessory part ACCIPT (for easy access to the optional p/t plugs).

The insulation shells IA (for A-body with strainer / strainer with drain valve), IAB (for AB-body with strainer / strainer with drain valve), IEVC (for EVC-body), IEVS (for EVS-insert w. either A or AB-body) and IGreen (for Green inserts w. either A or AB-body) can be combined with IF3890 (for By-Pass unit) so that there is an overlap between the two parts which will affect the total length.

APPLICATION EXAMPLE

③ IF3890 on By-Pass valve with 4 unions.

- ① IA on A 20mm housing with strainer and drain valve.
Note: IA/IAB can only be fitted on supply side when used together with IF3890.



② IEVC on EVC 20mm housing with E-just and EV actuator.

UPDATES

FlowCon International can accept no responsibility for possible errors in any printed material.
All rights reserved.