

# INSTALLATION AND OPERATION INSTRUCTION

## FlowCon FT.0.2, FT.0.3 and FT.0.4 actuators

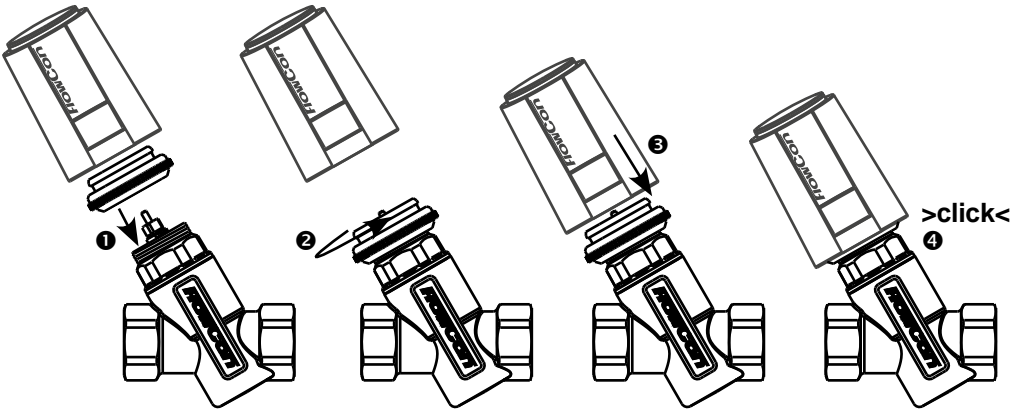
The actuator type **FlowCon FT.0.2** is a thermal modulating actuator, NC. **FlowCon FT.0.3** and **FT.0.4** are thermal ON/OFF actuators, NC.

### Fitting the FlowCon FT actuator:

Actuators are supplied with a separate black colored adaptor ring. First, screw on the adaptor ring finger

tight to the connection thread at the top of the insert. Do not use additional tools (figure 1, ① and ②). For FlowCon FT.0.2 connect the cable before fitting the actuator on to the adaptor ring. FlowCon FT.0.3 and FT.0.4 comes with fixed cable and can be fitted immediately onto the adaptor ring (③). A click noise will indicate that the actuator is fitted correctly (④).

Figure 1



### Removing the FlowCon FT actuator:

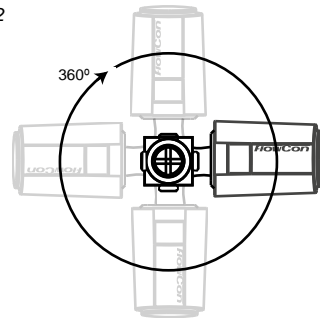
Actuators are equipped with a front push button to activate the release mechanism. When pushed, the actuator is released and can be removed from the adaptor ring. A special feature on the FlowCon FT.0.2 will allow the actuator to become tamper proof as the bush button can be removed for protection.

### Installation of the FlowCon FT actuator:

To ensure that the valve is in an open position during commissioning of the system, all mentioned actuators will be delivered in a Normally Open position and remain in this position until they are electrically operated first time. **FIRST TIME POWERING** requires operating voltage applied for approximately 6 minutes.

Upside down installation is allowed for all FT-actuators along with the standard horizontal and vertical installation (figure 2).

Figure 2



**Connection and actuator wiring:**

For power supply, use safety isolating transformer according to EN 61558-2-6 (Europe) or class II (North America) and for FlowCon FT.0.2 also with a maximum power output of 100VA.

**Warranty obligation:**

Failure to abide by all recommendations as per this installation and operation instruction will void warranty.

Wiring diagram for actuator type FT.0.2 (24V AC), FT.0.3 (230V AC) and FT.0.4 (24V AC/DC) are shown in figure 3.

Figure 3

