

FlowCon By-Pass Unit

3 Way By-Pass Unit



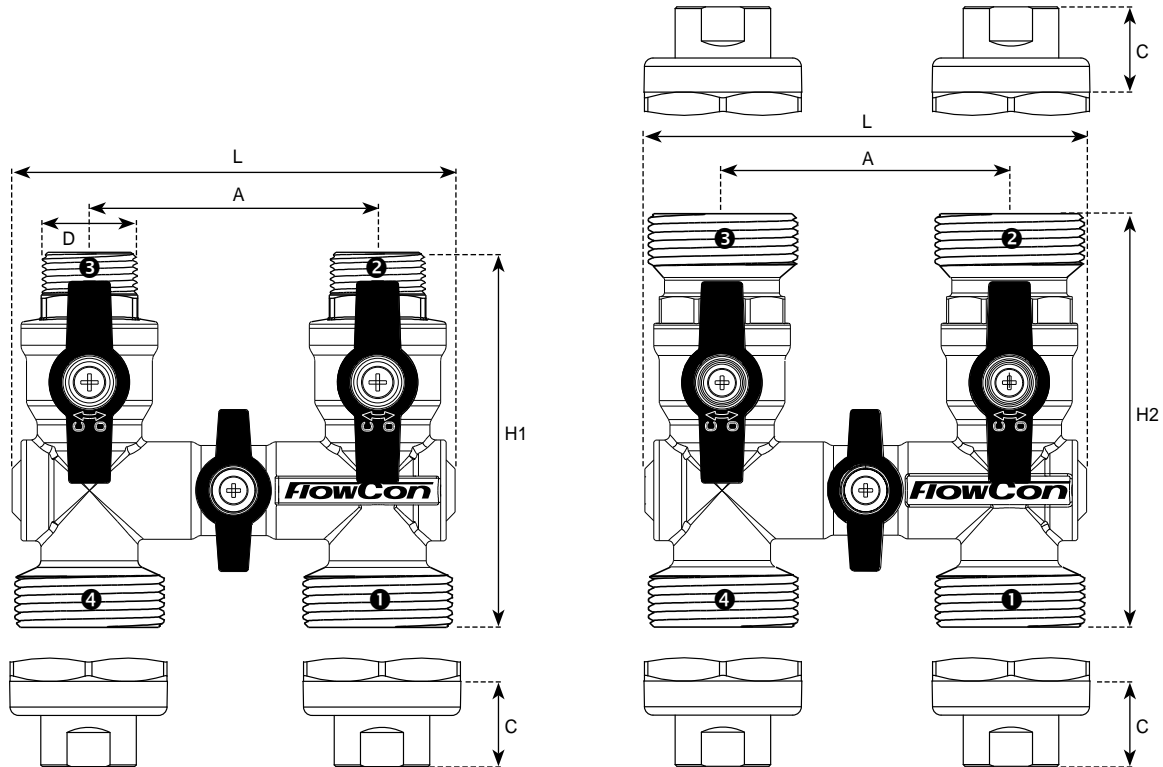
SPECIFICATIONS

Pressure rating:	1000 kPa / 145 psi
Temperature rating, media:	-20°C to +120°C / -4°F to +248°F
Material:	
- Body:	Forged brass ASTM CuZn40Pb2
- Ball valves:	Chemically nickel plated brass balls
- Union end connections:	Brass alloy ISO
- O-rings:	EPDM (70 shore)
End connections:	Fixed end (ISO): 1/2" / 3/4" Union end (ISO/NPT): FlowCon standard: 1/2" / 3/4" / 1" male, 1/2" / 3/4" female

DIMENSIONS AND WEIGHTS (NOMINAL) (measured in mm unless noted)

Model no.	Size D	L	H1	H2	A	End connections C ¹				Weight (kgs.) (w/o end conn.)
						Size	ISO female	ISO male	Sweat	
F3890.1.M.X.H.H.X.X	15	123.5	106,8	-	80.2	15	22	25	20	1.1
F3890.2.M.X.I.I.X.X	20	123.5	104,8	-	80.2	20	22	25	20	1.1
						25	N/A	39	22	1.1
F3890.4.M.X.X.X.X.X	-	123.5	-	114.8	80.2	15	22	25	20	1.2
						20	22	25	20	1.2
						25	N/A	39	22	1.2

Note 1: Add end connection length to body length.



MODEL NUMBER SELECTION

F3890 . . . M

Insert by-pass size, fixed end:
 1=15mm (ISO) 2=20mm (ISO) 4=four union ends connection

Insert connection type, fixed end:
 M=male

Insert connection size and type, union end:

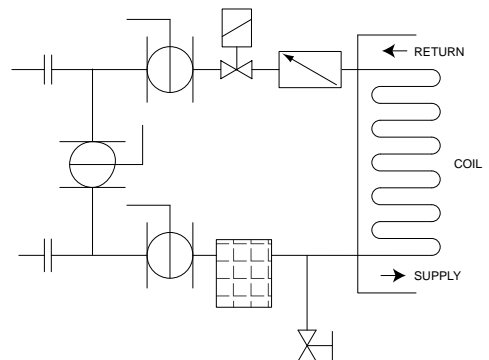
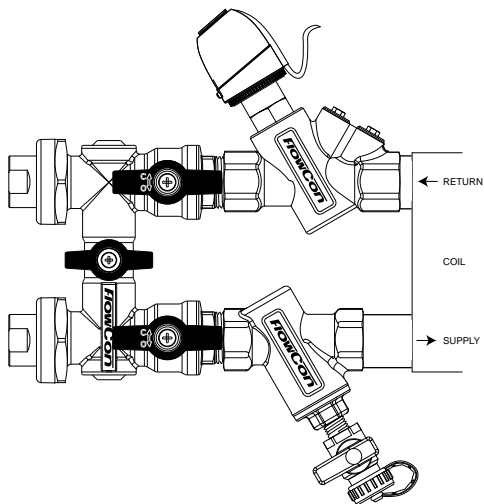
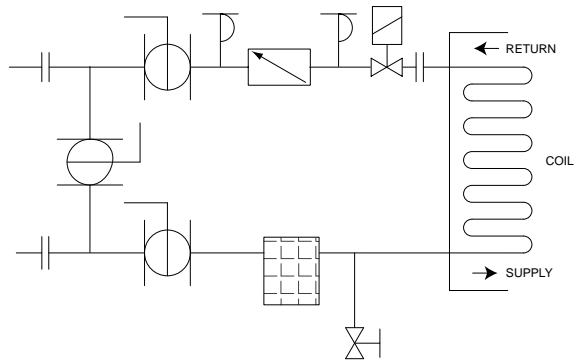
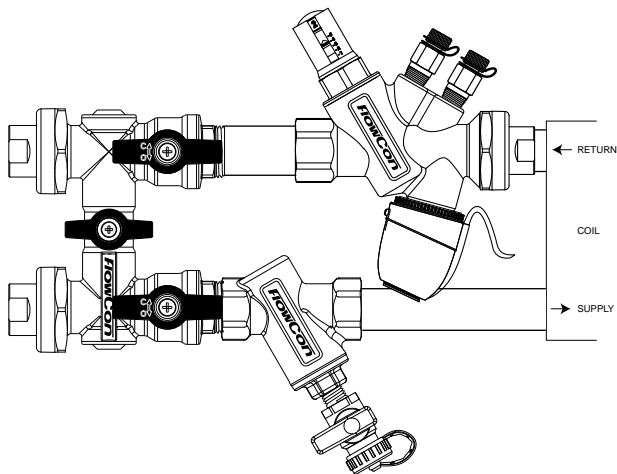
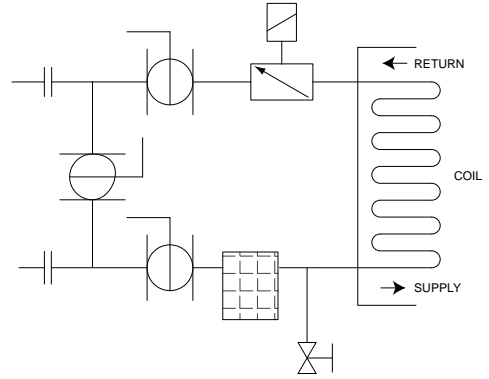
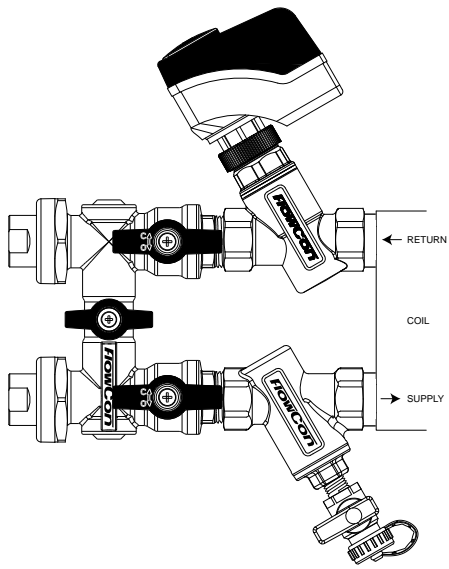
Body size	Female threaded	Male treaded	Sweat
Union end 15-25mm, 1/2"-1"	E=15mm=1/2" F=20mm=3/4"	H=15mm=1/2" I=20mm=3/4" J=25mm=1"	K=15mm L=18mm M=22mm

Insert connection standard:
 I=ISO (standard) N=NPT (not available for fixed ends)

O=not assembled
 1=assembled
 2=assembled and pressure tested

Example: F3890.1.M.H.H.H.H.I.0=By-pass unit, fixed end 15mm ISO male and union end 15mm ISO male, not assembled.

APPLICATION EXAMPLE



UPDATES

FlowCon International A/S can accept no responsibility for possible errors in any printed material.
All rights reserved.