



Air Conditioning Technical Data RXA-A9



TABLE OF CONTENTS

RXA-A9

1	Features	4
	RXA-A9	4
2	Specifications	5
3	Electrical data	26
4	Capacity tables	27
	Cooling Capacity Tables	27
5	Dimensional drawings	29
6	Centre of gravity	30
7	Piping diagrams	31
8	Wiring diagrams	32
	Wiring Diagrams - Single Phase	32
9	Sound data	33
	Sound Pressure Spectrum	33
10	Installation	35
	Installation Method	35
11	Operation range	36

1 Features

1 - 1 RXA-A9

- › Choosing for an R-32 product, reduces the environmental impact with 68% compared to R-410A and leads directly to lower energy consumption thanks to its high energy efficiency
- › Outdoor units are fitted with a swing compressor, renowned for its low noise and high energy efficiency
- › Outdoor units for pair application

1

Outdoor
unit silent
operation

2 Specifications

1 - 1 RXA-A9

Technical specifications				FTXA20AS + RXA20A9		FTXA25AS + RXA25A9		FTXA35AS + RXA35A9			
Indoor unit				FTXA20A2V1BS		FTXA25A2V1BS		FTXA35A2V1BS			
Outdoor unit				RXA20A5V1B9		RXA25A5V1B9		RXA35A5V1B9			
Cooling capacity	Min.	kW		1.30				1.40			
		Btu/h		4,400				4,800			
		kcal/h		1,120				1,200			
	Nom.	kW		2.00		2.50		3.40			
		Btu/h		6,800		8,500		11,600			
		kcal/h		1,720		2,150		2,920			
	Max.	kW		2.60		3.20		4.00			
		Btu/h		8,900		10,900		13,600			
		kcal/h		2,240		2,750		3,440			
Cooling capacity - Low sound mode (Stb. 2020, 189)	Min.	kW		1.30				1.40			
		Btu/h		4,400				4,800			
		kcal/h		1,120				1,200			
	Nom.	kW		2.00		2.50		3.40			
		Btu/h		6,800		8,500		11,600			
		kcal/h		1,720		2,150		2,920			
	Max.	kcal/h				-					
		Heating capacity	Min.	kW		1.30				1.40	
				Btu/h		4,400				4,800	
kcal/h				1,120				1,200			
Nom.	kW			2.50		2.80		4.00			
	Btu/h			8,500		9,600		13,600			
	kcal/h			2,150		2,410		3,440			
Max.	kW			3.50		4.70		5.20			
	Btu/h			11,900		16,000		17,700			
	kcal/h			3,010		4,040		4,470			
Heating capacity - Low sound mode (Stb. 2020, 189)	Min.	kW		1.30 /1,120				1.40 /1,200			
		Btu/h		4,400				4,800			
	Nom.	kW		2.50		2.80		4.00			
		Btu/h		8,500		9,600		13,600			
		kcal/h		2,150		2,410		3,440			
Power input	Cooling	Min.	kW		0.27				0.31		
			kW		0.43		0.56		0.78		
			kW		0.63		0.78		1.04		
	Heating	Min.	kW		0.25				0.26		
			Nom.	kW		0.50		0.56		0.99	
				kW		0.91		1.22		1.67	
Power input - Low sound mode (Stb. 2020, 189)	Cooling	Min.	kW		0.27				0.31		
			kW		0.43		0.56		0.78		
			kW		0.50		0.56		0.99		
	Heating	Min.	kW		0.25				0.26		
			Nom.	kW		0.50		0.56		0.99	
				kW		0.91		1.22		1.67	
Nominal efficiency	EER			4.70		4.46		4.37			
		COP				5.00		4.04			
	Energy labeling Directive	Cooling					A				
		Heating					A				
Nominal efficiency - Low sound mode (Stb. 2020, 189)	EER			4.65		4.42		4.37			
		COP				5.00					
Space cooling	Energy efficiency class						A+++				
	Capacity Pdesign	kW		2.00		2.50		3.40			
		SEER		8.75		8.74		8.73			
		Annual energy consumption	kWh/a	80		100		136			
Space cooling - Low sound mode (Stb. 2020, 189)	Capacity Pdesign	kW		2.00		2.50		3.40			
		SEER				8.73					
		Annual energy consumption	kWh/a	80		100		136			
Space heating (Average climate)	Capacity Pdesign		kW		2.40		2.45		2.50		
	Energy efficiency class						A+++				
	SCOP/A						5.15				
	SCOPnet/A			5.19		5.18					
	Pdh Heating capacity at -10°	kW		2.19		2.30		2.36			
	Annual energy consumption	kWh/a		653		666		680			
	Required back up heating cap at design conditions	kW		0.21		0.15		0.14			
	Space heating (Average climate) - Low sound mode (Stb. 2020, 189)	Capacity Pdesign		kW		2.40		2.45		2.50	
		SCOP/A						5.00			
SCOPnet/A			5.04		5.03						
Pdh Heating capacity at -10°		kW		2.19		2.30		2.36			
Annual energy consumption		kWh/a		672		686		700			
Required back up heating cap at design conditions		kW		0.21		0.15		0.14			

2 Specifications

1 - 1 RXA-A9

2

Technical specifications			FTXA20AS + RXA20A9	FTXA25AS + RXA25A9	FTXA35AS + RXA35A9	
Space heating (Warm climate)	Capacity Pdesignh	kW	1.75	1.87	2.00	
	Energy efficiency class		A+++			
	SCOP		6.26		6.28	
	SCOPnet		6.42			
	Annual energy consumption	kWh/a	392	418	446	
Space heating (Warm climate)	Required back up heating cap at design conditions	kW	0.00			
Space heating (Warm climate) - Low sound mode (Stb. 2020, 189)	Capacity Pdesign	kW	1.75	1.87	2.00	
	SCOP		6.25		6.27	
	SCOPnet		6.41	6.40	6.41	
	Annual energy consumption	kWh/a	392	419	447	
	Required back up heating cap at design conditions	kW	0.00			
Space cooling	A Condi- tion (35°C - 27/19)	Pdc	2.00	2.50	3.40	
		EERd	4.70	4.46	4.37	
		Power input	0.43	0.56	0.78	
	B Condi- tion (30°C - 27/19)	Pdc	1.47	1.84	2.51	
		EERd	6.96	6.79	6.28	
		Power input	0.21	0.27	0.40	
	C Condi- tion (25°C - 27/19)	Pdc	0.95	1.18	1.61	
		EERd	10.37	10.35	10.58	
		Power input	0.09	0.11	0.15	
	D Condi- tion (20°C - 27/19)	Pdc	1.27	1.29	1.33	
		EERd	16.36	16.30	16.21	
		Power input		0.08		
	Space cooling - Low sound mode (Stb. 2020, 189)	A Condi- tion (35°C - 27/19)	Pdc	2.00	2.50	3.40
			EERd	4.65	4.42	4.37
			Power input	0.43	0.57	0.78
B Condi- tion (30°C - 27/19)		Pdc	1.47	1.84	2.51	
		EERd	6.92	6.78	6.28	
		Power input	0.21	0.27	0.40	
C Condi- tion (25°C - 27/19)		Pdc	0.95	1.18	1.61	
		EERd	10.37	10.35	10.58	
		Power input	0.09	0.11	0.15	
D Condi- tion (20°C - 27/19)		Pdc	1.27	1.29	1.33	
		EERd	16.36	16.30	16.21	
		Power input		0.08		
Space heating (Average climate)		TOL	Tol (temperature operating limit)	-15		
			Pdh (declared heating cap)	2.31	2.52	2.62
			COPd (declared COP)	2.48	2.36	2.30
	Power input		0.93	1.07	1.14	
	TBivalent	Tbiv (bivalent temperature)	-7			
		Pdh (declared heating cap)	2.12	2.17	2.21	
		COPd (declared COP)	3.56	3.59	3.58	
Space heating (Average climate)	TBivalent	Power input	0.60		0.62	
		A Condi- tion (-7°C)	Pdh (declared heating cap)	2.12	2.17	2.21
			COPd (declared COP)	3.56	3.59	3.58
	B Condi- tion (2°C)	Power input	0.60		0.62	
		Pdh (declared heating cap)	1.29	1.32	1.35	
		COPd (declared COP)	5.24	5.22	5.19	
	C Condi- tion (7°C)	Power input	0.25		0.26	
		Pdh (declared heating cap)	0.92	0.94		
		COPd (declared COP)	6.27	6.25	6.19	
	D Condi- tion (12°C)	Power input	0.15			
		Pdh (declared heating cap)	1.10			
		COPd (declared COP)	8.05	8.02	7.97	
		Power input	0.14			

2 Specifications

1 - 1 RXA-A9

Technical specifications				FTXA20AS + RXA20A9	FTXA25AS + RXA25A9	FTXA35AS + RXA35A9	
Space heating (Average climate) - Low sound mode (Stb. 2020, 189)	TOL	Tol (temperature operating limit) °C		-15			
		Pdh (declared heating cap) kW	2.31	2.52	2.62		
		COPd (declared COP)	2.31	2.21	2.18		
	TBivalent	Power input kW		1.00	1.14	1.20	
		Tbiv (bivalent temperature) °C	-7				
		Pdh (declared heating cap) kW	2.12	2.17	2.21		
	A Condi- tion (-7°C)	COPd (declared COP)		3.32	3.35	3.34	
		Power input kW		0.64		0.66	
		Pdh (declared heating cap) kW	2.12	2.17	2.21		
	B Condi- tion (2°C)	COPd (declared COP)		3.32	3.35	3.34	
		Power input kW		0.64		0.66	
		Pdh (declared heating cap) kW	1.29	1.32	1.35		
	C Condi- tion (7°C)	COPd (declared COP)		5.06	5.04	5.02	
		Power input kW		0.25	0.26	0.27	
		Pdh (declared heating cap) kW	0.92	0.94		6.19	
D Condi- tion (12°C)	COPd (declared COP)		6.27	6.25	6.19		
	Power input kW		0.15				
	Pdh (declared heating cap) kW	1.10			7.97		
Space heating (Warm climate)	TOL	Tol (temperature operating limit) °C		-15			
		Pdh (declared heating cap) kW	2.31	2.52	2.62		
		COPd (declared COP)	2.48	2.36	2.30		
Space heating (Warm climate)	TBivalent	Power input kW		0.93	1.07	1.14	
		Tbiv (bivalent temperature) °C	2				
		Pdh (declared heating cap) kW	1.75	1.87	2.00		
	B Condi- tion (2°C)	COPd (declared COP)		4.76	4.67	4.64	
		Power input kW		0.37	0.40	0.43	
		Pdh (declared heating cap) kW	1.75	1.87	2.00		
	C Condi- tion (7°C)	COPd (declared COP)		4.76	4.67	4.64	
		Power input kW		0.37	0.40	0.43	
		Pdh (declared heating cap) kW	1.16	1.20	1.29		
	D Condi- tion (12°C)	COPd (declared COP)		6.15	6.12	6.11	
		Power input kW		0.19	0.20	0.21	
		Pdh (declared heating cap) kW	1.10			7.97	
	Space heating (Warm climate) - Low sound mode (Stb. 2020, 189)	TOL	Tol (temperature operating limit) °C		-15		
			Pdh (declared heating cap) kW	2.31	2.52	2.62	
			COPd (declared COP)	2.31	2.21	2.18	
Power consump- tion in other than active mode	TBivalent	Power input kW		1.00	1.14	1.20	
		Tbiv (bivalent temperature) °C	2				
		Pdh (declared heating cap) kW	1.75	1.87	2.00		
	B Condi- tion (2°C)	COPd (declared COP)		4.59	4.51	4.49	
		Power input kW		0.38	0.41	0.45	
		Pdh (declared heating cap) kW	1.75	1.87	2.00		
	C Condi- tion (7°C)	COPd (declared COP)		4.59	4.51	4.49	
		Power input kW		0.38	0.41	0.45	
		Pdh (declared heating cap) kW	1.16	1.20	1.29		
	D Condi- tion (12°C)	COPd (declared COP)		6.15	6.12	6.11	
		Power input kW		0.19	0.20	0.21	
		Pdh (declared heating cap) kW	1.10			7.97	
	Power consump- tion in other than active mode	Crankcase heater mode	PCK	W	0.0		
		Off mode	POFF	W	0.5		
		Standby mode	Cooling	PSB	W	0.5	
Heating			PSB	W	0.5		
Thermo- stat-off mode		PTO	Cooling	W	7		
	Heating		W	13			
Cooling	Cdc (Degradation cooling)			0.25			
Heating	Cdh (Degradation heating)			0.25			
Cooling function included				Yes			
Heating function included				Yes			
Average climate included				Yes			
Cold season included				No			
Warm season included				Yes			
Ecolabel logo				No			

2 Specifications

1 - 1 RXA-A9

2

Technical specifications					FTXA20AS + RXA20A9	FTXA25AS + RXA25A9	FTXA35AS + RXA35A9
Eurovent	Sound power level outdoor	Cooling	Nom.	dBa	59		61
		Cooling	Nom.	dBa	57		60
	Piping length	Cooling	Measuring condition	m	5.0		

Electrical specifications				FTXA20AS + RXA20A9	FTXA25AS + RXA25A9	FTXA35AS + RXA35A9
Power factor	Nominal	Cooling	%	91.73	93.94	95.64
		Heating	%	93.11	93.94	98.09
Current	Nominal running current (RLA) - 50Hz	Heating	A	2.3	2.6	4.4
		Cooling	A	2.0	2.6	3.6

Technical specifications				FTXA20AT + RXA20A9	FTXA25AT + RXA25A9	FTXA35AT + RXA35A9	
Indoor unit				FTXA20A2V1BT	FTXA25A2V1BT	FTXA35A2V1BT	
Outdoor unit				RXA20A5V1B9	RXA25A5V1B9	RXA35A5V1B9	
Cooling capacity	Min.		kW	1.30		1.40	
			Btu/h	4,400		4,800	
			kcal/h	1,120		1,200	
	Nom.		kW	2.00	2.50	3.40	
			Btu/h	6,800	8,500	11,600	
			kcal/h	1,720	2,150	2,920	
	Max.		kW	2.60	3.20	4.00	
			Btu/h	8,900	10,900	13,600	
			kcal/h	2,240	2,750	3,440	
Cooling capacity - Low sound mode (Stb. 2020, 189)	Min.		kW	1.30		1.40	
			Btu/h	4,400		4,800	
			kcal/h	1,120		1,200	
	Nom.		kW	2.00	2.50	3.40	
			Btu/h	6,800	8,500	11,600	
			kcal/h	1,720	2,150	2,920	
Max.		kcal/h	-				
Heating capacity	Min.		kW	1.30		1.40	
			Btu/h	4,400		4,800	
			kcal/h	1,120		1,200	
	Nom.		kW	2.50	2.80	4.00	
			Btu/h	8,500	9,600	13,600	
			kcal/h	2,150	2,410	3,440	
	Max.		kW	3.50	4.70	5.20	
			Btu/h	11,900	16,000	17,700	
			kcal/h	3,010	4,040	4,470	
Heating capacity - Low sound mode (Stb. 2020, 189)	Min.		kW	1.30 / 1,120		1.40 / 1,200	
			Btu/h	4,400		4,800	
	Nom.		kW	2.50	2.80	4.00	
			Btu/h	8,500	9,600	13,600	
Power input	Cooling	Min.	kW	0.27		0.31	
		Nom.	kW	0.43	0.56	0.78	
		Max.	kW	0.63	0.78	1.04	
Power input	Heating	Min.	kW	0.25		0.26	
		Nom.	kW	0.50	0.56	0.99	
		Max.	kW	0.91	1.22	1.67	
Power input - Low sound mode (Stb. 2020, 189)	Cooling	Min.	kW	0.27		0.31	
		Nom.	kW	0.43	0.56	0.78	
	Heating	Min.	kW	0.25		0.26	
		Nom.	kW	0.50	0.56	0.99	
Nominal efficiency	EER	Cooling		4.70	4.46	4.37	
			COP		5.00		4.04
				Energy labeling Directive		A	
Nominal efficiency - Low sound mode (Stb. 2020, 189)	EER	Cooling		4.65	4.42	4.37	
			COP		5.00		
Space cooling	Energy efficiency class	Capacity Pdesign	kW	A+++			
					2.00	2.50	3.40
				SEER	8.75	8.74	8.73
				Annual energy consumption	kWh/a	80	100

2 Specifications

1 - 1 RXA-A9

Technical specifications				FTXA20AT + RXA20A9	FTXA25AT + RXA25A9	FTXA35AT + RXA35A9
Space cooling -	Capacity	Pdesign	kW	2.00	2.50	3.40
Low sound mode	SEER				8.73	
(Stb. 2020, 189)	Annual energy consumption		kWh/a	80	100	136
Space heating	Capacity	Pdesign	kW	2.40	2.45	2.50
(Average climate)	Energy efficiency class				A+++	
	SCOP/A				5.15	
	SCOPnet/A			5.19		5.18
	Pdh Heating capacity at -10°		kW	2.19	2.30	2.36
	Annual energy consumption		kWh/a	653	666	680
	Required back up heating cap at design conditions		kW	0.21	0.15	0.14
Space heating	Capacity	Pdesign	kW	2.40	2.45	2.50
(Average climate)	SCOP/A				5.00	
- Low sound mode	SCOPnet/A			5.04		5.03
(Stb. 2020, 189)	Pdh Heating capacity at -10°		kW	2.19	2.30	2.36
	Annual energy consumption		kWh/a	672	686	700
	Required back up heating cap at design conditions		kW	0.21	0.15	0.14
Space heating	Capacity	Pdesign	kW	1.75	1.87	2.00
(Warm climate)	Energy efficiency class				A+++	
	SCOP			6.26		6.28
	SCOPnet				6.42	
	Annual energy consumption		kWh/a	392	418	446
Space heating	Required back up heating cap at design conditions		kW		0.00	
(Warm climate)						
Space heating	Capacity	Pdesign	kW	1.75	1.87	2.00
(Warm climate) -	SCOP			6.25		6.27
Low sound mode	SCOPnet			6.41	6.40	6.41
(Stb. 2020, 189)	Annual energy consumption		kWh/a	392	419	447
	Required back up heating cap at design conditions		kW		0.00	
Space cooling	A Condi- tion (35°C - 27/19)	Pdc EERd Power input	kW	2.00 4.70 0.43	2.50 4.46 0.56	3.40 4.37 0.78
	B Condi- tion (30°C - 27/19)	Pdc EERd Power input	kW	1.47 6.96 0.21	1.84 6.79 0.27	2.51 6.28 0.40
	C Condi- tion (25°C - 27/19)	Pdc EERd Power input	kW	0.95 10.37 0.09	1.18 10.35 0.11	1.61 10.58 0.15
	D Condi- tion (20°C - 27/19)	Pdc EERd Power input	kW	1.27 16.36 0.08	1.29 16.30 0.08	1.33 16.21 0.08
Space cooling -	A Condi- tion (35°C - 27/19)	Pdc EERd Power input	kW	2.00 4.65 0.43	2.50 4.42 0.57	3.40 4.37 0.78
Low sound mode	B Condi- tion (30°C - 27/19)	Pdc EERd Power input	kW	1.47 6.92 0.21	1.84 6.78 0.27	2.51 6.28 0.40
(Stb. 2020, 189)	C Condi- tion (25°C - 27/19)	Pdc EERd Power input	kW	0.95 10.37 0.09	1.18 10.35 0.11	1.61 10.58 0.15
	D Condi- tion (20°C - 27/19)	Pdc EERd Power input	kW	1.27 16.36 0.08	1.29 16.30 0.08	1.33 16.21 0.08
Space heating	TOL	Tol (temperature operating limit)	°C		-15	
(Average climate)		Pdh (declared heating cap)	kW	2.31	2.52	2.62
		COPd (declared COP)		2.48	2.36	2.30
		Power input	kW	0.93	1.07	1.14
	TBivalent	Tbiv (bivalent temperature)	°C		-7	
		Pdh (declared heating cap)	kW	2.12	2.17	2.21
		COPd (declared COP)		3.56	3.59	3.58

2 Specifications

1 - 1 RXA-A9

2

Technical specifications				FTXA20AT + RXA20A9	FTXA25AT + RXA25A9	FTXA35AT + RXA35A9		
Space heating (Average climate)	TBivalent	Power input	kW	0.60		0.62		
		A Condition (-7°C)	Pdh (declared heating cap)	kW	2.12	2.17	2.21	
			COPd (declared COP)		3.56	3.59	3.58	
	B Condition (2°C)	Power input	kW	0.60		0.62		
		Pdh (declared heating cap)	kW	1.29	1.32	1.35		
		COPd (declared COP)		5.24	5.22	5.19		
	C Condition (7°C)	Power input	kW	0.25		0.26		
		Pdh (declared heating cap)	kW	0.92	0.94			
		COPd (declared COP)		6.27	6.25	6.19		
	D Condition (12°C)	Power input	kW			0.15		
		Pdh (declared heating cap)	kW			1.10		
		COPd (declared COP)		8.05	8.02	7.97		
Space heating (Average climate) - Low sound mode (Stb. 2020, 189)	TOL	Tol (temperature operating limit)	°C	-15				
		TBivalent	Pdh (declared heating cap)	kW	2.31	2.52	2.62	
			COPd (declared COP)		2.31	2.21	2.18	
	Power input		kW	1.00	1.14	1.20		
	TBivalent	Tbiv (bivalent temperature)	°C	-7				
		A Condition (-7°C)	Pdh (declared heating cap)	kW	2.12	2.17	2.21	
			COPd (declared COP)		3.32	3.35	3.34	
	B Condition (2°C)	Power input	kW	0.64		0.66		
		Pdh (declared heating cap)	kW	1.29	1.32	1.35		
		COPd (declared COP)		5.06	5.04	5.02		
	C Condition (7°C)	Power input	kW	0.25		0.27		
		Pdh (declared heating cap)	kW	0.92	0.94			
		COPd (declared COP)		6.27	6.25	6.19		
	D Condition (12°C)	Power input	kW			0.15		
		Pdh (declared heating cap)	kW			1.10		
		COPd (declared COP)		8.05	8.02	7.97		
	Space heating (Warm climate)	TOL	Tol (temperature operating limit)	°C	-15			
			TBivalent	Pdh (declared heating cap)	kW	2.31	2.52	2.62
COPd (declared COP)					2.48	2.36	2.30	
Power input	kW	0.93		1.07	1.14			
Space heating (Warm climate)	TBivalent	Tbiv (bivalent temperature)	°C	2				
		A Condition (-7°C)	Pdh (declared heating cap)	kW	1.75	1.87	2.00	
			COPd (declared COP)		4.76	4.67	4.64	
	B Condition (2°C)	Power input	kW	0.37		0.43		
		Pdh (declared heating cap)	kW	1.75	1.87	2.00		
		COPd (declared COP)		4.76	4.67	4.64		
	C Condition (7°C)	Power input	kW	0.37		0.43		
		Pdh (declared heating cap)	kW	1.16	1.20	1.29		
		COPd (declared COP)		6.15	6.12	6.11		
	D Condition (12°C)	Power input	kW	0.19		0.21		
		Pdh (declared heating cap)	kW			1.10		
		COPd (declared COP)		8.05	8.02	7.97		
	Space heating (Warm climate) - Low sound mode (Stb. 2020, 189)	TOL	Tol (temperature operating limit)	°C	-15			
			TBivalent	Pdh (declared heating cap)	kW	2.31	2.52	2.62
				COPd (declared COP)		2.31	2.21	2.18
		Power input		kW	1.00	1.14	1.20	
		TBivalent	Tbiv (bivalent temperature)	°C	2			
			A Condition (-7°C)	Pdh (declared heating cap)	kW	1.75	1.87	2.00
COPd (declared COP)					4.59	4.51	4.49	
B Condition (2°C)		Power input	kW	0.38		0.45		
		Pdh (declared heating cap)	kW	1.75	1.87	2.00		
		COPd (declared COP)		4.59	4.51	4.49		
C Condition (7°C)		Power input	kW	0.38		0.45		
		Pdh (declared heating cap)	kW	1.16	1.20	1.29		
		COPd (declared COP)		6.15	6.12	6.11		
D Condition (12°C)		Power input	kW	0.19		0.21		
		Pdh (declared heating cap)	kW			1.10		
		COPd (declared COP)		8.05	8.02	7.97		

2 Specifications

1 - 1 RXA-A9

Technical specifications				FTXA20AT + RXA20A9	FTXA25AT + RXA25A9	FTXA35AT + RXA35A9	
Power consumption in other than active mode	Crankcase heater PCK mode		W		0.0		
	Off mode	POFF		W	0.5		
	Standby mode	Cooling	PSB	W		0.5	
		Heating	PSB	W		0.5	
	Thermostat-off mode	PTO	Cooling	W		7	
Heating			W		13		
Cooling	Cdc (Degradation cooling)				0.25		
Heating	Cdh (Degradation heating)				0.25		
Cooling function included					Yes		
Heating function included					Yes		
Average climate included					Yes		
Cold season included					No		
Warm season included					Yes		
Ecolabel logo					No		
Eurovent	Sound power level outdoor	Cooling	Nom.	dB(A)	59	61	
	Sound power level indoor	Cooling	Nom.	dB(A)	57	60	
	Piping length	Cooling	Measuring condition	m	5.0		

Electrical specifications				FTXA20AT + RXA20A9	FTXA25AT + RXA25A9	FTXA35AT + RXA35A9
Power factor	Nominal	Cooling	%	91.73	93.94	95.64
		Heating	%	93.11	93.94	98.09
Current	Nominal running current (RLA) - 50Hz	Heating	A	2.3	2.6	4.4
		Nominal running current (RLA)	Cooling	A	2.0	2.6

Technical specifications				FTXA20AW + RXA20A9	FTXA25AW + RXA25A9	FTXA35AW + RXA35A9
Indoor unit				FTXA20A2V1BW	FTXA25A2V1BW	FTXA35A2V1BW
Outdoor unit				RXA20A5V1B9	RXA25A5V1B9	RXA35A5V1B9
Cooling capacity	Min.	kW		1.30		1.40
		Btu/h		4,400		4,800
		kcal/h		1,120		1,200
	Nom.	kW		2.00	2.50	3.40
		Btu/h		6,800	8,500	11,600
		kcal/h		1,720	2,150	2,920
	Max.	kW		2.60	3.20	4.00
		Btu/h		8,900	10,900	13,600
		kcal/h		2,240	2,750	3,440
Cooling capacity - Low sound mode (Stb. 2020, 189)	Min.	kW		1.30		1.40
		Btu/h		4,400		4,800
		kcal/h		1,120		1,200
	Nom.	kW		2.00	2.50	3.40
		Btu/h		6,800	8,500	11,600
		kcal/h		1,720	2,150	2,920
	Max.	kcal/h			-	
		kW				
		Btu/h				
Heating capacity	Min.	kW		1.30		1.40
		Btu/h		4,400		4,800
		kcal/h		1,120		1,200
	Nom.	kW		2.50	2.80	4.00
		Btu/h		8,500	9,600	13,600
		kcal/h		2,150	2,410	3,440
	Max.	kW		3.50	4.70	5.20
		Btu/h		11,900	16,000	17,700
		kcal/h		3,010	4,040	4,470
Heating capacity - Low sound mode (Stb. 2020, 189)	Min.	kW		1.30 / 1,120		1.40 / 1,200
		Btu/h		4,400		4,800
	Nom.	kW		2.50	2.80	4.00
		Btu/h		8,500	9,600	13,600
Power input	Cooling	Min.	kW	0.27		0.31
		Nom.	kW	0.43	0.56	0.78
		Max.	kW	0.63	0.78	1.04
	Heating	Min.	kW	0.25		0.26
		Nom.	kW	0.50	0.56	0.99
		Max.	kW	0.91	1.22	1.67

2 Specifications

1 - 1 RXA-A9

2

Technical specifications				FTXA20AW + RXA20A9	FTXA25AW + RXA25A9	FTXA35AW + RXA35A9	
Power input - Low sound mode (Stb. 2020, 189)	Cooling	Min.	kW	0.27		0.31	
		Nom.	kW	0.43	0.56	0.78	
	Heating	Min.	kW	0.25		0.26	
		Nom.	kW	0.50	0.56	0.99	
Nominal efficiency	EER		4.70		4.46	4.37	
	COP		5.00			4.04	
	Energy labeling Directive	Cooling				A	
Heating					A		
Nominal efficiency - Low sound mode (Stb. 2020, 189)	EER		4.65		4.42	4.37	
	COP				5.00		
Space cooling	Energy efficiency class			A+++			
	Capacity	Pdesign	kW	2.00	2.50	3.40	
	SEER			8.75	8.74	8.73	
	Annual energy consumption			80	100	136	
Space cooling - Low sound mode (Stb. 2020, 189)	Capacity	Pdesign	kW	2.00	2.50	3.40	
	SEER			8.73			
	Annual energy consumption			80	100	136	
Space heating (Average climate)	Capacity	Pdesign	kW	2.40	2.45	2.50	
	Energy efficiency class			A+++			
	SCOP/A			5.15			
	SCOPnet/A			5.19		5.18	
	PdH Heating capacity at -10°			2.19	2.30	2.36	
	Annual energy consumption			653	666	680	
	Required back up heating cap at design conditions			0.21	0.15	0.14	
	Capacity			2.40	2.45	2.50	
Space heating (Average climate) - Low sound mode (Stb. 2020, 189)	SCOP/A			5.00			
	SCOPnet/A			5.04		5.03	
	PdH Heating capacity at -10°			2.19	2.30	2.36	
	Annual energy consumption			672	686	700	
	Required back up heating cap at design conditions			0.21	0.15	0.14	
	Capacity			2.40	2.45	2.50	
Space heating (Warm climate)	Energy efficiency class			A+++			
	SCOP			6.26		6.28	
	SCOPnet			6.42			
	Annual energy consumption			392	418	446	
	Required back up heating cap at design conditions			0.00			
Space heating (Warm climate) - Low sound mode (Stb. 2020, 189)	Capacity	Pdesign	kW	1.75	1.87	2.00	
	SCOP			6.25		6.27	
	SCOPnet			6.41	6.40	6.41	
Space cooling	A Condition (35°C - 27/19)	Pdc	kW	2.00	2.50	3.40	
		EERd		4.70	4.46	4.37	
		Power input	kW	0.43	0.56	0.78	
		Pdc	kW	1.47	1.84	2.51	
	B Condition (30°C - 27/19)	EERd		6.96	6.79	6.28	
		Power input	kW	0.21	0.27	0.40	
	C Condition (25°C - 27/19)	Pdc	kW	0.95	1.18	1.61	
		EERd		10.37	10.35	10.58	
	D Condition (20°C - 27/19)	Power input	kW	0.09	0.11	0.15	
		Pdc	kW	1.27	1.29	1.33	
	Space cooling - Low sound mode (Stb. 2020, 189)	A Condition (35°C - 27/19)	EERd		16.36	16.30	16.21
			Power input	kW		0.08	
B Condition (30°C - 27/19)		Pdc	kW	2.00	2.50	3.40	
		EERd		4.65	4.42	4.37	
C Condition (25°C - 27/19)	Power input	kW	0.43	0.57	0.78		
	Pdc	kW	1.47	1.84	2.51		
D Condition (20°C - 27/19)	EERd		6.92	6.78	6.28		
	Power input	kW	0.21	0.27	0.40		
Space cooling - Low sound mode (Stb. 2020, 189)	A Condition (35°C - 27/19)	Pdc	kW	0.95	1.18	1.61	
		EERd		10.37	10.35	10.58	
	B Condition (30°C - 27/19)	Power input	kW	0.09	0.11	0.15	
		Pdc	kW	1.27	1.29	1.33	
C Condition (25°C - 27/19)	EERd		16.36	16.30	16.21		
	Power input	kW		0.08			

2 Specifications

1 - 1 RXA-A9

Technical specifications			FTXA20AW + RXA20A9	FTXA25AW + RXA25A9	FTXA35AW + RXA35A9		
Space heating (Average climate)	TOL	Tol (temperature operating limit) °C	-15				
		Pdh (declared heating cap) kW	2.31	2.52	2.62		
		COPd (declared COP)	2.48	2.36	2.30		
		Power input kW	0.93	1.07	1.14		
	TBivalent	Tbiv (bivalent temperature) °C	-7				
		Pdh (declared heating cap) kW	2.12	2.17	2.21		
		COPd (declared COP)	3.56	3.59	3.58		
	Space heating (Average climate)	TBivalent	Power input kW	0.60		0.62	
			A Condition (-7°C)	Pdh (declared heating cap) kW	2.12	2.17	2.21
				COPd (declared COP)	3.56	3.59	3.58
Power input kW		0.60			0.62		
B Condition (2°C)		Pdh (declared heating cap) kW	1.29	1.32	1.35		
		COPd (declared COP)	5.24	5.22	5.19		
		Power input kW	0.25		0.26		
C Condition (7°C)		Pdh (declared heating cap) kW	0.92		0.94		
		COPd (declared COP)	6.27	6.25	6.19		
		Power input kW		0.15			
D Condition (12°C)		Pdh (declared heating cap) kW		1.10			
		COPd (declared COP)	8.05	8.02	7.97		
		Power input kW		0.14			
Space heating (Average climate) - Low sound mode (Stb. 2020, 189)		TOL	Tol (temperature operating limit) °C	-15			
			Pdh (declared heating cap) kW	2.31	2.52	2.62	
	COPd (declared COP)		2.31	2.21	2.18		
		Power input kW	1.00	1.14	1.20		
	TBivalent	Tbiv (bivalent temperature) °C	-7				
		Pdh (declared heating cap) kW	2.12	2.17	2.21		
		COPd (declared COP)	3.32	3.35	3.34		
		Power input kW	0.64		0.66		
	A Condition (-7°C)	Pdh (declared heating cap) kW	2.12	2.17	2.21		
		COPd (declared COP)	3.32	3.35	3.34		
		Power input kW	0.64		0.66		
	B Condition (2°C)	Pdh (declared heating cap) kW	1.29	1.32	1.35		
		COPd (declared COP)	5.06	5.04	5.02		
		Power input kW	0.25	0.26	0.27		
	C Condition (7°C)	Pdh (declared heating cap) kW	0.92		0.94		
		COPd (declared COP)	6.27	6.25	6.19		
		Power input kW		0.15			
	D Condition (12°C)	Pdh (declared heating cap) kW		1.10			
COPd (declared COP)		8.05	8.02	7.97			
Power input kW			0.14				
Space heating (Warm climate)	TOL	Tol (temperature operating limit) °C	-15				
		Pdh (declared heating cap) kW	2.31	2.52	2.62		
		COPd (declared COP)	2.48	2.36	2.30		
		Power input kW	0.93	1.07	1.14		
Space heating (Warm climate)	TBivalent	Tbiv (bivalent temperature) °C	2				
		Pdh (declared heating cap) kW	1.75	1.87	2.00		
		COPd (declared COP)	4.76	4.67	4.64		
		Power input kW	0.37	0.40	0.43		
	B Condition (2°C)	Pdh (declared heating cap) kW	1.75	1.87	2.00		
		COPd (declared COP)	4.76	4.67	4.64		
		Power input kW	0.37	0.40	0.43		
	C Condition (7°C)	Pdh (declared heating cap) kW	1.16	1.20	1.29		
		COPd (declared COP)	6.15	6.12	6.11		
		Power input kW	0.19	0.20	0.21		
	D Condition (12°C)	Pdh (declared heating cap) kW		1.10			
		COPd (declared COP)	8.05	8.02	7.97		
Power input kW			0.14				

2 Specifications

1 - 1 RXA-A9

2

Technical specifications				FTXA20AW + RXA20A9	FTXA25AW + RXA25A9	FTXA35AW + RXA35A9	
Space heating (Warm climate) - Low sound mode (Stb. 2020, 189)	TOL	Tol (temperature operating °C limit)		-15			
		Pdh (declared heating cap)	kW	2.31	2.52	2.62	
		COPd (declared COP)		2.31	2.21	2.18	
		Power input	kW	1.00	1.14	1.20	
	TBivalent	Tbiv (bivalent temperature) °C		2			
		Pdh (declared heating cap)	kW	1.75	1.87	2.00	
		COPd (declared COP)		4.59	4.51	4.49	
		Power input	kW	0.38	0.41	0.45	
	B Condi- tion (2°C)	Pdh (declared heating cap)		kW	1.75	1.87	2.00
		COPd (declared COP)			4.59	4.51	4.49
		Power input		kW	0.38	0.41	0.45
	C Condi- tion (7°C)	Pdh (declared heating cap)		kW	1.16	1.20	1.29
		COPd (declared COP)			6.15	6.12	6.11
		Power input		kW	0.19	0.20	0.21
	D Condi- tion (12°C)	Pdh (declared heating cap)		kW	1.10		
Power input		kW	0.14				
COPd (declared COP)			8.05	8.02	7.97		
Power consump- tion in other than active mode	Crankcase heater mode	PCK	W	0.0			
	Off mode	POFF	W	0.5			
	Standby mode	Cooling	PSB	W	0.5		
		Heating	PSB	W	0.5		
	Thermo- stat-off mode	PTO	Cooling	W	7		
		Heating	W	13			
Cooling	Cdc (Degradation cooling)			0.25			
Heating	Cdh (Degradation heating)			0.25			
Cooling function included				Yes			
Heating function included				Yes			
Average climate included				Yes			
Cold season included				No			
Warm season included				Yes			
Ecolabel logo				No			
Eurovent	Sound power level outdoor	Cooling	Nom.	dBa	59	61	
	Sound power level indoor	Cooling	Nom.	dBa	57	60	
	Piping length	Cooling	Measuring condition	m	5.0		

Electrical specifications				FTXA20AW + RXA20A9	FTXA25AW + RXA25A9	FTXA35AW + RXA35A9
Power factor	Nominal	Cooling	%	91.73	93.94	95.64
		Heating	%	93.11	93.94	98.09
Current	Nominal running current (RLA) - 50Hz	Heating	A	2.3	2.6	4.4
	Nominal running current (RLA)	Cooling	A	2.0	2.6	3.6

Technical specifications				FTXA20BB + RXA20A9	FTXA25BB + RXA25A9	FTXA35BB + RXA35A9
Indoor unit				FTXA20B2V1BB	FTXA25B2V1BB	FTXA35B2V1BB
Outdoor unit				RXA20A5V1B9	RXA25A5V1B9	RXA35A5V1B9
Cooling capacity	Min.		kW	1.30		1.40
	Min.		Btu/h	4,400		4,800
	Min.		kcal/h	1,120		1,200
	Nom.		kW	2.00	2.50	3.40
	Nom.		Btu/h	6,800	8,500	11,600
	Nom.		kcal/h	1,720	2,150	2,920
	Max.		kW	2.60	3.20	4.00
	Max.		Btu/h	8,900	10,900	13,600
	Max.		kcal/h	2,240	2,750	3,440
Cooling capacity - Low sound mode (Stb. 2020, 189)	Min.		kW	1.30		1.40
	Min.		Btu/h	4,400		4,800
	Min.		kcal/h	1,120		1,200
	Nom.		kW	2.00	2.50	3.40
	Nom.		Btu/h	6,800	8,500	11,600
	Nom.		kcal/h	1,720	2,150	2,920
	Max.		kW	2.60	3.20	4.00
	Max.		Btu/h	8,900	10,900	13,600
	Max.		kcal/h	2,240	2,750	3,440

2 Specifications

1 - 1 RXA-A9

Technical specifications				FTXA20BB + RXA20A9	FTXA25BB + RXA25A9	FTXA35BB + RXA35A9
Heating capacity	Min.		kW	1.30		1.40
	Min.		Btu/h	4,400		4,800
	Min.		kcal/h	1,120		1,200
	Nom.		kW	2.50	2.80	4.00
	Nom.		Btu/h	8,500	9,600	13,600
	Nom.		kcal/h	2,150	2,410	3,440
	Max.		kW	3.50	4.70	5.20
	Max.		Btu/h	11,900	16,000	17,700
	Max.		kcal/h	3,010	4,040	4,470
Heating capacity - Low sound mode (Stb. 2020, 189)	Min.		kW	1.30 / 1,120		1.40 / 1,200
	Min.		Btu/h	4,400		4,800
	Nom.		kW	2.50	2.80	4.00
	Nom.		Btu/h	8,500	9,600	13,600
Power input	Cooling	Min.	kW	0.27		0.31
		Nom.	kW	0.43	0.56	0.78
	Heating	Min.	kW	0.25		0.26
		Nom.	kW	0.50	0.56	0.99
Power input - Low sound mode (Stb. 2020, 189)	Cooling	Min.	kW	0.27		0.31
		Nom.	kW	0.43	0.56	0.78
	Heating	Min.	kW	0.25		0.26
		Nom.	kW	0.50	0.56	0.99
Nominal efficiency	EER			4.70	4.46	4.37
	COP			5.00		4.04
	Energy labeling Directive	Cooling			A	
		Heating			A	
Nominal efficiency - Low sound mode (Stb. 2020, 189)	EER			4.65	4.42	4.37
	COP			5.00		4.04
Space cooling	Energy efficiency class				A+++	
	Capacity	Pdesign	kW	2.00	2.50	3.40
	SEER			8.75	8.74	8.73
	Annual energy consumption		kWh/a	80	100	136
Space cooling - Low sound mode (Stb. 2020, 189)	Capacity	Pdesign	kW	2.00	2.50	3.40
	SEER				8.73	
	Annual energy consumption		kWh/a	80	100	136
Space heating (Average climate)	Capacity	Pdesign	kW	2.40	2.45	2.50
	Energy efficiency class				A+++	
	SCOP/A				5.15	
	SCOPnet/A			5.19	5.18	
	Pdh Heating capacity at -10°		kW	2.19	2.30	2.36
	Annual energy consumption		kWh/a	653	666	680
	Required back up heating cap at design conditions		kW	0.21	0.15	0.14
	Capacity		Pdesign	kW	2.40	2.45
Space heating (Average climate) - Low sound mode (Stb. 2020, 189)	SCOP/A			5.04	5.03	
	SCOPnet/A			5.04	5.03	
	Pdh Heating capacity at -10°		kW	2.19	2.30	2.36
	Annual energy consumption		kWh/a	672	686	700
Required back up heating cap at design conditions		kW	0.21	0.15	0.14	
Space heating (Warm climate)	Capacity	Pdesign	kW	1.75	1.87	2.00
	Energy efficiency class				A+++	
	SCOP			6.26		6.28
Space heating (Warm climate)	SCOPnet			6.42		
	Annual energy consumption		kWh/a	392	418	446
	Required back up heating cap at design conditions		kW	0.00		
Space heating (Warm climate) - Low sound mode (Stb. 2020, 189)	Capacity	Pdesign	kW	1.75	1.87	2.00
	SCOP			6.25		6.27
	SCOPnet			6.41	6.40	6.41
	Annual energy consumption		kWh/a	392	419	447
Required back up heating cap at design conditions		kW	0.00			

2 Specifications

1 - 1 RXA-A9

2

Technical specifications				FTXA20BB + RXA20A9	FTXA25BB + RXA25A9	FTXA35BB + RXA35A9
Space cooling	A Condi- tion (35°C - 27/19)	Pdc	kW	2.00	2.50	3.40
		EERd		4.70	4.46	4.37
		Power input	kW	0.43	0.56	0.78
	B Condi- tion (30°C - 27/19)	Pdc	kW	1.47	1.84	2.51
		EERd		6.96	6.79	6.28
		Power input	kW	0.21	0.27	0.40
	C Condi- tion (25°C - 27/19)	Pdc	kW	0.95	1.18	1.61
		EERd		10.37	10.35	10.58
		Power input	kW	0.09	0.11	0.15
	D Condi- tion (20°C - 27/19)	Pdc	kW	1.27	1.29	1.33
		EERd		16.36	16.30	16.21
		Power input	kW		0.08	
Space cooling - Low sound mode (Stb. 2020, 189)	A Condi- tion (35°C - 27/19)	Pdc	kW	2.00	2.50	3.40
		EERd		4.65	4.42	4.37
		Power input	kW	0.43	0.57	0.78
	B Condi- tion (30°C - 27/19)	Pdc	kW	1.47	1.84	2.51
		EERd		6.92	6.78	6.28
		Power input	kW	0.21	0.27	0.40
	C Condi- tion (25°C - 27/19)	Pdc	kW	0.95	1.18	1.61
		EERd		10.37	10.35	10.58
		Power input	kW	0.09	0.11	0.15
	D Condi- tion (20°C - 27/19)	Pdc	kW	1.27	1.29	1.33
		EERd		16.36	16.30	16.21
		Power input	kW		0.08	
Space heating (Average climate)	TOL	Tol (temperature operating limit)	°C		-15	
		Pdh (declared heating cap)	kW	2.31	2.52	2.62
		COPd (declared COP)		2.48	2.36	2.30
		Power input	kW	0.93	1.07	1.14
	TBivalent	Tbiv (bivalent temperature)	°C		-7	
Space heating (Average climate)	TBivalent	Pdh (declared heating cap)	kW	2.12	2.17	2.21
		COPd (declared COP)		3.56	3.59	3.58
		Power input	kW		0.60	0.62
	A Condi- tion (-7°C)	Pdh (declared heating cap)	kW	2.12	2.17	2.21
		COPd (declared COP)		3.56	3.59	3.58
		Power input	kW		0.60	0.62
	B Condi- tion (2°C)	Pdh (declared heating cap)	kW	1.29	1.32	1.35
		COPd (declared COP)		5.24	5.22	5.19
		Power input	kW		0.25	0.26
	C Condi- tion (7°C)	Pdh (declared heating cap)	kW	0.92		0.94
		COPd (declared COP)		6.27	6.25	6.19
		Power input	kW		0.15	
	D Condi- tion (12°C)	Pdh (declared heating cap)	kW		1.10	
		COPd (declared COP)		8.05	8.02	7.97
		Power input	kW		0.14	
Space heating (Average climate) - Low sound mode (Stb. 2020, 189)	TOL	Tol (temperature operating limit)	°C		-15	
		Pdh (declared heating cap)	kW	2.31	2.52	2.62
		COPd (declared COP)		2.31	2.21	2.18
		Power input	kW	1.00	1.14	1.20
	TBivalent	Tbiv (bivalent temperature)	°C		-7	
		Pdh (declared heating cap)	kW	2.12	2.17	2.21
		COPd (declared COP)		3.32	3.35	3.34
	A Condi- tion (-7°C)	Pdh (declared heating cap)	kW	2.12	2.17	2.21
		COPd (declared COP)		3.32	3.35	3.34
		Power input	kW	0.64	0.65	0.66
	B Condi- tion (2°C)	Pdh (declared heating cap)	kW	1.29	1.32	1.35
		COPd (declared COP)		5.06	5.04	5.02
		Power input	kW	0.25	0.26	0.27
	C Condi- tion (7°C)	Pdh (declared heating cap)	kW	0.92		0.94
		COPd (declared COP)		6.27	6.25	6.19
		Power input	kW		0.15	
	D Condi- tion (12°C)	Pdh (declared heating cap)	kW		1.10	
		COPd (declared COP)		8.05	8.02	7.97
Power input		kW		0.14		
Space heating (Warm climate)	TOL	Tol (temperature operating limit)	°C		-15	
		Pdh (declared heating cap)	kW	2.31	2.52	2.62

2 Specifications

1 - 1 RXA-A9

Technical specifications					FTXA20BB + RXA20A9	FTXA25BB + RXA25A9	FTXA35BB + RXA35A9
Space heating (Warm climate)	TOL	COPd (declared COP)			2.48	2.36	2.30
		Power input kW			0.93	1.07	1.14
	TBivalent	Tbiv (bivalent temperature) °C				2.00	
		Pdh (declared heating cap) kW			1.75	1.87	2.00
		COPd (declared COP)			4.76	4.67	4.64
		Power input kW			0.37	0.40	0.43
	B Condi- tion (2°C)	Pdh (declared heating cap) kW			1.75	1.87	2.00
		COPd (declared COP)			4.76	4.67	4.64
		Power input kW			0.37	0.40	0.43
	C Condi- tion (7°C)	Pdh (declared heating cap) kW			1.16	1.20	1.29
		COPd (declared COP)			6.15	6.12	6.11
		Power input kW			0.19	0.20	0.21
D Condi- tion (12°C)	Pdh (declared heating cap) kW				1.10		
	COPd (declared COP)			8.05	8.02	7.97	
	Power input kW				0.14		
Space heating (Warm climate) - Low sound mode (Stb. 2020, 189)	TOL	Tol (temperature operating limit) °C				-15	
		Pdh (declared heating cap) kW			2.31	2.52	2.62
		COPd (declared COP)			2.31	2.21	2.18
		Power input kW			1.00	1.14	1.20
	TBivalent	Tbiv (bivalent temperature) °C				2.0	
		Pdh (declared heating cap) kW			1.75	1.87	2.00
		COPd (declared COP)			4.59	4.51	4.49
		Power input kW			0.38	0.41	0.45
	B Condi- tion (2°C)	Pdh (declared heating cap) kW			1.75	1.87	2.00
		COPd (declared COP)			4.59	4.51	4.49
		Power input kW			0.38	0.41	0.45
	C Condi- tion (7°C)	Pdh (declared heating cap) kW			1.16	1.20	1.29
		COPd (declared COP)			6.15	6.12	6.11
		Power input kW			0.19	0.20	0.21
	D Condi- tion (12°C)	Pdh (declared heating cap) kW				1.10	
		Power input kW				0.14	
		COPd (declared COP)			8.05	8.02	7.97
	Power consump- tion in other than active mode	Crankcase heater mode	PCK	W		0.0	
Off mode		POFF	W		0.5		
Standby mode		Cooling	PSB	W		0.5	
		Heating	PSB	W		0.5	
Thermostat-off mode		PTO	Cooling	W		7	
Power consumption in other than active mode	Thermostat-off mode	PTO	Heating	W		13	
Cooling	Cdc (Degradation cooling)				0.25		
Heating	Cdh (Degradation heating)				0.25		
Cooling function included					Yes		
Heating function included					Yes		
Average climate included					Yes		
Cold season included					No		
Warm season included					Yes		
Ecolabel logo					No		
Eurovent	Sound power level outdoor	Cooling	Nom.	dBa	59	61	
	Sound power level indoor	Cooling	Nom.	dBa	57	60	
	Piping length	Cooling	Measuring condition	m	5.0		

Electrical specifications					FTXA20BB + RXA20A9	FTXA25BB + RXA25A9	FTXA35BB + RXA35A9
Power factor	Nominal	Cooling	%		91.73	93.94	95.64
		Heating	%		93.11	93.94	98.09
Current	Nominal running current (RLA) - 50Hz	Heating	A		2.3	2.6	4.4
		Cooling	A		2.0	2.6	3.6

Technical specifications					FTXA20BS + RXA20A9	FTXA25BS + RXA25A9	FTXA35BS + RXA35A9
Indoor unit					FTXA20B2V1BS	FTXA25B2V1BS	FTXA35B2V1BS
Outdoor unit					RXA20A5V1B9	RXA25A5V1B9	RXA35A5V1B9

2 Specifications

1 - 1 RXA-A9

2

Technical specifications				FTXA20BS + RXA20A9	FTXA25BS + RXA25A9	FTXA35BS + RXA35A9
Cooling capacity	Min.		kW	1.30		1.40
	Min.		Btu/h	4,400		4,800
	Min.		kcal/h	1,120		1,200
	Nom.		kW	2.00	2.50	3.40
	Nom.		Btu/h	6,800	8,500	11,600
	Nom.		kcal/h	1,720	2,150	2,920
	Max.		kW	2.60	3.20	4.00
	Max.		Btu/h	8,900	10,900	13,600
	Max.		kcal/h	2,240	2,750	3,440
Cooling capacity - Low sound mode (Stb. 2020, 189)	Min.		kW	1.30		1.40
	Min.		Btu/h	4,400		4,800
	Min.		kcal/h	1,120		1,200
	Nom.		kW	2.00	2.50	3.40
	Nom.		Btu/h	6,800	8,500	11,600
	Nom.		kcal/h	1,720	2,150	2,920
	Max.		kW	2.60	3.20	4.00
	Max.		Btu/h	8,900	10,900	13,600
	Max.		kcal/h	2,240	2,750	3,440
Heating capacity	Min.		kW	1.30		1.40
	Min.		Btu/h	4,400		4,800
	Min.		kcal/h	1,120		1,200
	Nom.		kW	2.50	2.80	4.00
	Nom.		Btu/h	8,500	9,600	13,600
	Nom.		kcal/h	2,150	2,410	3,440
	Max.		kW	3.50	4.70	5.20
	Max.		Btu/h	11,900	16,000	17,700
	Max.		kcal/h	3,010	4,040	4,470
Heating capacity - Low sound mode (Stb. 2020, 189)	Min.		kW	1.30 /1,120		1.40 /1,200
	Min.		Btu/h	4,400		4,800
	Nom.		kW	2.50	2.80	4.00
	Nom.		Btu/h	8,500	9,600	13,600
	Nom.		kcal/h	2,150	2,410	3,440
Power input	Cooling	Min.	kW	0.27		0.31
		Nom.	kW	0.43	0.56	0.78
Power input	Cooling	Max.	kW	0.63		0.78
		Max.	kW	0.91	1.22	1.67
Power input - Low sound mode (Stb. 2020, 189)	Heating	Min.	kW	0.25		0.26
		Nom.	kW	0.50	0.56	0.99
	Heating	Max.	kW	0.91		1.22
		Max.	kW	0.50	0.56	0.99
Nominal efficiency	EER			4.70	4.46	4.37
	COP			5.00		4.04
Energy labeling Directive	Cooling					A
	Heating					A
Nominal efficiency - Low sound mode (Stb. 2020, 189)	EER			4.65	4.42	4.37
	COP			5.00		4.04
Space cooling	Energy efficiency class					A+++
	Capacity	Pdesign	kW	2.00	2.50	3.40
	SEER			8.75	8.74	8.73
	Annual energy consumption		kWh/a	80	100	136
Space cooling - Low sound mode (Stb. 2020, 189)	Capacity	Pdesign	kW	2.00	2.50	3.40
	SEER					8.73
	Annual energy consumption		kWh/a	80	100	136
Space heating (Average climate)	Capacity	Pdesign	kW	2.40	2.45	2.50
	Energy efficiency class					A+++
	SCOP/A					5.15
	SCOPnet/A			5.19	5.18	
	Pdh Heating capacity at -10°		kW	2.19	2.30	2.36
	Annual energy consumption		kWh/a	653	666	680
	Required back up heating cap at design conditions		kW	0.21	0.15	0.14
	Capacity	Pdesign	kW	2.40	2.45	2.50
Space heating (Average climate) - Low sound mode (Stb. 2020, 189)	SCOP/A					5.00
	SCOPnet/A			5.04	5.03	
	Pdh Heating capacity at -10°		kW	2.19	2.30	2.36
	Annual energy consumption		kWh/a	672	686	700
	Required back up heating cap at design conditions		kW	0.21	0.15	0.14

2 Specifications

1 - 1 RXA-A9

Technical specifications			FTXA20BS + RXA20A9	FTXA25BS + RXA25A9	FTXA35BS + RXA35A9			
Space heating (Warm climate)	Capacity Pdesignh	kW	1.75	1.87	2.00			
	Energy efficiency class			A+++				
	SCOP		6.26		6.28			
Space heating (Warm climate)	SCOPnet		6.42					
	Annual energy consumption	kWh/a	392	418	446			
	Required back up heating cap at design conditions	kW	0.00					
Space heating (Warm climate) - Low sound mode (Stb. 2020, 189)	Capacity Pdesign	kW	1.75	1.87	2.00			
	SCOP		6.25		6.27			
	SCOPnet		6.41	6.40	6.41			
Space heating (Warm climate) - Low sound mode (Stb. 2020, 189)	Annual energy consumption	kWh/a	392	419	447			
	Required back up heating cap at design conditions	kW	0.00					
	Space cooling	A Condi- tion (35°C - 27/19)	Pdc EERd Power input	kW	2.00 4.70 0.43	2.50 4.46 0.56	3.40 4.37 0.78	
B Condi- tion (30°C - 27/19)		Pdc EERd Power input	kW	1.47 6.96 0.21	1.84 6.79 0.27	2.51 6.28 0.40		
C Condi- tion (25°C - 27/19)		Pdc EERd Power input	kW	0.95 10.37 0.09	1.18 10.35 0.11	1.61 10.58 0.15		
D Condi- tion (20°C - 27/19)		Pdc EERd Power input	kW	1.27 16.36 0.08	1.29 16.30 0.08	1.33 16.21 0.08		
Space cooling - Low sound mode (Stb. 2020, 189)		A Condi- tion (35°C - 27/19)	Pdc EERd Power input	kW	2.00 4.65 0.43	2.50 4.42 0.57	3.40 4.37 0.78	
		B Condi- tion (30°C - 27/19)	Pdc EERd Power input	kW	1.47 6.92 0.21	1.84 6.78 0.27	2.51 6.28 0.40	
		C Condi- tion (25°C - 27/19)	Pdc EERd Power input	kW	0.95 10.37 0.09	1.18 10.35 0.11	1.61 10.58 0.15	
		D Condi- tion (20°C - 27/19)	Pdc EERd Power input	kW	1.27 16.36 0.08	1.29 16.30 0.08	1.33 16.21 0.08	
		Space heating (Average climate)	TOL	Tol (temperature operating limit)	°C	-15		
			TBivalent	Pdh (declared heating cap)	kW	2.31	2.52	2.62
				COPd (declared COP)		2.48	2.36	2.30
				Power input	kW	0.93	1.07	1.14
	Tbiv (bivalent temperature)		°C	-7				
	Space heating (Average climate)	TBivalent	Pdh (declared heating cap)	kW	2.12	2.17	2.21	
			COPd (declared COP)		3.56	3.59	3.58	
			Power input	kW	0.60		0.62	
A Condi- tion (-7°C)		Pdh (declared heating cap)	kW	2.12	2.17	2.21		
		COPd (declared COP)		3.56	3.59	3.58		
		Power input	kW	0.60		0.62		
B Condi- tion (2°C)		Pdh (declared heating cap)	kW	1.29	1.32	1.35		
		COPd (declared COP)		5.24	5.22	5.19		
		Power input	kW	0.25		0.26		
C Condi- tion (7°C)		Pdh (declared heating cap)	kW	0.92	0.94			
		COPd (declared COP)		6.27	6.25	6.19		
		Power input	kW	0.15				
D Condi- tion (12°C)		Pdh (declared heating cap)	kW	1.10				
		COPd (declared COP)		8.05	8.02	7.97		
		Power input	kW	0.14				

2 Specifications

1 - 1 RXA-A9

2

Technical specifications				FTXA20BS + RXA20A9	FTXA25BS + RXA25A9	FTXA35BS + RXA35A9
Space heating (Average climate) - Low sound mode (Stb. 2020, 189)	TOL	Tol (temperature operating limit) °C		-15		
		Pdh (declared heating cap) kW	2.31	2.52	2.62	
		COPd (declared COP)	2.31	2.21	2.18	
		Power input kW		1.00	1.14	1.20
	TBivalent	Tbiv (bivalent temperature) °C		-7		
		Pdh (declared heating cap) kW	2.12	2.17	2.21	
		COPd (declared COP)	3.32	3.35	3.34	
		Power input kW	0.64	0.65	0.66	
	A Condi- tion (-7°C)	Pdh (declared heating cap) kW	2.12	2.17	2.21	
		COPd (declared COP)	3.32	3.35	3.34	
		Power input kW	0.64	0.65	0.66	
	B Condi- tion (2°C)	Pdh (declared heating cap) kW	1.29	1.32	1.35	
		COPd (declared COP)	5.06	5.04	5.02	
		Power input kW	0.25	0.26	0.27	
	C Condi- tion (7°C)	Pdh (declared heating cap) kW	0.92	0.94	0.94	
COPd (declared COP)		6.27	6.25	6.19		
Power input kW			0.15			
D Condi- tion (12°C)	Pdh (declared heating cap) kW		1.10			
	COPd (declared COP)	8.05	8.02	7.97		
	Power input kW		0.14			
Space heating (Warm climate)	TOL	Tol (temperature operating limit) °C		-15		
Space heating (Warm climate)	TOL	Pdh (declared heating cap) kW	2.31	2.52	2.62	
		COPd (declared COP)	2.48	2.36	2.30	
		Power input kW	0.93	1.07	1.14	
TBivalent	Tbiv (bivalent temperature) °C		2.00			
	Pdh (declared heating cap) kW	1.75	1.87	2.00		
	COPd (declared COP)	4.76	4.67	4.64		
	Power input kW	0.37	0.40	0.43		
B Condi- tion (2°C)	Pdh (declared heating cap) kW	1.75	1.87	2.00		
	COPd (declared COP)	4.76	4.67	4.64		
	Power input kW	0.37	0.40	0.43		
C Condi- tion (7°C)	Pdh (declared heating cap) kW	1.16	1.20	1.29		
	COPd (declared COP)	6.15	6.12	6.11		
	Power input kW	0.19	0.20	0.21		
D Condi- tion (12°C)	Pdh (declared heating cap) kW		1.10			
	COPd (declared COP)	8.05	8.02	7.97		
	Power input kW		0.14			
Space heating (Warm climate) - Low sound mode (Stb. 2020, 189)	TOL	Tol (temperature operating limit) °C		-15		
		Pdh (declared heating cap) kW	2.31	2.52	2.62	
		COPd (declared COP)	2.31	2.21	2.18	
		Power input kW		1.00	1.14	1.20
	TBivalent	Tbiv (bivalent temperature) °C		2.0		
		Pdh (declared heating cap) kW	1.75	1.87	2.00	
		COPd (declared COP)	4.59	4.51	4.49	
		Power input kW	0.38	0.41	0.45	
	B Condi- tion (2°C)	Pdh (declared heating cap) kW	1.75	1.87	2.00	
		COPd (declared COP)	4.59	4.51	4.49	
		Power input kW	0.38	0.41	0.45	
	C Condi- tion (7°C)	Pdh (declared heating cap) kW	1.16	1.20	1.29	
		COPd (declared COP)	6.15	6.12	6.11	
		Power input kW	0.19	0.20	0.21	
	D Condi- tion (12°C)	Pdh (declared heating cap) kW		1.10		
Power input kW			0.14			
COPd (declared COP)		8.05	8.02	7.97		
Power consump- tion in other than active mode	Crankcase heater mode	PCK	W	0.0		
	Off mode	POFF	W	0.5		
	Standby mode	Cooling	PSB	W	0.5	
		Heating	PSB	W	0.5	
	Thermostat-off mode	PTO	Cooling	W	7	
Power consumption in other than active mode	Thermostat-off mode	PTO	Heating	W	13	
Cooling	Cdc (Degradation cooling)			0.25		
Heating	Cdh (Degradation heating)			0.25		
Cooling function included				Yes		
Heating function included				Yes		
Average climate included				Yes		
Cold season included				No		
Warm season included				Yes		

2 Specifications

1 - 1 RXA-A9

Technical specifications					FTXA20BS + RXA20A9	FTXA25BS + RXA25A9	FTXA35BS + RXA35A9
Ecolabel logo					No		
Eurovent	Sound power level outdoor	Cooling	Nom.	dB(A)	59		61
	Sound power level indoor	Cooling	Nom.	dB(A)	57		60
	Piping length	Cooling	Measuring condition	m	5.0		

Electrical specifications				FTXA20BS + RXA20A9	FTXA25BS + RXA25A9	FTXA35BS + RXA35A9
Power factor	Nominal	Cooling	%	91.73	93.94	95.64
		Heating	%	93.11	93.94	98.09
Current	Nominal running current (RLA) - 50Hz	Heating	A	2.3	2.6	4.4
		Cooling	A	2.0	2.6	3.6

Technical specifications				FTXA20BT + RXA20A9	FTXA25BT + RXA25A9	FTXA35BT + RXA35A9	
Indoor unit				FTXA20B2V1BT	FTXA25B2V1BT	FTXA35B2V1BT	
Outdoor unit				RXA20A5V1B9	RXA25A5V1B9	RXA35A5V1B9	
Cooling capacity	Min.	kW		1.30		1.40	
		Btu/h		4,400		4,800	
	Min.	kcal/h		1,120		1,200	
		kW		2.00	2.50	3.40	
	Nom.	Btu/h		6,800	8,500	11,600	
		kcal/h		1,720	2,150	2,920	
	Max.	kW		2.60	3.20	4.00	
		Btu/h		8,900	10,900	13,600	
Max.	kcal/h		2,240	2,750	3,440		
	Cooling capacity - Low sound mode (Stb. 2020, 189)	Min.	kW		1.30		1.40
Btu/h			4,400		4,800		
Min.		kcal/h		1,120		1,200	
		kW		2.00	2.50	3.40	
Nom.		Btu/h		6,800	8,500	11,600	
		kcal/h		1,720	2,150	2,920	
Max.		kW		2.60	3.20	4.00	
		Btu/h		8,900	10,900	13,600	
Max.	kcal/h		2,240	2,750	3,440		
	Heating capacity	Min.	kW		1.30		1.40
Btu/h			4,400		4,800		
Min.		kcal/h		1,120		1,200	
		kW		2.50	2.80	4.00	
Nom.		Btu/h		8,500	9,600	13,600	
		kcal/h		2,150	2,410	3,440	
Max.		kW		3.50	4.70	5.20	
		Btu/h		11,900	16,000	17,700	
Max.	kcal/h		3,010	4,040	4,470		
	Heating capacity - Low sound mode (Stb. 2020, 189)	Min.	kW		1.30 / 1,120		1.40 / 1,200
Btu/h			4,400		4,800		
Nom.		kW		2.50	2.80	4.00	
		Btu/h		8,500	9,600	13,600	
Power input	Cooling	Min.	kW	0.27		0.31	
		Nom.	kW	0.43	0.56	0.78	
Power input	Cooling	Max.	kW	0.63	0.78	1.04	
		Heating	Min.	kW	0.25		0.26
			Nom.	kW	0.50	0.56	0.99
Power input - Low sound mode (Stb. 2020, 189)	Cooling	Max.	kW	0.91	1.22	1.67	
		Min.	kW	0.27		0.31	
			Nom.	kW	0.43	0.56	0.78
Power input - Low sound mode (Stb. 2020, 189)	Heating	Min.	kW	0.25		0.26	
		Nom.	kW	0.50	0.56	0.99	
			Nom.	kW	4.70	4.46	4.37
Nominal efficiency	EER			5.00		4.04	
		COP	Cooling				
			Heating	A			
Nominal efficiency - Low sound mode (Stb. 2020, 189)	EER			4.65	4.42	4.37	
		COP	Cooling				
			Heating	5.00			

2 Specifications

1 - 1 RXA-A9

Technical specifications			FTXA20BT + RXA20A9	FTXA25BT + RXA25A9	FTXA35BT + RXA35A9		
Space cooling	Energy efficiency class		A+++				
	Capacity Pdesign	kW	2.00	2.50	3.40		
	SEER		8.75	8.74	8.73		
	Annual energy consumption	kWh/a	80	100	136		
Space cooling - Low sound mode (Stb. 2020, 189)	Capacity Pdesign	kW	2.00	2.50	3.40		
	SEER			8.73			
	Annual energy consumption	kWh/a	80	100	136		
Space heating (Average climate)	Capacity Pdesign	kW	2.40	2.45	2.50		
	Energy efficiency class		A+++				
	SCOP/A		5.15				
	SCOPnet/A		5.19	5.18			
	Pdh Heating capacity at -10°	kW	2.19	2.30	2.36		
	Annual energy consumption	kWh/a	653	666	680		
	Required back up heating cap at design conditions	kW	0.21	0.15	0.14		
	Capacity Pdesign	kW	2.40	2.45	2.50		
	SCOP/A		5.00				
	Space heating (Average climate) - Low sound mode (Stb. 2020, 189)	SCOPnet/A		5.04	5.03		
Pdh Heating capacity at -10°		kW	2.19	2.30	2.36		
Annual energy consumption		kWh/a	672	686	700		
Required back up heating cap at design conditions		kW	0.21	0.15	0.14		
Capacity Pdesign		kW	1.75	1.87	2.00		
Space heating (Warm climate)	Energy efficiency class		A+++				
	SCOP		6.26		6.28		
Space heating (Warm climate)	SCOPnet		6.42				
	Annual energy consumption	kWh/a	392	418	446		
	Required back up heating cap at design conditions	kW	0.00				
Space heating (Warm climate) - Low sound mode (Stb. 2020, 189)	Capacity Pdesign	kW	1.75	1.87	2.00		
	SCOP		6.25		6.27		
	SCOPnet		6.41	6.40	6.41		
	Annual energy consumption	kWh/a	392	419	447		
Space cooling	A Condition (35°C - 27/19)	Pdc	kW	2.00	2.50	3.40	
		EERd		4.70	4.46	4.37	
		Power input	kW	0.43	0.56	0.78	
	B Condition (30°C - 27/19)	Pdc	kW	1.47	1.84	2.51	
		EERd		6.96	6.79	6.28	
		Power input	kW	0.21	0.27	0.40	
	C Condition (25°C - 27/19)	Pdc	kW	0.95	1.18	1.61	
		EERd		10.37	10.35	10.58	
		Power input	kW	0.09	0.11	0.15	
	D Condition (20°C - 27/19)	Pdc	kW	1.27	1.29	1.33	
		EERd		16.36	16.30	16.21	
		Power input	kW	0.08			
	Space cooling - Low sound mode (Stb. 2020, 189)	A Condition (35°C - 27/19)	Pdc	kW	2.00	2.50	3.40
			EERd		4.65	4.42	4.37
			Power input	kW	0.43	0.57	0.78
		B Condition (30°C - 27/19)	Pdc	kW	1.47	1.84	2.51
			EERd		6.92	6.78	6.28
Power input			kW	0.21	0.27	0.40	
C Condition (25°C - 27/19)		Pdc	kW	0.95	1.18	1.61	
		EERd		10.37	10.35	10.58	
		Power input	kW	0.09	0.11	0.15	
D Condition (20°C - 27/19)		Pdc	kW	1.27	1.29	1.33	
		EERd		16.36	16.30	16.21	
		Power input	kW	0.08			
Space heating (Average climate)		TOL	Tol (temperature operating limit)	°C -15			
		Pdh (declared heating cap)	kW	2.31	2.52	2.62	
		COPd (declared COP)		2.48	2.36	2.30	
		Power input	kW	0.93	1.07	1.14	
		TBivalent	Tbiv (bivalent temperature)	°C -7			

2 Specifications

1 - 1 RXA-A9

2

Technical specifications					FTXA20BT + RXA20A9	FTXA25BT + RXA25A9	FTXA35BT + RXA35A9	
Power consumption in other than active mode	Crankcase heater PCK mode			W		0.0		
	Off mode	POFF		W		0.5		
	Standby mode	Cooling	PSB		W		0.5	
		Heating	PSB		W		0.5	
	Thermostat-off mode	PTO	Cooling		W		7	
Power consumption in other than active mode	Thermostat-off mode	PTO	Heating	W		13		
Cooling	Cdc (Degradation cooling)					0.25		
Heating	Cdh (Degradation heating)					0.25		
Cooling function included						Yes		
Heating function included						Yes		
Average climate included						Yes		
Cold season included						No		
Warm season included						Yes		
Ecolabel logo						No		
Eurovent	Sound power level outdoor	Cooling	Nom.	dB(A)	59		61	
	Sound power level indoor	Cooling	Nom.	dB(A)	57		60	
	Piping length	Cooling	Measuring condition	m		5.0		

Electrical specifications				FTXA20BT + RXA20A9	FTXA25BT + RXA25A9	FTXA35BT + RXA35A9
Power factor	Nominal	Cooling	%	91.73	93.94	95.64
		Heating	%	93.11	93.94	98.09
Current	Nominal running current (RLA) - 50Hz	Heating	A	2.3	2.6	4.4
		Cooling	A	2.0	2.6	3.6

Technical Specifications					RXA20A9	RXA25A9	RXA35A9
Casing	Colour				Ivory white		
Dimensions	Unit	Height		mm	550		
		Width		mm	840		
		Depth		mm	350		
	Packed unit	Height		mm	612		
		Width		mm	906		
		Depth		mm	402		
Weight	Unit			kg	32		
	Packed unit			kg	34		
Heat exchanger	Length				mm		
					805		
	Rows	Quantity					
					2		
	Fin pitch			mm			
					1.40		
	Stages	Quantity					
				24			
Passes	Quantity						
				3.1			
Tube type					ø7 Hi-XD		
Fin Type					Waffle fin (PE)		
Fan	Type				Propeller fan		
	Air flow rate	Cooling	Nom.	m ³ /min	34.0		36.0
				cfm	1,201		1,271
	Heating	Nom.	m ³ /min	28.3			
		cfm	999				
Fan motor	Model				DFC05A3VA		
	Output				W		
					50		
	Speed	Cooling	High		rpm	920	
			Nom.		rpm	860	920
			Low		rpm	640	
Heating	High		rpm	860			
	Nom.		rpm	800			
	Low		rpm	380			
Compressor	Model				1YC25GXD#D		
	Type				Hermetically sealed swing compressor		
	Output				W		
				800.0			
Operation range	Cooling	Ambient	Min.	°CDB	-10		
			Max.	°CDB	46		
	Heating	Ambient	Min.	°CDB	-15		
			Max.	°CDB	24		

2 Specifications

1 - 1 RXA-A9

Technical Specifications				RXA20A9	RXA25A9	RXA35A9	
Sound power level	Cooling	Max	dBa	60		61	
		Night quiet mode	dBa		56		
	Heating	Max.	dBa	60		61	
		Nom.	dBa	59.0		61.0	
		Night quiet mode	dBa		56		
Sound power level - Low sound mode (Stb. 2020, 189)	Cooling	Max.	dBa	59.0		60.0	
		Night quiet mode	dBa		55.0		
	Heating	Max.	dBa	59.0		60.0	
		Night quiet mode	dBa		55.0		
Sound pressure level	Cooling	Nom.	dBa	46.0		49.0	
	Heating	Nom.	dBa	47.0		49.0	
Refrigerant	Type			R-32			
	Charge		kg	0.76			
	Charge		TCO2Eq	0.52			
	Control			Expansion valve			
	GWP			675.0			
Piping connections	Liquid	OD	mm	6.35			
	Gas	OD	mm	9.50			
	Drain	OD	mm	18			
	Piping length	OU - IU	Max.	m	20		
	Additional refrigerant charge			kg/m	0.02 (for piping length exceeding 10m)		
	Level difference	IU - OU	Max.	m	15.0		
	Heat insulation				Both liquid and gas pipes		
Capacity control	Method			Variable (inverter)			

Standard accessories: Drain plug; Quantity: 1;

Standard accessories: Installation manual; Quantity: 1;

Standard accessories: Refrigerant charge label; Quantity: 1;

Standard accessories: Multilingual fluorinated greenhouse gases labels; Quantity: 1;

Standard accessories: General safety precautions; Quantity: 1;

Electrical Specifications				RXA20A9	RXA25A9	RXA35A9
Power supply	Phase			1~		
	Frequency		Hz	50		
	Voltage		V	220-240		
Wiring connections	For power supply	Quantity		3		
		Remark		Earth wire included		
	For connection with indoor	Quantity		4		
		Remark		Earth wire included		

Contains fluorinated greenhouse gases |
See separate drawing for operation range |
See separate drawing for electrical data

3 Electrical data

3 - 1 Electrical Data

3
RXA20-35A9

Unit combination restrictions		Power supply				COMP		OFM		IFM		
Outdoor unit	Indoor unit	①	②	③	MCA	MFA	RHz	RLA	kW	FLA	kW	FLA
RXA20A5V1B9	FTXA20A2V1B	50	220	Maximum :50-Hz :264-V	9,88	10	35	1,9	0,023	0,23	0,035	0,30
		50	230					1,8				
		50	240	Minimum :50-Hz :198-V				1,7				
RXA25A5V1B9	FTXA25A2V1B	50	220	Maximum :50-Hz :264-V	11,17	13	44	2,2	0,023	0,23	0,038	0,40
		50	230					2,1				
		50	240	Minimum :50-Hz :198-V				2,1				
RXA35A5V1B9	FTXA35A2V1B	50	220	Maximum :50-Hz :264-V	12,29	13	59	3,3	0,023	0,23	0,041	0,40
		50	230					3,1				
		50	240	Minimum :50-Hz :198-V				3,0				

Symbols

- ① Hz
- ② Voltage
- ③ Voltage range

- MCA Minimum Circuit Ampere [A]
- MFA Maximum Fuse Ampere [A]
- RLA Rated load amps [A]
- COMP Compressor
- OFM Outdoor fan motor
- IFM Indoor fan motor
- FLA Full Load Ampere [A]
- kW Fan motor rated output [kW]
- RHz Rated operating frequency [Hz]

Notes

1. The ·RLA· is based on the following conditions.
Indoor temperature ·27·°C DB / ·19·°C WB
Outdoor temperature ·35·°C DB
2. Select the wire size according to the MCA.
3. The maximum allowable voltage that is unbalanced between phases is ·2·%.
4. Use a circuit breaker instead of a fuse.

3D133678

4 Capacity tables

4 - 1 Cooling Capacity Tables

4

FTXA20A / RXA20A9

Cooling

-50-Hz -220 - 240-V

AFR	11
BF	0,154

Indoor temperature		Outdoor temperature [°C DB]																	
EWB	EDB	20			25			30			32			35			40		
°C	°C	TC	SHC	PI	TC	SHC	PI	TC	SHC	PI	TC	SHC	PI	TC	SHC	PI	TC	SHC	PI
14	20	2,05	2,05	0,33	1,96	1,96	0,36	1,86	1,86	0,39	1,83	1,83	0,40	1,77	1,77	0,42	1,68	1,68	0,45
16	22	2,14	2,14	0,33	2,05	2,05	0,36	1,95	1,95	0,39	1,92	1,92	0,40	1,86	1,86	0,42	1,77	1,77	0,45
18	25	2,23	2,23	0,33	2,14	2,14	0,36	2,05	2,05	0,39	2,01	2,01	0,41	1,95	1,95	0,42	1,86	1,86	0,46
19	27	2,28	2,28	0,33	2,19	2,19	0,36	2,09	2,09	0,39	2,06	2,06	0,41	2,00	2,00	0,43	1,91	1,91	0,46
22	30	2,42	2,42	0,33	2,32	2,32	0,37	2,23	2,23	0,40	2,19	2,19	0,41	2,14	2,14	0,43	2,05	2,05	0,46
24	32	2,51	2,33	0,34	2,42	2,42	0,37	2,32	2,32	0,40	2,29	2,29	0,41	2,23	2,23	0,43	2,14	2,14	0,46

Heating

-50-Hz -220 - 240-V

AFR	10,9
-----	------

Indoor temperature		Outdoor temperature [°C WB]											
EDB		-15		-10		-5		0		6		10	
°C	°C	TC	PI	TC	PI	TC	PI	TC	PI	TC	PI	TC	PI
15	15	1,19	0,32	1,43	0,37	1,67	0,37	1,91	0,46	2,59	0,49	2,81	0,51
20	20	1,12	0,33	1,36	0,38	1,60	0,38	1,84	0,48	2,50	0,50	2,73	0,52
22	22	1,09	0,33	1,33	0,38	1,57	0,38	1,81	0,48	2,47	0,50	2,69	0,52
24	24	1,06	0,34	1,30	0,39	1,54	0,39	1,78	0,48	2,43	0,51	2,66	0,53
25	25	1,04	0,34	1,28	0,39	1,52	0,39	1,76	0,49	2,41	0,51	2,64	0,53
27	27	1,01	0,34	1,25	0,39	1,49	0,39	1,73	0,49	2,38	0,52	2,61	0,53

Symbols

- AFR Air flow rate [m³/min]
- BF Bypass factor
- EWB Entering wet-bulb temperature (°C WB)
- EDB Entering dry-bulb temperature (°C DB)
- TC Total capacity [kW]
- SHC Sensible heat capacity [kW]
- PI Power input [kW]

Notes

- 1) The bold cells indicate the standard conditions.
- 2) The capacities are based on the following conditions:
Corresponding refrigerant piping length: -5- m
Level difference: -0-m
- 3) The air flow rate and bypass factor are mentioned in the table.

4D133679

FTXA25A / RXA25A9

Cooling

-50-Hz -220 - 240-V

AFR	11,5
BF	0,167

Indoor temperature		Outdoor temperature [°C DB]																	
EWB	EDB	20			25			30			32			35			40		
°C	°C	TC	SHC	PI	TC	SHC	PI	TC	SHC	PI	TC	SHC	PI	TC	SHC	PI	TC	SHC	PI
14	20	2,56	2,12	0,43	2,44	2,11	0,47	2,33	2,11	0,51	2,28	2,11	0,53	2,21	2,12	0,55	2,10	2,10	0,60
16	22	2,68	2,00	0,43	2,56	1,98	0,47	2,44	1,96	0,52	2,40	1,96	0,53	2,33	1,96	0,56	2,21	1,97	0,60
18	25	2,79	2,16	0,43	2,68	2,15	0,48	2,56	2,16	0,52	2,51	2,17	0,53	2,44	2,19	0,56	2,33	2,24	0,60
19	27	2,85	2,42	0,44	2,73	2,46	0,48	2,62	2,52	0,52	2,57	2,57	0,54	2,50	2,50	0,56	2,38	2,38	0,60
22	30	3,02	2,14	0,44	2,91	2,14	0,48	2,79	2,17	0,52	2,74	2,18	0,54	2,67	2,21	0,56	2,56	2,27	0,61
24	32	3,14	1,97	0,44	3,02	1,97	0,48	2,90	1,98	0,53	2,86	1,98	0,54	2,79	2,00	0,57	2,67	2,03	0,61

Heating

-50-Hz -220 - 240-V

AFR	11,1
-----	------

Indoor temperature		Outdoor temperature [°C WB]											
EDB		-15		-10		-5		0		6		10	
°C	°C	TC	PI	TC	PI	TC	PI	TC	PI	TC	PI	TC	PI
15	15	1,33	0,36	1,60	0,42	1,87	0,42	2,14	0,52	2,90	0,55	3,15	0,57
20	20	1,25	0,37	1,52	0,43	1,79	0,43	2,06	0,53	2,80	0,56	3,05	0,58
22	22	1,22	0,37	1,49	0,43	1,76	0,43	2,02	0,54	2,76	0,57	3,01	0,58
24	24	1,19	0,38	1,45	0,43	1,72	0,43	1,99	0,54	2,72	0,57	2,98	0,59
25	25	1,17	0,38	1,44	0,44	1,71	0,44	1,98	0,54	2,70	0,57	2,96	0,59
27	27	1,14	0,38	1,41	0,44	1,67	0,44	1,94	0,55	2,66	0,58	2,92	0,60

Symbols

- AFR Air flow rate [m³/min]
- BF Bypass factor
- EWB Entering wet-bulb temperature (°C WB)
- EDB Entering dry-bulb temperature (°C DB)
- TC Total capacity [kW]
- SHC Sensible heat capacity [kW]
- PI Power input [kW]

Notes

- 1) The bold cells indicate the standard conditions.
- 2) The capacities are based on the following conditions:
Corresponding refrigerant piping length: -5- m
Level difference: -0-m
- 3) The air flow rate and bypass factor are mentioned in the table.

4D133680

4 Capacity tables

4 - 1 Cooling Capacity Tables

4

FTXA35A / RXA35A9

Cooling

-50- Hz -220 - 240- V

AFR	11,9
BF	0,189

Indoor temperature		Outdoor temperature [°C DB]																	
EWB	EDB	20			25			30			32			35			40		
		TC	SHC	PI	TC	SHC	PI	TC	SHC	PI	TC	SHC	PI	TC	SHC	PI	TC	SHC	PI
14	20	3,48	2,66	0,60	3,33	2,61	0,65	3,17	2,57	0,71	3,10	2,56	0,73	3,01	2,54	0,77	2,85	2,53	0,83
16	22	3,64	2,53	0,60	3,48	2,47	0,66	3,32	2,43	0,72	3,26	2,41	0,74	3,17	2,39	0,77	3,01	2,36	0,83
18	25	3,80	2,66	0,60	3,64	2,63	0,66	3,48	2,60	0,72	3,42	2,59	0,74	3,32	2,59	0,78	3,16	2,59	0,83
19	27	3,87	2,90	0,61	3,72	2,89	0,66	3,56	2,89	0,72	3,49	2,90	0,74	3,40	2,91	0,78	3,24	2,97	0,84
22	30	4,11	2,61	0,61	3,95	2,59	0,67	3,79	2,57	0,73	3,73	2,57	0,75	3,63	2,56	0,78	3,48	2,58	0,84
24	32	4,27	2,44	0,61	4,11	2,41	0,67	3,95	2,38	0,73	3,89	2,38	0,75	3,79	2,37	0,79	3,63	2,36	0,84

Heating

-50- Hz -220 - 240- V

AFR	11,5
-----	------

Indoor temperature		Outdoor temperature [°C WB]											
EDB	°C	-15		-10		-5		0		6		10	
		TC	PI	TC	PI	TC	PI	TC	PI	TC	PI	TC	PI
15	15	1,90	0,64	2,29	0,74	2,67	0,74	3,06	0,92	4,14	0,97	4,50	1,00
20	20	1,79	0,66	2,17	0,75	2,56	0,75	2,94	0,94	4,00	0,99	4,36	1,02
22	22	1,74	0,66	2,12	0,76	2,51	0,76	2,89	0,95	3,94	1,00	4,31	1,03
24	24	1,69	0,67	2,08	0,77	2,46	0,77	2,85	0,96	3,89	1,01	4,25	1,04
25	25	1,67	0,67	2,05	0,77	2,44	0,77	2,82	0,96	3,86	1,01	4,22	1,04
27	27	1,62	0,68	2,01	0,78	2,39	0,78	2,77	0,97	3,81	1,02	4,17	1,05

Symbols

- AFR Air flow rate [m³/min]
- BF Bypass factor
- EWB Entering wet-bulb temperature (°C WB)
- EDB Entering dry-bulb temperature (°C DB)
- TC Total capacity [kW]
- SHC Sensible heat capacity [kW]
- PI Power input [kW]

Notes

- 1) The bold cells indicate the standard conditions.
- 2) The capacities are based on the following conditions:
Corresponding refrigerant piping length: -5- m
Level difference: -0m
- 3) The air flow rate and bypass factor are mentioned in the table.

4D133681

5 Dimensional drawings

5 - 1 Dimensional Drawings

ARXM25-35R9
 RXM20-35R9
 RXA20-35A9
 RXJ20-35M9

Drain outlet

574

105.5

490

13

29.5

311

4 holes for anchor bolts

350

284.2

44.8

112

840

765

63

Brand name label

Manufacturer label

In case of removing the stop valve cover.

Outdoor air temperature thermistor

Wiring intake

Service port

Caution label

Liquid stop valve
 Ø6.4 CuT

105

165

231

Gas stop valve
 Ø9.5 CuT

19

Nameplate

Product liability label

Minimum space for air passage

Wall height on air outlet side < 1200 mm

100

150

50

150

300

50

50

100

100

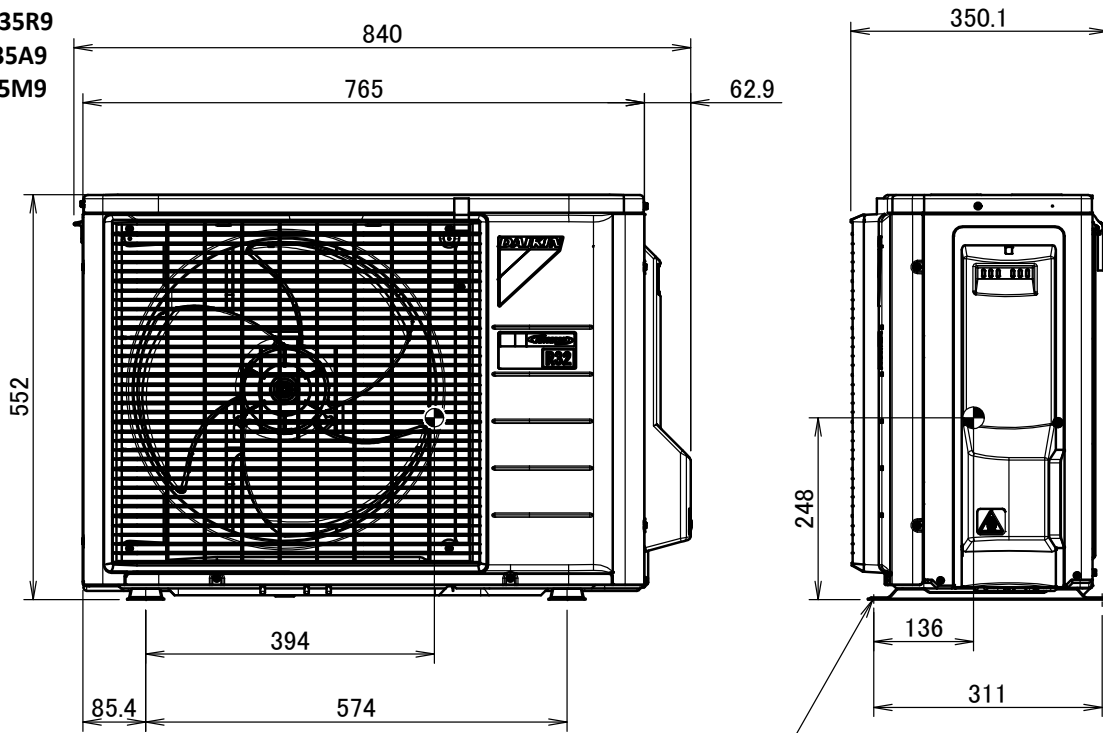
3D119881A

6 Centre of gravity

6 - 1 Centre of Gravity

6

ARXM25-35R9
RXM20-35R9
RXA20-35A9
RXJ20-35M9



Foundation bolt hole

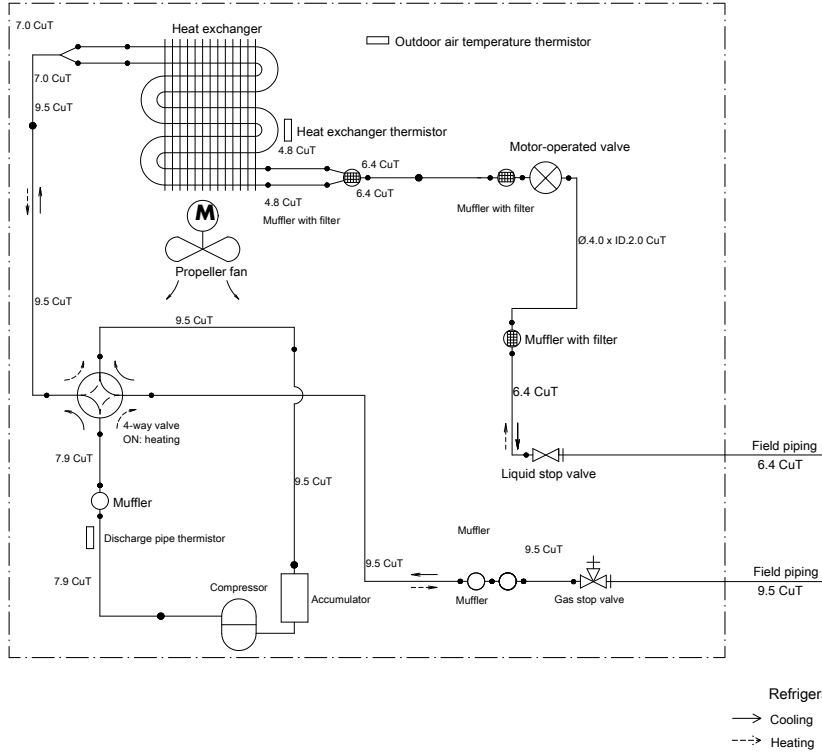
4D119880

7 Piping diagrams

7 - 1 Piping Diagrams

ARXM25-35R9
 RXM20-35R9
 RXA20-35A9
 RXJ20-35M9

Outdoor unit

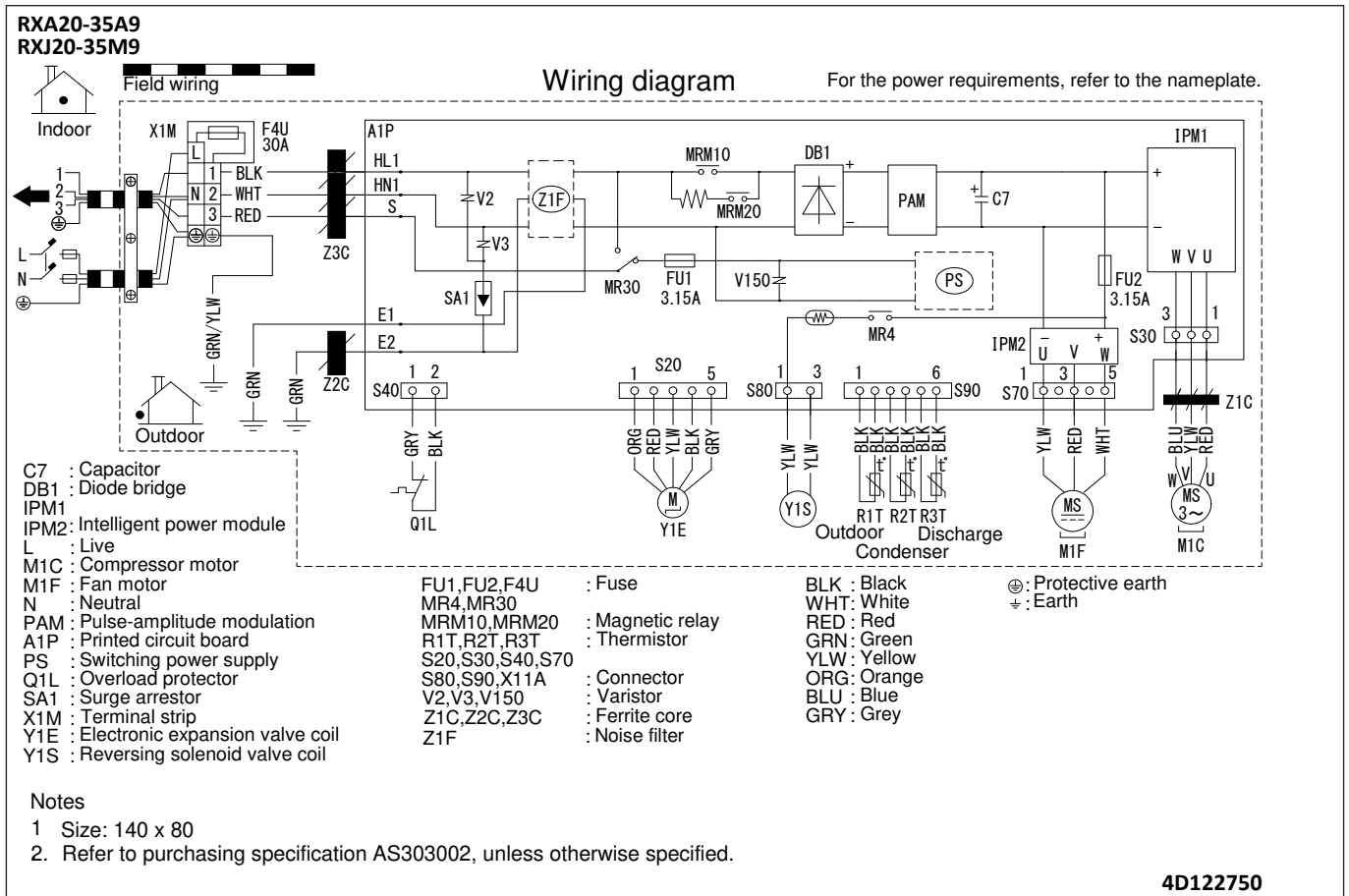


3D091995B

8 Wiring diagrams

8 - 1 Wiring Diagrams - Single Phase

8

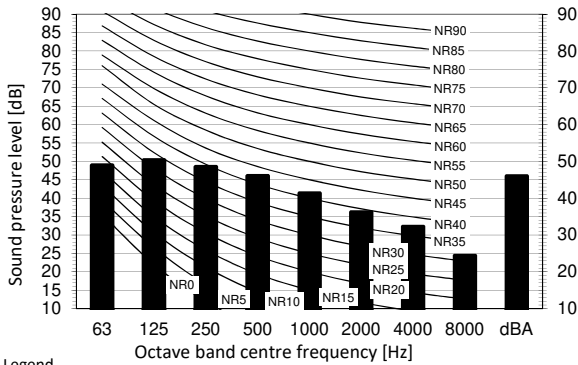


9 Sound data

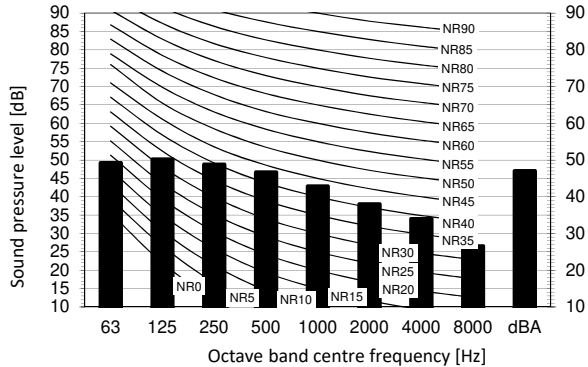
9 - 1 Sound Pressure Spectrum

RXM20R9
RXA20A9
RXJ20M9

Cooling mode



Heating mode

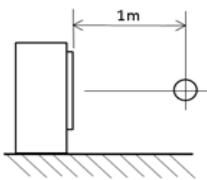


Legend

dBA = A-weighted sound pressure level (A scale according to IEC).

- A Scale
- B Fan speed: High

Location of microphone



Cooling		Total dB
A	B	
dBA		46

Heating		Total dB
A	B	
dBA		47

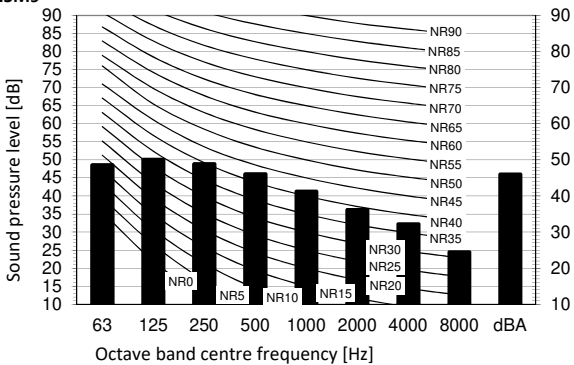
Notes

- 1 Background noise already taken into account.
- 2 Operating conditions: power source 220-240 V/220 V 50/60 Hz; JIS standard
- 3 Operating noise varies depending on operation and ambient conditions.
- 4 The operation noise measuring method is in accordance with JISC9612.
- 5 Measuring location: anechoic chamber

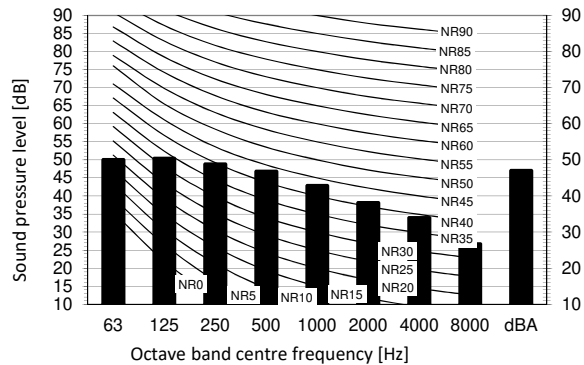
3D110121A

ARXM25R9
RXM25R9
RXA25A9
RXJ25M9

Cooling mode



Heating mode

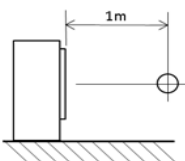


Legend

dBA = A-weighted sound pressure level (A scale according to IEC).

- A Scale
- B Fan speed: High

Location of microphone



Notes

- 1 Background noise already taken into account.
- 2 Operating conditions: power source 220-240 V/220 V 50/60 Hz; JIS standard
- 3 Operating noise varies depending on operation and ambient conditions.
- 4 The operation noise measuring method is in accordance with JISC9612.
- 5 Measuring location: anechoic chamber

Cooling		Total dB
A	B	
dBA		46

Heating		Total dB
A	B	
dBA		47

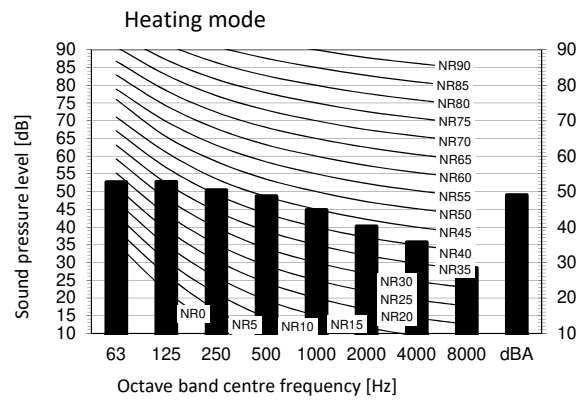
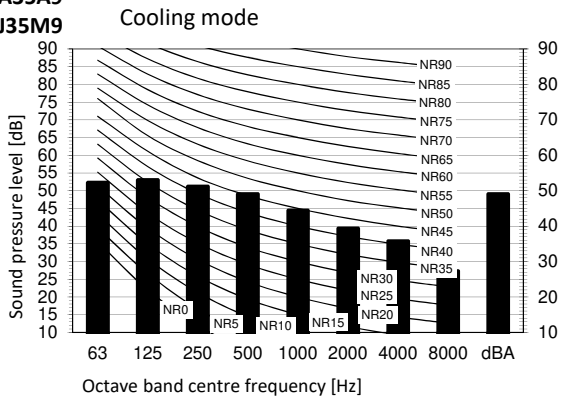
3D110122A

9 Sound data

9 - 1 Sound Pressure Spectrum

9

ARXM35R9
RXM35R9
RXA35A9
RXJ35M9



Legend

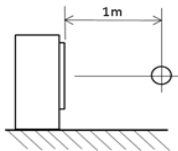
dBA = A-weighted sound pressure level (A scale according to IEC).

- A Scale
- B Fan speed: High

Notes

- 1 Background noise already taken into account.
- 2 Operating conditions: power source 220-240 V/220 V 50/60 Hz; JIS standard
- 3 Operating noise varies depending on operation and ambient conditions.
- 4 The operation noise measuring method is in accordance with JISC9612.
- 5 Measuring location: anechoic chamber

Location of microphone



Cooling		Total dB	
A	B		
dBA			49

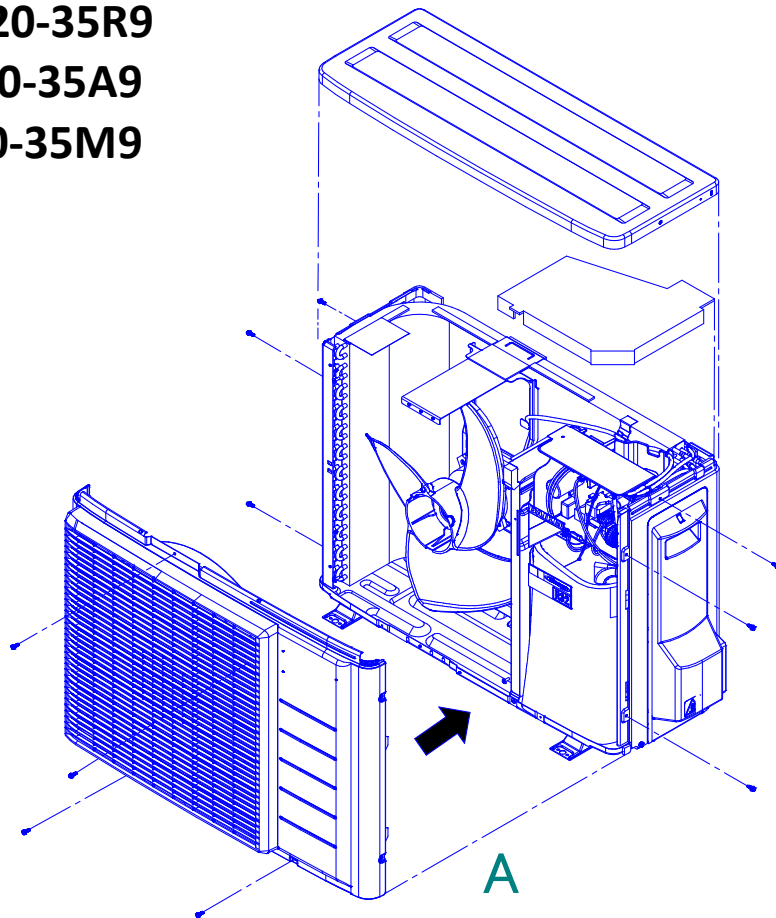
Heating		Total dB	
A	B		
dBA			49

3D110123A

10 Installation

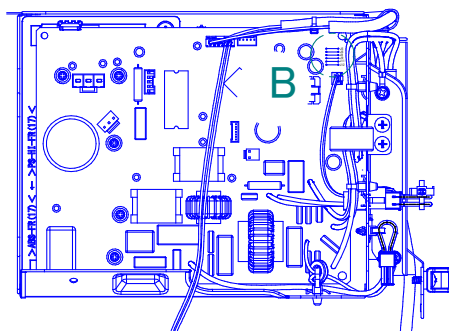
10 - 1 Installation Method

ARXM25-35R9
RXM20-35R9
RXA20-35A9
RXJ20-35M9

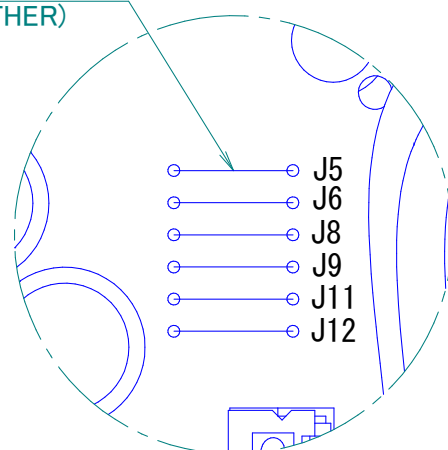


DISASSEMBLY OF UNIT

CUT JUMPER J5 WITH PLIERS
(CUT PARTS SHALL NOT TOUCH EACH OTHER)
(DO NOT DAMAGE OTHER JUMPERS)



ARROW VIEW A
EL. COMPO. ASSY



DETAIL B

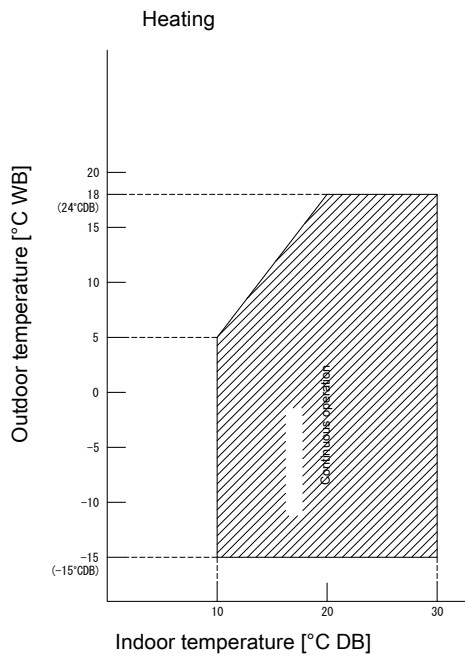
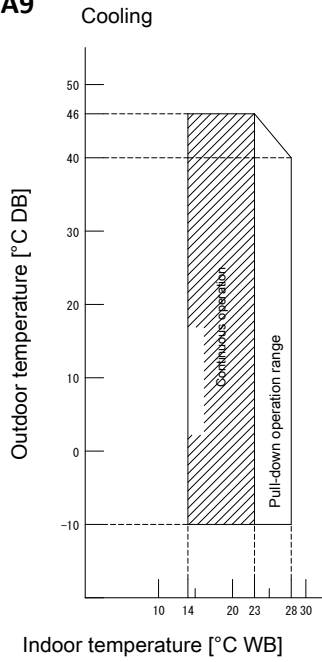
4D133752

11 Operation range

11 - 1 Operation Range

11

RXJ20-35M9
RXA20-35A9

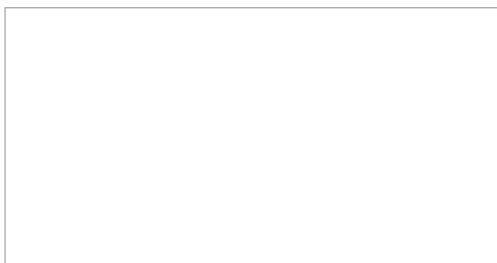


Notes

- The graph is based on the following conditions.
 Corresponding refrigerant piping length: 5 m
 Level difference: 0m
 Air flow rate High

3D092127E

Daikin Europe N.V. Naamloze Vennootschap · Zandvoordestraat 300 · 8400 Oostende · Belgium · BE 0412 120 336 · RPR Oostende (Responsible Editor)



Daikin Europe N.V. participates in the Eurovent Certified Performance programme for Fan Coil Units and Variable Refrigerant Flow systems. Check ongoing validity of certificate:

EEEN21

04/2021



The present publication is drawn up by way of information only and does not constitute an offer binding upon Daikin South Africa. Daikin South Africa has compiled the content of this publication to the best of its knowledge. No express or implied warranty is given for the completeness, accuracy, reliability or fitness for particular purpose of its content and the products and services presented therein. Specifications are subject to change without prior notice. Daikin South Africa explicitly rejects any liability for any direct or indirect damage, in the broadest sense, arising from or related to the use and/or interpretation of this publication. All content is copyrighted by Daikin South Africa.