



Big Foot Multi Foot

Pipework | Ductwork | Cable Trays

Typical Application

The Multi Foot is designed to be a multi-purpose support for ductwork, pipework and cable trays or any combination of these.

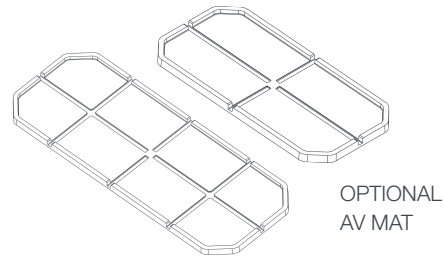
This extremely versatile and cost effective one-piece support is available in two sizes with optional AV mats. Multi Foot can be used to support small and large pipework systems, cable trays, ductwork or any combination of these.

- 40mm x 20mm Aluminium channel (horizontally)
- 41mm x 41mm Strut (vertically)
- 41mm x 21mm Strut (horizontally)
- M12 Threaded drop rod (vertically)

PLEASE NOTE: The Multi Foot is supplied WITHOUT any fixings or fittings.

FEET FLEECES

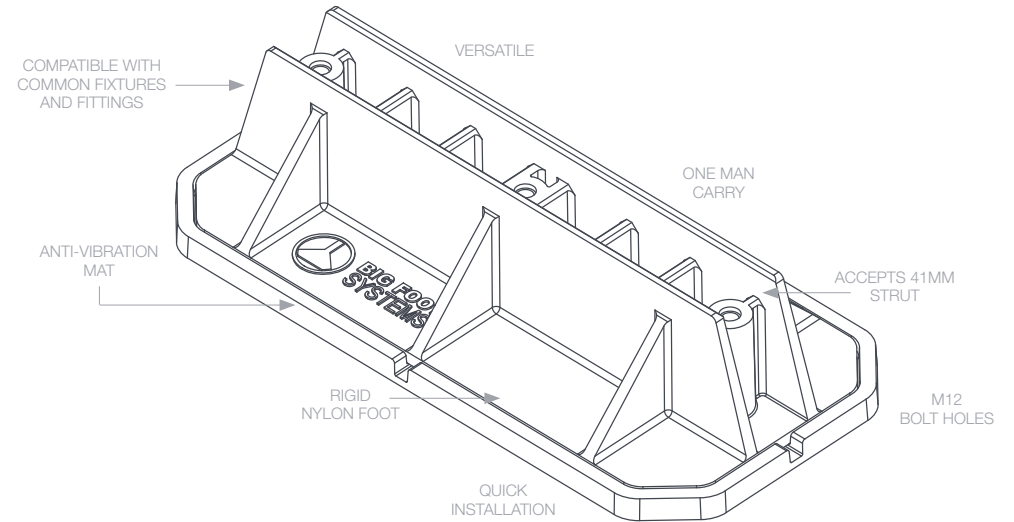
Recommended for use on PVC membrane roof surfaces to prevent migration of plasticizers.



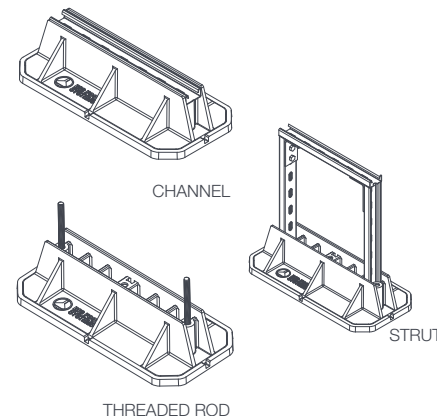
Technical Information

Model	Part No.	Height (mm)	Width (mm)	Length (mm)	Max. Loading per Foot (kg)	Packaged Weight (kg)
Small	B6357	95	180	400	77	1.7
Large	B6359	95	220	600	142	2.8
Small AV	B6358	10	185	405	-	2.5
Large AV	B6360	10	225	605	-	4.5

To provide loading of 10 Kn/m²



Multi Foot Applications



Material Specification

MULTI FOOT

Nylon 6 B601L 30% Glass Fibre Filled

ANTI-VIBRATION MAT

SBR-Recycled Rubber. Bound using a ratio of high quality moisture curing Polyurethane Pre-Polymer. BS7188:1989 & BS5696 Part 3:1979

WORKING CONDITIONS

Suitable for internal or external applications in temperatures between -40°C to +80°C