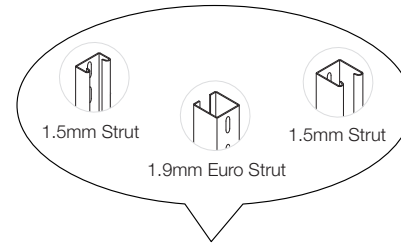
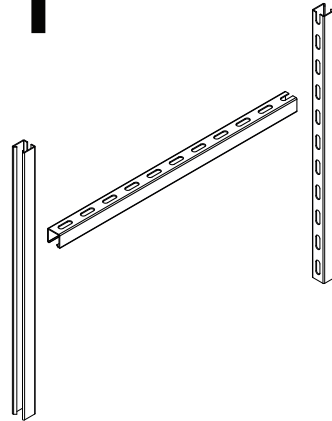


# H Frame Assembly

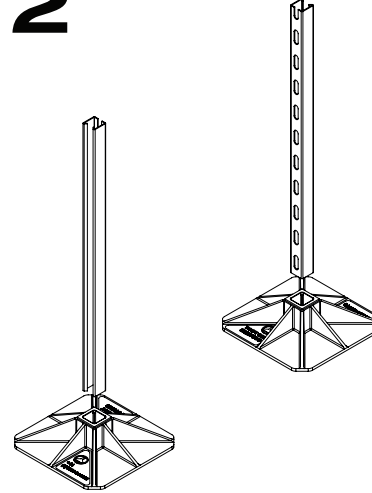


- 1 Cut horizontal and vertical strut to size
- 2 Place vertical strut into feet
- 3 Connect angled brackets to vertical struts using fixing kit provided
- 4 Connect x2 horizontal strut to the vertical strut with supplied brackets x4
- 5 Position on-site

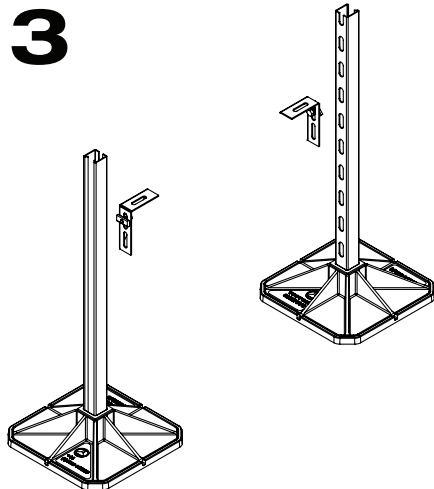
**1**



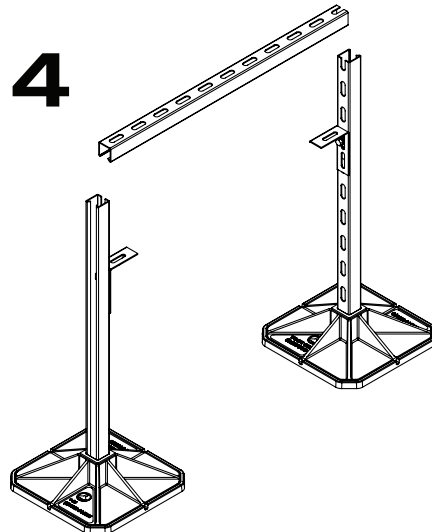
**2**



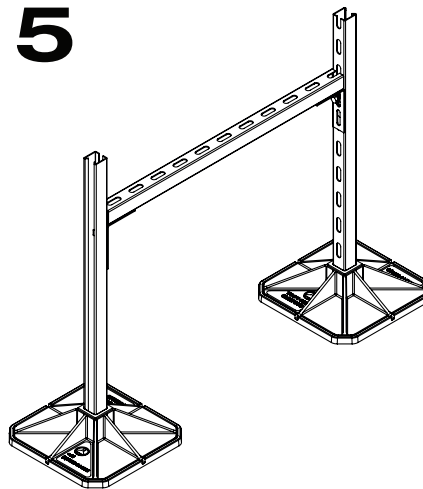
**3**



**4**

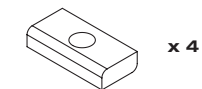
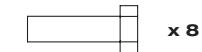
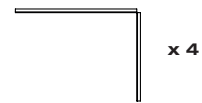
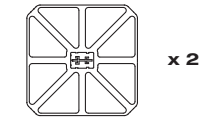


**5**



## Big Foot 305 H Frame Set

### CONTENTS



### CONTACT

+44 (0)1323 844 355

Big Foot Systems Ltd  
Apex Way Hailsham  
East Sussex BN27 3WA  
United Kingdom

