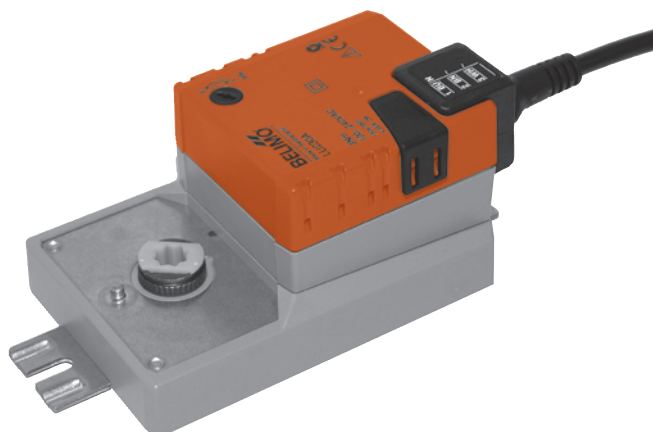


Full-rotation actuator for operating air control dampers and shutters in ventilation and air-conditioning systems for building services installations

- For air control dampers up to approx. 0.6 m<sup>2</sup>
- Torque 3 Nm
- Nominal voltage AC 100 ... 240 V
- Control: Open-close or 3-point
- Spindle driver: Form-fit 12 mm or 8 mm (with insert)


**Technical data**

<b>Electrical data</b>	Nominal voltage	AC 100 ... 240 V, 50/60 Hz	
	Nominal voltage range	AC 85 ... 265 V	
	Power consumption	In operation	2 W @ nominal torque
		At rest	1 W
	For wire sizing	4.5 VA	
	Connection	Cable 1 m, 3 x 0.75 mm <sup>2</sup>	
<b>Functional data</b>	Torque	Min. 3 Nm @ nominal voltage	
	Direction of rotation	Reversible with switch 0 ↺ or 1 ↻	
	Manual override	Gearing latch disengaged with pushbutton, self-resetting	
	Angle of rotation	Endless (adjustable 0 ... 330° ↻ with angle of rotation limiter ZDB-LU)	
	Running time	150 s / 360° ↻	
	Sound power level	max. 35 dB (A)	
	Spindle driver	Form-fit 12 mm or 8 mm (with insert)	
<b>Safety</b>	Protection class	II Totally insulated ☐	
	Degree of protection	IP54 in any mounting position	
	EMC	CE according to 89/336/EEC	
	Low voltage directive	CE according to 73/23/EEC	
	Mode of operation	Type 1 (EN 60730-1)	
	Rated impulse voltage	4 kV (EN 60730-1)	
	Control Pollution Degree	3 (EN 60730-1)	
	Ambient temperature range	-30 ... +50°C	
	Non-operating temperature	-40 ... +80°C	
	Ambient humidity range	95% r.H., non-condensating (EN 60730-1)	
	Maintenance	Maintenance-free	
<b>Dimensions / Weight</b>	Dimensions	See «Dimensions» on page 2	
	Weight	Approx. 650 g	

**Safety notes**


- The actuator is not allowed to be used outside the specified field of application, especially not in aircraft or any other form of air transport.
- **Caution: Power supply voltage !**
- **Assembly must be carried out by trained personnel. Any legal regulations or regulations issued by authorities must be observed during assembly.**
- The device may only be opened at the manufacturer's site. It does not contain any parts that can be replaced or repaired by the user.
- Mechanical interfaces which are not expressly envisaged by BELIMO for the LU230A must not be created.
- The cable must not be removed from the device.
- When calculating the required torque, the specifications supplied by the damper manufacturers (cross section, design, installation site), and the air flow conditions must be observed.
- The device contains electrical and electronic components and is not allowed to be disposed of as household refuse. All locally valid regulations and requirements must be observed.

**Product features**

- Simple direct mounting** Form-fit direct mounting on a 12 mm or 8 mm damper spindle (with insert). The actuator can also be optionally equipped with a 10 mm form fit or an 8 ... 12 mm clamp (see «Accessories»).
- Manual override** Manual operation is possible with the self-resetting pushbutton (the gearing latch remains disengaged as long as the pushbutton is pressed).
- Adjustable angle of rotation** The angle of rotation of the full-rotation actuator can be adjusted in 10° increments between 0 and 330° with mechanical end stops.
- High functional reliability** The actuator is overload-proof, requires no limit switches and automatically stops when the end stop is reached.

**Accessories**

	Description
<b>Mechanical accessories</b>	Form-fit insert 10 x 10 mm, type ZF10-LU
	Clamp with 8 ... 12 mm clamping range and anti-rotation strap, type K-LU
	Angle of rotation limiter 0 ... 330°, type ZDB-LU

**Electrical installation**

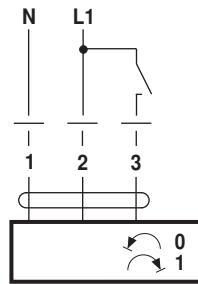
**Wiring diagrams**

**Notes**

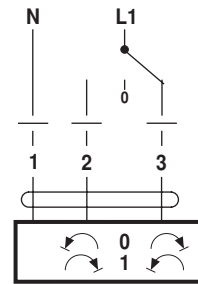
- Caution: Power supply voltage !
- Other actuators can be connected in parallel. Please note the performance data.



**Open-close control**



**3-point control**

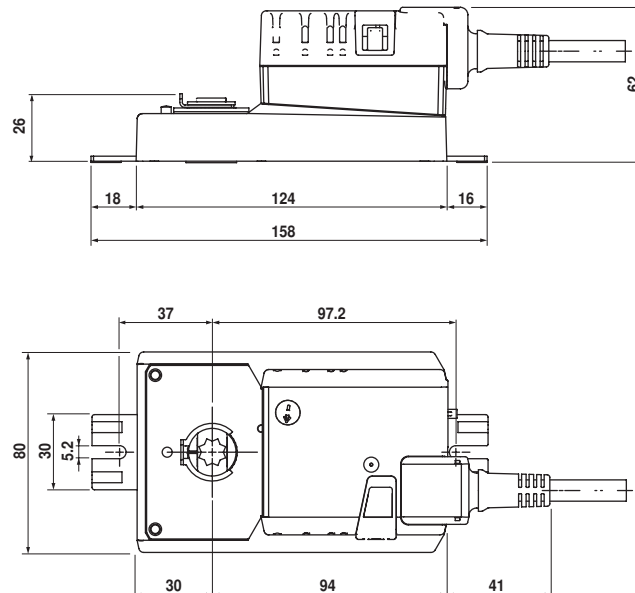


Direction of rotation



**Dimensions [mm]**

**Dimensional drawings**



Damper spindle	Length	■ I
	min. 20	12 or 8 (with insert)

