

Actuator for smoke control dampers 180°↺, integrated in the SBSE-Control control and monitoring system.

- Torque 24 Nm
- Nominal voltage AC/DC 24 V
- Control: Open/close
- Damper rotation: 12 mm form-fit



Technical Data

Electrical data	Nominal voltage	AC 24 V, 50/60 Hz / DC 24 V		
	Nominal voltage range	AC 19.2 ... 28.8 V / DC 21.6 ... 28.8 V		
	Switching thresholds	min. ON voltage	AC 19.2 V / DC 21.6 V	
		max. OFF voltage	AC 6.5 V / DC 6.5 V	
	Power consumption	motoring	13 W @ nominal torque	
		holding	0.5 W	
		for wire sizing	18 VA / I _{max.} 8.2 A @ 5 ms	
	Auxiliary switch	2 x 1 SPDT		
	Contact rating (contacts gold plate on silver)	1 mA ... 6 A, DC 5 V ... AC 250 V <input type="checkbox"/>		
	Switching points	5°↺ / 175°↺		
Tolerance	±2			
Connecting cable	motor	1 m, 3 x 0.75 mm ² (halogen-free) with plug connectors, suitable for BKNE230-24		
	auxiliary switch	1 m, 6 x 0.75 mm ² (halogen-free) with plug connectors, suitable for BKNE230-24		
Functional data	Torque (nominal torque)	Min. 24 Nm @ nominal voltage		
	Blocking torque	dynamic	24 Nm	
		steady-state	30 Nm	
	Direction of rotation	Selected by mounting L/R		
	Angle of rotation	Max. 180°↺		
	Running time	<60 s		
	Sound power level	Max. 62 dB (A)		
	Damper rotation	Form-fit 12 mm		
	Position indication	Mechanical with pointer		
	Service life	At least 10'000 cycles		
Safety	Protection class	III Safety extra-low voltage		
	Degree of protection	IP54 in all mounting positions		
	EMC	CE according to 89/336/EEC, 92/31/EEC, 93/68/EEC		
	Mode of operation	Type 1.B (according to EN60730-1)		
	Rated impulse voltage	0.8 kV (according to EN60730-1)		
	Control pollution degree	3 (according to EN60730-1)		
	Ambient temperature range	normal duty	-30 ... +50°C	
		safety duty	See «Safety function» on page 2	
	Non-operating temperature	-40 ... +80°C		
	Ambient humidity range	According to EN 60730-1		
Maintenance	Maintenance-free			
Dimensions / weight	Dimensions	See «Dimensions» on page 3		
	Weight	Approx. 2'700 g		

Safety notes



- The actuator is not allowed to be used outside the specified field of application, especially in aircraft or in any other airborne means of transport.
- The actuator is adapted and mounted to the fire and smoke damper by the damper manufacturer. For this reason, the actuator is only supplied direct to safety damper manufacturers. The manufacturer then bears full responsibility for the proper functioning of the damper.
- The device may only be opened at the manufacturer's site. It does not contain any parts that can be replaced or repaired by the user.
- The device contains electronic and electrical components and may not be disposed of with the household waste. Observe local regulations and valid laws.

Product features

Mode of operation Open-Close control is exercised via the BKNE230-24 communication and power unit.

Signalling The limit switches incorporated into the actuator signal the position of the damper to the SBSE-Control system that is monitoring it. The position of the damper blade can also be seen from a mechanical position indicator.

Manual operation The crank handle supplied with the actuator allows it to be operated manually. It also allows a functional test of the damper to be performed very easily.

Connection to SBSE-Control The actuator is fitted with plugs. In this way, it can be connected via a communication and power supply unit (see «accessories») in the SBSE-Control control and monitoring system.

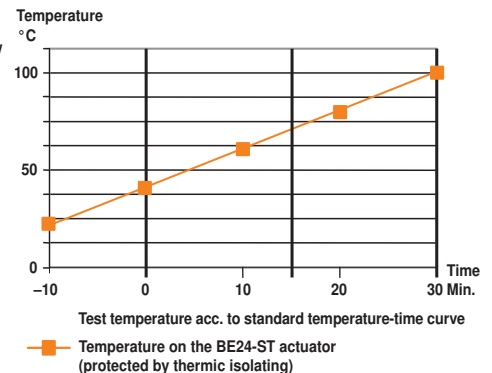
Plug connectors



Direction of rotation The direction of rotation of the actuator depends on the SBSE-Control system and the plugging connections. In response to the damper OPEN command (for smoke extraction) the actuator runs to the 180° ↺ position; in response to the damper CLOSE command (for cease smoke extraction) it runs to the 0° ↺.

- Standards and specifications** The design of the actuator is based on the following standards and specifications:
- Draft DIN 18232, Part 6, Sept. 1992
 - Fire protection in industrial buildings
 - Smoke and heat extraction systems
 - Preliminary standard ÖNORM H 6029, May 1997
 - Ventilation systems
 - Fire smoke extraction systems
 - Extracts from:
 - CEN/TC191, 1996
 - prEN12101-8 (Smoke and heat control systems – Specifications for smoke control dampers)

Safety function The safety function is guaranteed within the temperature range shown in the diagram below which is based on standard ÖNORM H 6029 and DIN 18232.

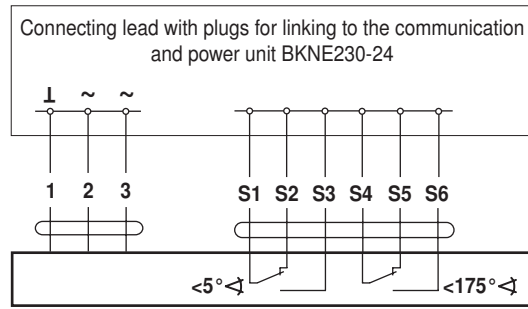


Accessories

	Description	Type
Electrical accessories Communication and power unit	Cable set with plug (L=0.5 m) for BE on BKNE230-24	ZST-BS
	For integration in the SBSE-Control network	BKNE230-24

Electrical installation

Wiring diagram Application with the SBSE-Control damper control and monitoring system



Dimensions [mm]

Dimensional diagrams

