

Actuator for smoke control dampers 90° ↺.

- Torque 40 Nm
- Nominal voltage AC 230 V
- Control: Open/close
- Damper rotation:
BE230: 14 mm form-fit
BE230-12: 12 mm form-fit


Technical Data

Electrical data	Nominal voltage	AC 230 V, 50/60 Hz
	Nominal voltage range	AC 198 ... 264 V
	Switching thresholds	min. ON voltage AC 198 V max. OFF voltage AC 100 V
	Power consumption	motoring 8 W @ nominal torque holding 0.5 W for wire sizing 15 VA / I _{max} . 7.9 A @ 5 ms
	Auxiliary switch	2 x SPDT
	Contact rating (contacts gold plate on silver)	1 mA ... 6 A, DC 5 V ... AC 250 V ☐
	Switching points	3° ↺ / 87° ↺ (referred to 0 ... 90° ↺)
	Tolerance	±2
	Connecting cable	motor 1 m, 3 x 0,75 mm ² (halogen-free) auxiliary switch 1 m, 6 x 0,75 mm ² (halogen-free)
	Functional data	Torque (nominal torque)
Blocking torque		dynamic 40 Nm steady-state 50 Nm
Direction of rotation		Selected by mounting L/R
Angle of rotation		Max. 100° ↺ (incl. 5° ↺ mechanical overrun on each side)
Running time		<60 s for 90° ↺
Sound power level		Max. 62 dB (A)
Damper rotation		Form-fit 14 mm Form-fit 12 mm
Position indication		Mechanical with pointer
Service life		At least 10'000 cycles
Safety		Protection class
	Degree of protection	IP54 in any mounting position
	EMC	CE according to 2004/108/EC CE according to 2006/95/EC
	low-voltage directive	CE according to 2006/95/EC
	Mode of operation	Type 1.B (EN60730-1)
	Rated impulse voltage	4 kV (EN60730-1)
	Control pollution degree	3 (EN60730-1)
	Ambient temperature range	normal duty -30 ... +50 °C safety duty See «Safety function» on page 2
	Non-operating temperature	-40 ... +80 °C
	Ambient humidity range	According to EN 60730-1
Maintenance	Maintenance-free	
Dimensions / weight	Dimensions	See «Dimensions» on page 3
	Weight	Approx. 2.7 kg

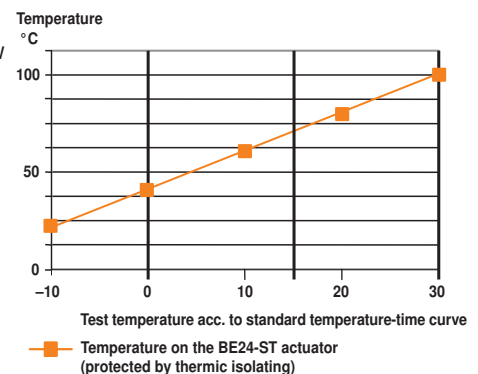
Safety notes



- The actuator is not allowed to be used outside the specified field of application, especially in aircraft or in any other airborne means of transport.
- **Caution: Power supply voltage!**
- The actuator is adapted and mounted to the fire and smoke damper by the damper manufacturer. For this reason, the actuator is only supplied direct to safety damper manufacturers. The manufacturer then bears full responsibility for the proper functioning of the damper.
- Since very high values of torque are exerted on the damper spindle it is advisable to use steel of at least grade St50.
- The device may only be opened at the manufacturer's site. It does not contain any parts that can be replaced or repaired by the user.
- The device contains electronic and electrical components and may not be disposed of with the household waste. Observe local regulations and valid laws.

Product features

Mode of operation	Open/Close control is effected by means of a 2-wire system. The actuator is overload-proof and therefore remain energized while stationary at the end-stops.
Signalling	Two microswitches with fixed settings are installed in the actuator for indicating the damper end positions. The position of the damper blade can be read off on a mechanical position indicator.
Manual operation	The crank handle supplied with the actuator allows it to be operated manually. It also allows a functional test of the damper to be performed very easily.
Standards and specifications	The design of the actuator is based on the following standards and specifications: <ul style="list-style-type: none"> • Draft DIN 18232, Part 6, Sept. 1992 <ul style="list-style-type: none"> – Fire protection in industrial buildings – Smoke and heat extraction systems • Preliminary standard ÖNORM H 6029, May 1997 <ul style="list-style-type: none"> – Ventilation systems – Fire smoke extraction systems • Extracts from: <ul style="list-style-type: none"> – CEN/TC191, 1996 – prEN12101-8 (Smoke and heat control systems – Specifications for smoke control dampers)
Safety function	The safety function is guaranteed within the temperature range shown in the diagram below which is based on standard ÖNORM H 6029 and DIN 18232.

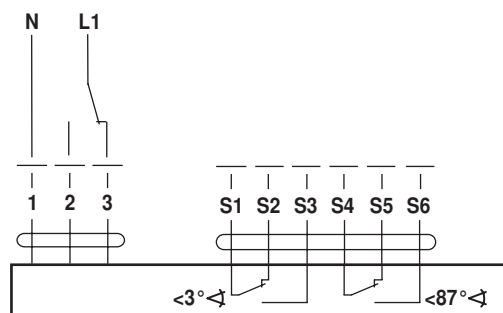


Electrical installation

Wiring diagram

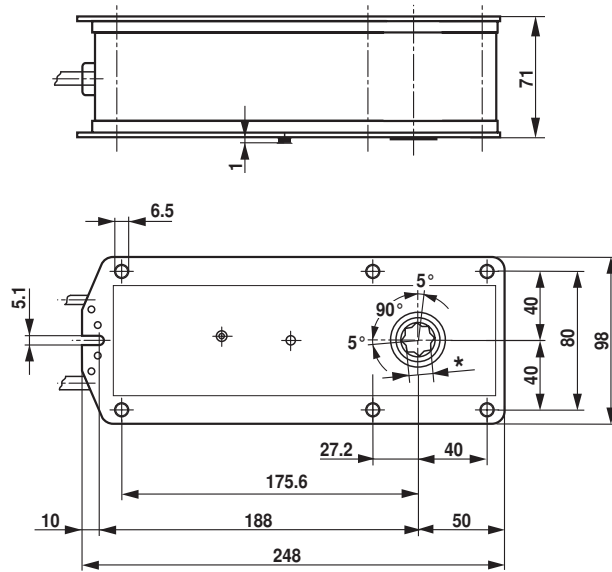
Note

- Supply via safety isolation transformer
- Parallel connection of several actuators possible. Power consumption and switching thresholds must be observed!



Dimensions [mm]

Dimensional diagrams



Type	Damper driver
BE230	Form-fit 14.2 mm
BE230-12	Form-fit 12.2 mm