

NSH Air cooled heat pumps with axial fans. Cooling capacity from 236 up to 732 kW, heating capacity from 275 up to 812 kW with twin-screw compressor

R134a



Aermec adhere to the EUROVENT Certification program up to 600 kW. The products concerned appear in the EUROVENT Certified product guide.



Features

- R134a refrigerant
- High efficiency both in cooling and heating mode, also at part loads
- Compact size
- Screw compressors with 40-100% stepless capacity control, with soundproofing enclosure as a standard
- Shell and tube heat exchanger optimized as evaporator and condenser
- Electronic expansion valve as a standard
- Economizer circuit with plate heat exchanger for performance boost above all at high pressure ratios, for example at low ambient conditions in heating mode
- Generously sized refrigerant piping for minimum pressure drop
- Modular microprocessor control with multi-language user interface
- Extremely robust structure with rustproof polyester paint
- Extensive choice of models and versions
 - 17 sizes (4 single, 13 double circuit)
 - 4 versions: standard [P], low noise[L], high efficiency [A], low noise high efficiency [E]
 - Optional partial heat recovery
 - Optional pumping station (single pump and expansion vessel)
 - Optional inverter fans with static pressure available
 - Coil with aluminum, pre-coat, copper or tinned copper fins.
- Wide operating limits
 - Max leaving water temperature in heating 55°C
 - Max outdoor temperature in cooling: 48° C for high efficiency versions, 44° C for standard versions
- Min outdoor temperature in heating: -7° C for high efficiency versions, -3° C for standard versions
- Low sound level
- Low noise axial fans with aerodynamic blades
- Soundproofing compressor enclosure as a standard
- For low noise versions:
 - Silencer on compressor discharge line
 - Reduced fan speed by means of a continuous phase-cut control (DCPX)
- Optional acoustic kit AK, including enhanced soundproofing enclosures and additional insulation

Accessories

- **AER485P1:** RS-485 interface for supervision systems with MODBUS protocol.
- **AVX:** Anti-vibration spring supports. For AVX compatibility. refer to the technical manual.
- **DCPX:** It is made up of an electronic regulation card that varies the fan rpm on the basis of the condensation pressure. Low temperature device for operation of outdoor units at ambient temperatures from less than 19°C down to -10°C. Standard for versions HD and HL-HE.
- **KRS:** includes evaporator electric heater **Accessories can only be fitted in the factory**
- **KRSDES:** evaporator electric heater and desuperheater electric heater **Accessories can only be fitted in the factory**
- **GP:** the safety grille protects external batteries from accidental impact and hail damage. **To be installed in the factory.**
- **PRV3:** This allows the refrigerator command operations to be given from a distance.
- **RIFNSH:** Current phase advancer. Parallel connection with the motor makes the reduction of input current possible. **This can only be installed when the machine is being made and must therefore be specified when the order is placed.** For RIF compatibility, refer to the technical manual.
- **AERWEB30:** the AERWEB device allows remote control of a chiller via a serial link from a standard PC. Using additional modules, the device allows to control the chiller via the telephone network, using the **AERMODEM** accessory; or via the GSM network, using the **AERMODEMGSM** accessory. L'AERWEB can pilot up to 9 chillers, each of which **must** be equipped with the AER485 or AER485P1 accessory.
- **AK: ACOUSTIC KIT (for HL-HE versions only)**
This accessory allows further noise reduction. It can only be installed when the machine is being made and must therefore be specified when the order is placed.
- **MULTICHILLER:** Control system to command, turn on and off the individual chillers in a system in which several units are installed in parallel.

Accessory compatibility

Mod. NSH	1251	1401	1601	1801	1402	1602	1802	2002
AER485P1	✓(x1)	✓(x1)	✓(x1)	✓(x1)	✓(x2)	✓(x2)	✓(x2)	✓(x2)
MULTICHILLER	✓	✓	✓	✓	✓	✓	✓	✓
AK-ACUSTIC KIT (1)	✓	✓	✓	✓	✓	✓	✓	✓
PRV3	✓	✓	✓	✓	✓	✓	✓	✓
AERWEB30	✓	✓	✓	✓	✓	✓	✓	✓
Mod. NSH	1251	1401	1601	1801	1402	1602	1802	2002
KRS (1)	KRS11	KRS11	KRS11	KRS11	KRS19	KRS19	KRS19	KRS19
KRSDES (1)(2)	KRS11DES	KRS11DES	KRS11DES	KRS11DES	KRS19DES	KRS19DES	KRS19DES	KRS19DES
Mod. NSH	1251	1401	1601	1801	1402	1602	1802	2002
RIFNSH	1251	1401	1601	1801	1402	1602	1802	2002
Mod. NSH	1251	1401	1601	1801	1402	1602	1802	2002
GP300M (1)	✓	✓	✓					
GP400M (1)				✓				
GP300B (1)					✓	✓		
GP400B (1)							✓	
GP500B (1)								✓
Mod.NSH	1251	1401	1601	1801	1402	1602	1802	2002
DCPX(3)(4)	DCPX69	DCPX69	DCPX69	DCPX69	DCPX68	DCPX68	DCPX68	DCPX73
Mod.NSH (version ° - L)	1251	1401	1601	1801	1402	1602	1802	2002
AVX (00)	536	536	536	539	537	538	541	542
AVX (PA)	536	536	536	539	537	538	541	543
AVX (PC)	536	536	536	540	537	538	541	543
AVX (PE)	536	536	536	540	537	538	541	543
AVX (PG)	536	536	536	540	538	538	541	543
AVX (PJ)	536	536	536	540	538	538	541	543
Mod.NSH (version A - E)	1251	1401	1601	1801	1402	1602	1802	2002
AVX (00)	536	536	536	540	537	538	541	543
AVX (PA)	536	536	536	540	537	538	541	543
AVX (PC)	536	536	536	540	538	538	541	543
AVX (PE)	536	536	536	540	538	538	541	543
AVX (PG)	536	536	536	540	538	538	541	543
AVX (PJ)	536	536	536	540	538	538	541	543

Accessory available for all versions

(1)Accessories can only be fitted in the factory

(2)The accessory KRSDES includes evaporator electric heater and desuperheater electric heater

(3) Standard for silenced version(L/E), with desuperheater(D)

(4)Fans Inverter (J): DCPX not necessary. The fans are already equipped with rpm regulator

Mod. NSH	2202	2352	2502	2652	2802	3002	3202	3402	3602
AER485P1	✓(x2)	✓(x2)	✓(x2)	✓(x2)	✓(x2)	✓(x2)	✓(x1)	✓(x1)	✓(x1)
MULTICHILLER	✓	✓	✓	✓	✓	✓	✓	✓	✓
AK-ACUSTIC KIT (1)	✓	✓	✓	✓	✓	✓	✓	✓	✓
PRV3	✓	✓	✓	✓	✓	✓	✓	✓	✓
AERWEB30	✓	✓	✓	✓	✓	✓	✓	✓	✓
Mod. NSH	2202	2352	2502	2652	2802	3002	3202	3402	3602
KRS (1)	KRS19	KRS19	KRS19	KRS19	KRS19	KRS14	KRS14	KRS14	KRS14
KRSDES (1)(2)	KRS19DES	KRS19DES	KRS19DES	KRS19DES	KRS19DES	KRS14DES	KRS14DES	KRS14DES	KRS14DES
Mod. NSH	2202	2352	2502	2652	2802	3002	3202	3402	3602
RIFNSH	2202	2352	2502	2652	2802	3002	3202	3402	3602
Mod. NSH	2202	2352	2502	2652	2802	3002	3202	3402	3602
GP500B (1)	✓	✓	✓	✓	✓				
GP300M+300M (1)						✓	✓		
GP300M+400M (1)								✓	
GP400M+400M (1)									✓
Mod.NSH	2202	2352	2502	2652	2802	3002	3202	3402	3602
DCPX(3)(4)	DCPX73	DCPX73	DCPX73	DCPX73	DCPX73	DCPX73	DCPX73	DCPX73	DCPX73
Mod.NSH (version ° - L)	2202	2352	2502	2652	2802	3002	3202	3402	3602
AVX(00)	544	545	547	549	549	552	552	557	558
AVX(PA)	544	546	547	549	550	553	553	557	558
AVX(PC)	544	546	547	549	550	553	555	557	558
AVX(PE)	544	546	547	549	550	553	555	557	558
AVX(PG)	544	546	548	550	550	553	555	557	558
AVX(PJ)	544	546	548	550	550	553	555	557	558
Mod.NSH (version A - E)	2202	2352	2502	2652	2802	3002	3202	3402	3602
AVX(00)	543	545	549	551	551	554	556	557	559
AVX(PA)	543	545	550	551	551	553	553	557	559
AVX(PC)	543	545	550	551	551	553	555	557	559
AVX(PE)	543	545	550	551	551	553	555	557	559
AVX(PG)	543	545	550	551	551	553	555	557	559
AVX(PJ)	543	545	550	551	551	553	555	557	559

Accessory available for all versions

(1)Accessories can only be fitted in the factory

(2)The accessory KRSDES includes evaporator electric heater and desuperheater electric heater

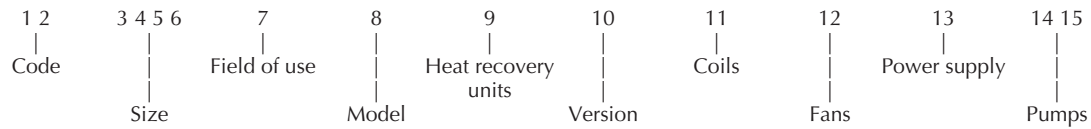
(3) Standard for silenced version(L/E), with desuperheater(D)

(4)Fans Inverter (J): DCPX not necessary. The fans are already equipped with rpm regulator

Choice of unit

By suitably combining the numerous options available, it is possible to configure each model in such a way as to meet the most particular of system requirements.

Field configurer:



Code:

NS

Size:

1251, 1401, 1601, 1801, 1402, 1602, 1802, 2002, 2202
2352, 2502, 2652, 2802,3002, 3202,3402, 3602

Field of use:

X - R134a VT electronic and minimum water temp. produced down to -6°C

Model:

H - Heat pump

Heat recovery units:

° - Without heat recovery units
D - With desuperheaters

Version:

° - Standard
L - Standard in silenced version
A - High efficiency
E - High efficiency in silenced version

Coils:

° - Aluminium
R - Copper
S - Tinned copper
V - Painted aluminium copper

Fans:

° - Standard
J - Inverter

Power supply:

° - 400V 3~ 50Hz with fuses
2 - 230V 3~ 50Hz with fuses *
4 - 230V 3~ 50Hz with thermomagnetic switches *
* (available as for: 1402,1602,1802,2002,2202)
5 - 500V 3~ 50Hz with fuses **
8 - 400V 3~ 50Hz with thermomagnetic switches
9 - 500V 3~ 50Hz with thermomagnetic switches **
** (not available as for 1801, 3402, 3602)

Pumps:

00 - Without pumping assembly
PA - Pumping assembly (Pump A)
PC - Pumping assembly (Pump C)
PE - Pumping assembly (pump E)
PG - Pumping assembly (Pump G)
PJ - Pumping assembly (Pump J)

Warning:

the standard options are marked with the symbol °

Example of the commercial code: **NS1401XH°°°°00**

This is an NS unit, size 1401, valve electronic, with heat pump model, without heat recovery units, standard version with aluminium coils, standard fans, 400V 3~50Hz power supply with fuse, without pumping assembly

Technical data

NSH	U.M.	VERS.	1251	1401	1601	1801	1402	1602	1802	2002
Cooling capacity	kW	H°	245	261	297	354	242	299	343	367
		HL	236	251	281	336	228	286	328	355
		HA	263	282	310	366	258	316	366	385
		HE	251	267	293	344	243	302	350	367
Total input power	kW	H°	91	100	110	134	97	111	130	134
		HL	94	105	116	140	100	118	137	137
		HA	86	94	107	127	94	107	124	131
		HE	91	101	115	135	100	115	131	139
Water flow rate evaporator	l/h	H°	42140	44890	51080	60890	41620	51430	59000	63120
		HL	40590	43170	48330	57790	39220	49190	56420	61060
		HA	45240	48500	53320	62950	44380	54350	62950	66220
		HE	43170	45920	50400	59170	41800	51940	60200	63120
Total pressure drops evaporator	kPa	H°	34	25	39	32	33	32	40	45
		HL	32	23	35	30	30	30	37	43
		HA	38	41	27	43	36	50	43	47
		HE	35	37	24	38	33	46	39	43
Heating capacity	kW	H°/HL	275	291	336	381	272	340	380	410
		HA/HE	281	297	332	393	281	342	395	412
Total input power	kW	H°/HL	92	98	110	129	97	112	128	141
		HA/HE	87	93	103	125	92	105	122	132
Water flow rate condenser	l/h	H°/HL	47300	50050	57790	65530	46780	58480	65360	70690
		HA/HE	48330	51080	57100	67600	48330	58820	67940	70690
Total pressure drops condenser	kPa	H°/HL	45	33	53	40	44	45	52	60
		HA/HE	47	49	33	54	47	64	54	58
ENERGY INDEXES										
EER	W/W	H°	2,69	2,61	2,70	2,64	2,49	2,69	2,64	2,74
		HL	2,51	2,39	2,42	2,40	2,28	2,42	2,39	2,59
		HA	3,06	3,00	2,90	2,88	2,74	2,95	2,95	2,94
		HE	2,76	2,64	2,55	2,55	2,43	2,63	2,67	2,64
COP	W/W	H°/HL	2,99	2,97	3,05	2,95	2,80	3,04	2,97	2,91
		HA/HE	3,23	3,19	3,22	3,14	3,05	3,26	3,24	3,11
ESEER	W/W	H°	3,15	3,04	3,14	3,07	3,02	3,25	3,18	3,29
		HL	3,09	2,94	2,97	2,96	2,90	3,07	3,05	3,27
		HA	3,51	3,44	3,31	3,30	3,23	3,48	3,49	3,48
		HE	3,36	3,21	3,09	3,10	3,05	3,29	3,33	3,30
ELECTRICAL DATA										
Power supply 400V 3~ 50Hz										
Input current on COOLING MODE	A	H°	157	174	189	226	173	192	225	232
		HL	166	185	204	242	182	207	241	245
		HA	149	164	185	215	168	186	216	227
		HE	161	178	202	234	181	202	233	246
Input current on HEATING MODE	A	H°/HL	159	171	189	218	173	193	223	242
		HA/HE	150	163	180	212	165	182	213	229
Maximun current (FLA)	A	H°/HL	209	242	258	316	276	276	325	352
		HA/HE	209	242	258	316	276	276	325	352
Peak current (LRA)	A	H°/HL	327	387	431	472	251	251	305	313
		HA/HE	327	387	431	472	251	251	305	313

* data declared ISO 14511

NOMINAL CONDITIONS REFERENCE:

 Cooling mode		Heating mode	
Inlet water temperature	12	Inlet water temperature	40
Outlet water temperature	7	Outlet water temperature	45
External air temperature	35	External air temperature	7
DT	5	DT	5

Technical data

NSH	U.M.	VERS.	1251	1401	1601	1801	1402	1602	1802	2002
COMPRESSOR										
BI-SCREW										
N° compressors/circuits		n°/n°	1/1	1/1	1/1	1/1	2/2	2/2	2/2	2/2
FAN										
(STANDARD)										
Air flow rate	m³/h	H°	128400	128400	120000	171200	128400	120000	171200	214000
		HL	82320	117600	78540	109200	82320	78540	107240	137200
		HA	117600	117600	112200	156000	117600	112200	153200	196000
		HE	82320	117600	78540	109200	82320	78540	107240	137200
Total input power	kW	H°	10,5	10,5	10,5	14	10,5	10,5	14	17,5
		HL	7,2	7,2	7,2	9,6	7,2	7,2	9,6	12
		HA	10,5	10,5	10,5	14,0	10,5	10,5	14,0	17,5
		HE	7,2	7,2	7,2	9,6	7,2	7,2	9,6	12
Total input current	A	H°	22,2	22,2	22,2	29,6	22,2	22,2	29,6	37,0
		HL	22,2	22,2	22,2	29,6	22,2	22,2	29,6	37,0
		HA	22,2	22,2	22,2	29,6	22,2	22,2	29,6	37,0
		HE	22,2	22,2	22,2	29,6	22,2	22,2	29,6	37,0
Quantity	n°	H°	6	6	6	8	6	6	8	10
		HL	6	6	6	8	6	6	8	10
		HA	6	6	6	8	6	6	8	10
		HE	6	6	6	8	6	6	8	10
TUBE & SHELL HEAT EXCHANGER										
Water contents	dm3	H°/HL	103,8	101,2	98,0	138,2	103,8	101,2	143,4	143,4
Water connections	Ø	H°/HL	6"							
Quantity	n°	H°/HL	1							
TUBE & SHELL HEAT EXCHANGER										
Water contents	dm3	HA/HE	96,0	101,2	98,1	132,9	96,0	101,2	132,9	132,9
Water connections	Ø	HA/HE	6"							
Quantity	n°	HA/HE	1							
EXPANSION VESSEL										
Capacity	dm3	25								
Quantity	n°	2								
SOUND DATA										
Sound power(1)	dB(A)	H°	93,5	93,5	94,5	96	94	95	96	96,5
Sound power(1) (cooling mode)	dB(A)	HL	88,5	88,5	89,5	91	89	90	91	91,5
Sound power(1)	dB(A)	HA	93,5	93,5	94,5	96	94	95	96	96,5
Sound power(1) (cooling mode)	dB(A)	HE	88,5	88,5	89,5	91	89	90	91	91,5
Sound pressure(2)	dB(A)	H°/HA	61,5	61,5	62,5	63,5	62	63	63,5	64
Sound pressure(2)	dB(A)	HL/HE	56,5	56,5	57,5	58,5	57	58	58,5	59

* data declared ISO 14511

(1) Aermec determines the value of sound power on the basis of measurements made in accordance with the legislation 9614-2, in relation to the requirements of the Eurovent certification.

(2) Sound pressure measured in free field, **in cooling mode**,

over reflecting plane (direction factor Q = 2), to 10 meters away from the outer surface of the unit, In accordance with the ISO 3744.

Technical data

NSH	U.M	VERS.	2202	2352	2502	2652	2802	3002	3202	3402	3602
Cooling capacity	kW	H°	395	433	467	491	519	558	594	651	708
		HL	381	415	446	469	492	532	562	617	672
		HA	415	455	500	525	548	592	620	676	732
		HE	395	436	488	507	518	560	586	637	688
Total input power	kW	H°	144	166	182	193	197	210	220	244	268
		HL	147	170	184	199	211	221	234	255	276
		HA	137	157	172	184	194	201	214	234	254
		HE	145	168	191	201	209	216	230	250	270
Water flow rate evaporator	l/h	H°	67940	74480	80320	84450	89270	95970	102160	111970	121780
		HL	65530	71380	76710	80670	84620	91500	96660	106120	115580
		HA	71380	78260	86000	91330	94260	101820	106640	116270	125900
		HE	67940	74990	83940	87200	89100	96320	100800	109570	118340
Total pressure drops evaporators	kPa	H°	40	36	41	23	25	32	39	35	32
		HL	37	34	38	21	22	29	35	32	30
		HA	53	37	38	41	43	34	27	35	43
		HE	48	34	35	37	39	30	24	31	38
Heating capacity	kW	H°/HL	435	479	523	556	588	627	672	717	762
		HA/HE	450	502	541	563	585	629	664	725	786
Total input power	kW	H°/HL	145	164	175	185	194	208	220	239	258
		HA/HE	139	156	169	175	183	196	206	228	250
Water flow rate condenser	l/h	H°/HL	74820	82390	89960	95630	101140	107840	115580	123320	131060
		HA/HE	77400	86340	93050	96840	100620	108180	114200	124700	135200
Total pressure drops	kPa	H°/HL	51	47	50	31	35	43	53	47	40
		HA/HE	67	49	47	49	53	41	33	43	54
ENERGY INDEX											
EER	W/W	H°	2,74	2,61	2,57	2,54	2,63	2,66	2,70	2,67	2,64
		HL	2,57	2,39	2,32	2,30	2,34	2,41	2,42	2,41	2,40
		HA	3,03	2,90	2,91	2,89	2,82	2,95	2,90	2,89	2,88
		HE	2,72	2,60	2,55	2,52	2,48	2,59	2,55	2,55	2,55
COP	W/W	H°/HL	3,00	2,92	2,99	3,01	3,03	3,01	3,05	3,00	2,95
		HA/HE	3,24	3,22	3,20	3,22	3,20	3,21	3,22	3,18	3,14
ESEER	W/W	H°	3,30	3,12	3,07	3,05	3,17	3,09	3,14	3,10	3,07
		HL	3,26	3,04	2,95	2,92	2,98	2,97	2,98	2,96	2,96
		HA	3,56	3,41	3,44	3,41	3,33	3,37	3,31	3,31	3,30
		HE	3,40	3,25	3,18	3,15	3,11	3,15	3,09	3,08	3,09
ELECTRICAL DATA											
Power supply 400V 3~ 50Hz											
Total input current on COOLING MODE	A	H°	245	283	310	330	340	363	378	415	453
		HL	259	302	333	354	368	389	407	445	484
		HA	233	268	295	318	335	349	370	400	430
		HE	254	293	333	349	365	380	403	436	468
Total input current on HEATING MODE	A	H°/HL	246	279	301	319	335	360	378	407	436
		HA/HE	236	267	292	303	318	342	359	391	423
Input current (FLA)	A	H°/HL	370	390	410	443	476	500	516	574	631
		HA/HE	370	390	410	443	476	500	516	574	631
Peak current (LRA)	A	H°/HL	350	365	436	461	521	534	578	612	653
		HA/HE	350	365	436	461	521	534	578	612	653

* data declared ISO 14511

NOMINAL CONDITIONS REFERENCE:		Heating mode	
 Cooling mode		 Inlet water temperature	40
Inlet water temperature	12	Outlet water temperature	45
Outlet water temperature	7	External air temperature	7
External air temperature	35	DT	5
DT	5		

Technical data

NSH	U.M	VERS.	2202	2352	2502	2652	2802	3002	3202	3402	3602
COMPRESSOR						BI-SCREW					
N° compressors/circuits						2/2					
FANS						STANDARD					
Air flow rate	m³/h	H°	214000	214000	214000	207000	200000	248400	240000	291200	342400
		HL	149800	149800	149800	144900	140000	173880	168000	203840	239680
		HA	196000	196000	196000	191500	187000	229800	224400	268200	312000
		HE	137200	137200	137200	134050	130900	196140	157080	187740	218400
Total input power	kW	H°	17,5	17,5	17,5	17,5	17,5	21	21	24,5	28
		HL	12	12	12	12	12	14,4	14,4	16,8	19,2
		HA	17,5	17,5	17,5	17,5	17,5	21,0	21,0	24,5	28,0
		HE	12	12	12	12	12	14,4	14,4	16,8	19,2
Total input current	A	H°	37,0	37,0	37,0	37,0	37,0	44,4	44,4	51,8	59,2
		HL	37,0	37,0	37,0	37,0	37,0	44,4	44,4	51,8	59,2
		HA	37,0	37,0	37,0	37,0	37,0	44,4	44,4	51,8	59,2
		HE	37,0	37,0	37,0	37,0	37,0	44,4	44,4	51,8	59,2
Quantity	n°	H°	10	10	10	10	10	12	12	14	16
		HL	10	10	10	10	10	12	12	14	16
		HA	10	10	10	10	10	12	12	14	16
		HE	10	10	10	10	10	12	12	14	16
TUBE & SHELL HEAT EXCHANGER											
Water contents	dm3	H°/HL	138,2	132,9	159,8	159,8	159,8	199,2	196,0	236,2	276,4
Water connections	Ø	H°/HL	6"								
Quantity	n°	H°/HL	1	1	1	1	1	2	2	2	2
TUBE & SHELL HEAT EXCHANGER											
Water contents	dm3	HA/HE	159,8	159,8	149,9	220,7	220,7	199,3	196,2	231,0	265,8
Water connections	Ø	HA/HE	6"								
Quantity	n°	HA/HE	1	1	1	1	1	2	2	2	2
EXPANSION VESSEL											
Capacity	dm3	All	25								
Quantity	n°	All	2	2	2	2	2	4	4	4	4
SOUND DATA											
Sound power(1)	dB(A)	H°	96,5	96,5	97	97	97	97,0	97,5	98,5	99
Sound power(1) (cooling mode)	dB(A)	HL	91,5	91,5	92	92	92	92,0	92,5	93,5	94
Sound power(1)	dB(A)	HA	96,5	96,5	97	97	97	97,0	97,5	98,5	99
Sound power(1) (cooling mode)	dB(A)	HE	91,5	91,5	92	92	92	92,0	92,5	93,5	94
Sound pressure(2)	dB(A)	H°/HA	64	64	64,5	64,5	64,5	64,5	65	65,5	66
Sound pressure(2)	dB(A)	HL/HE	59	59	59,5	59,5	59,5	59,5	60	60,5	61

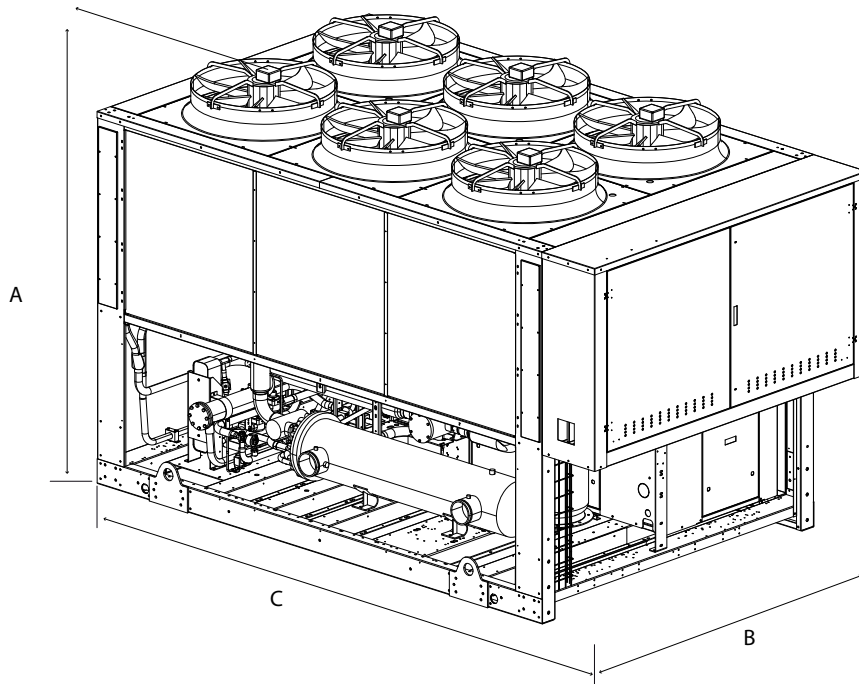
* data declared ISO 14511

(1) Aermec determines the value of sound power on the basis of measurements made in accordance with the legislation 9614-2, in relation to the requirements of the Eurovent certification.

(2) Sound pressure measured in free field, **in cooling mode**,

over reflecting plane (direction factor Q = 2), to 10 meters away from the outer surface of the unit, In accordance with the ISO 3744.

Dimensions (mm)



DIMENSIONS NSH		Vers.	1251	1401	1601	1801	1402	1602	1802	2002
High	mm	All	2450	2450	2450	2450	2450	2450	2450	2450
Width	mm	All	2200	2200	2200	2200	2200	2200	2200	2200
Depth	mm	All	3780	3780	3780	4770	3780	3780	4770	5750
Weight when empty	Kg	H°/HL	3150	3165	3340	4005	3475	3800	3930	4290
Weight during operation	Kg	H°/HL	3255	3265	3440	4145	3580	3900	4075	4435
Weight when empty	Kg	HA/HE	3245	3280	3435	4115	3570	3835	4005	4385
Weight during operation	Kg	HA/HE	3340	3380	3535	4250	3665	3935	4140	4520

DIMENSIONS NSH		Vers.	2202	2352	2502	2652	2802	3002	3202	3402	3602
High	mm	All	2450	2450	2450	2450	2450	2450	2450	2450	2450
Width	mm	All	2200	2200	2200	2200	2200	2200	2200	2200	2200
Depth	mm	All	5750	5750	5750	5750	5750	7160	7160	8150	9140
Weight when empty	Kg	H°/HL	4355	4735	5090	5210	5330	6330	6555	7220	7885
Weight during operation	Kg	H°/HL	4495	4870	5250	5370	5490	6530	6750	7455	8160
Weight when empty	Kg	HA/HE	4570	4940	5265	5470	5610	6540	6745	7425	8105
Weight during operation	Kg	HA/HE	4730	5100	5415	5690	5830	6740	6940	7655	8370

The technical data in this document is not binding. Aermec S.p.A. shall have the right to introduce at any time whatever modifications deemed necessary for the improvement of the product.

Aermec S.p.A.
Via Roma, 996 - 37040 Bevilacqua (VR) - Italy
Telephone 0442633111 - Telefax 044293730
www.aermec.com