



Aermec adheres to the EUROVENT Certification Programme. The products concerned appear in the EUROVENT Certified Products Guide.



### Features

- **Fan sections, exchange coils, filters and external air intakes:**
  - plug fans for all sizes, in stainless steel or treated material, equipped with guides and supports reduced to a minimum;
  - coils and heat recovery units in Cu/Cu, waterproof Cu/Cu, stainless steel/Cu or stainless steel/stainless steel;
  - class F7 filters positioned upstream and on the pick-up points of the unit, class F8/F9 downstream (possibility to equip the unit with filters with a germicidal capacity);
  - external air intakes scaled for speeds of less than 2m/s, and equipped with suitable protective means.
- **Humidification, silencers, drop eliminators:**
  - steam humidification, either direct or with a producer operating with immersed electrodes;
- suitable distances are maintained between the humidification and the subsequent component;
- drop eliminators subjected to antibacterial treatment or made of stainless steel.
- **Performance and safety characteristics:**
  - the unit performance levels are certified according to the Eurovent programme;
  - the unit is supplied complete with all the electrical and electronic components for correct operation, and therefore carries the EC mark showing that it satisfies the safety requisites of the relevant directives.
- **Inspection and cleaning:**
  - access openings, drainage panels and adequate lighting in every section;
  - curved inner corners to avoid the accumulation of dirt;
- edges and slits have been avoided and all permanent joints are sealed;
- the drainage outlets are fitted with easy-to-inspect drain-taps.
- **Panelling and inner surface:**
  - the precise frame-panelling coupling allows you to reach casing air seepage values that fall within class B of Standard UNI EN 1886, with the certification of the TÜV laboratories;
  - the materials used offer a good resistance to cracking, splintering, flaking and abrasion, they can be washed and disinfected, and they do not favour the proliferation of biological agents or agents that encourage bioburden reduction (antibacterial treatment with certified bioburden reduction).

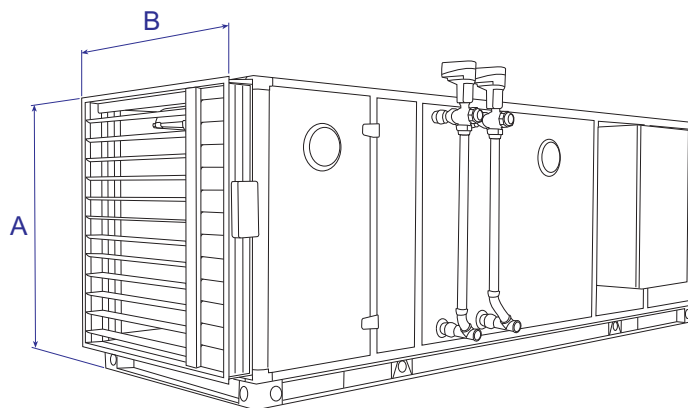
## Technical data

	Air flow rate m <sup>3</sup> /h	Coil section m <sup>2</sup>
NCT H 2	1800	0.202
NCT H 3	2520	0.278
NCT H 4	3130	0.348
NCT H 5	3820	0.425
NCT H 6	4500	0.502
NCT H 7	5080	0.566
NCT H 8	6230	0.690
NCT H 9	7340	0.815

	Air flow rate m <sup>3</sup> /h	Coil section m <sup>2</sup>
NCT H 10	9470	1.053
NCT H 11	10730	1.191
NCT H 12	13860	1.539
NCT H 13	17500	1.944
NCT H 14	21300	2.369
NCT H 15	25780	2.862
NCT H 16	30780	3.419

The performance levels refer to an air speed through the coils equal to 2.5 m/s.

## Dimensions (mm)



	Section A	Section B
NCT H 2	805	735
NCT H 3	805	895
NCT H 4	805	1055
NCT H 5	805	1215
NCT H 6	805	1375
NCT H 7	1125	1055
NCT H 8	1125	1215
NCT H 9	1125	1375

	Section A	Section B
NCT H 10	1125	1695
NCT H 11	1445	1375
NCT H 12	1445	1695
NCT H 13	1765	1695
NCT H 14	1765	2015
NCT H 15	2085	2015
NCT H 16	2085	2335