

MEC-W

Water-cooled packaged air conditioners
With radial fans and capacities from 11 up to 55 kW

R407C



Features

- Available in 5 different sizes
- All versions are supplied for use with R407C
- Metallic protective cabinet with rustproof polyester paint
- Double suction radial fans
- Electric motors with belt transmission
- Four row evaporator coil with copper tubes and aluminium fins
- Washable air filter
- Room thermostat with one or two contacts depending on the model
- Hermetic compressors
- Plate-type condenser
- Water flow control valve driven directly in relation to condensing pressure

Accessories

- **BAS:** Hot water coil with three rows of aluminium finned copper tubes.
- **PL:** Air distribution plenum comprising delivery grille with two rows of adjustable slats and internal lining of sound insulating material.

Mod.	Compatibility of accessories				
	307 W	507 W	757 W	1007 W	1507 W
BAS 30	✓				
BAS 50		✓			
BAS 75			✓		
BAS 100				✓	
BAS 150					✓
BAS 200					
BAS 300					
PL 22	✓				
PL 23		✓			
PL 26			✓		
PL 37				✓	
PL 38					✓
PL 39					✓
PL 300					✓

Technical data

Mod. MEC		307 W	507 W	757 W	1007 W	1507 W
Cooling capacity	kW	11	18	29	35	55
Input power	kW	3.05	4.45	7.3	8.5	13.7
Water flow rate at 30 °C	l/h	2350	3740	5900	7270	11270
Pressure drops	kPa	38	65	56	65	53
Water consumption at 16 °C*	l/h	620	990	1550	1910	2970
Pressure drops*	kPa	3.5	6.7	5	5.3	5
Heating capacity (accessory BAS)	kW	25.28	46.61	58.01	78.59	113.68
Pressure drops (accessory BAS)	kPa	3.47	4.01	3.97	4.59	5.77
Coil rows	n.	4	4	4	4	4
Nominal air flow rate	m ³ /h	2040	3400	5100	6800	10200
♪ Sound pressure	dB (A)	63	65.5	72.5	69.5	73.5
Motor power	kW	0.375	0.75	1.125	1.5	1.125
Speed	rpm (min.)	840	840	840	620	840
	rpm (max.)	1120	1120	1120	810	1120
Motor pulley diameter	mm (min.)	79	79	79	79	79
	mm (max.)	104	104	104	104	104
Fan pulley diameter	mm	130	130	130	180	130
Air flow rate	m ³ /h (min.)	1600	2750	4100	5500	8200
	m ³ /h (max.)	2400	4100	6000	8200	12000
Input current	A (230 V)	12.2	15.4	24.2	30.8	46.6
	A (400 V)	6	8.9	13.9	17.8	26.9
Peak current	A (230 V)	98	142	168	157	190
	A (400 V)	48	68	101	77	115

Power supply: 3~ 230V 50Hz; 3N~ 400V 50Hz.

Performance values refer to the following conditions:

♪ Sound pressure measured in an 85 m³ semi-reverberant test chamber with reverberation time Tr = 0.5s.

■ Cooling:

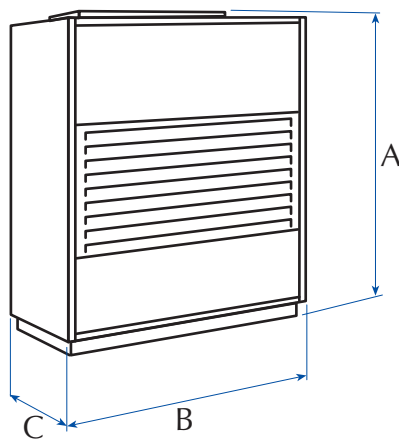
- room air temperature 27 °C D.B., 19 °C W.B.;
- condensing temperature 40 °C;

* condensing temperature 35 °C.

Heating:

- water inlet temperature 85 °C;
- air intake temperature 15 °C.

Dimensions (mm)



Mod.		307 W	507 W	757 W	1007 W	1507 W
Height	A	1290	1410	1680	1700	1745
Width	B	900	1040	1220	1450	1880
Depth	C	494	558	648	723	753
Weight	kg	147	184	273	335	484