

## ANZ

Air-cooled heat pumps units  
With axial fans and capacities from 6.2up to 41.6 kW

### R407C



Aermec adheres to the EUROVENT Certification Programme. The products concerned appear in the EUROVENT Certified Products Guide.



- **PURPOSE DESIGNED HEAT PUMP**
- **HIGH EFFICIENCY COMPRESSOR**
- **HEATING MODE OPERATION WITH EXTERNAL TEMPERATURE DOWN TO  $-15^{\circ}\text{C}$**
- **VERSION AVAILABLE: WITH BUFFER TANK, PUMP AND INTEGRATED ELECTRIC HEATER**

### Features

- Available in 10 different sizes
- Heat pump versions
- 4 versions are available:
  - ANZ: Standard version
  - ANZ A: Version equipped with water pump, expansion vessel, mechanical water filter, storage tank
  - ANZ K: Version equipped with water pump, expansion vessel, mechanical water filter, storage tank with electric heater and basic control
  - ANZ J: Version equipped with water pump, expansion vessel, mechanical water filter, storage tank with electric heater and advanced control
- High efficiency scroll compressors with low power consumption
- Differential pressure switch or fluxostat, standard supplied
- Evaporator electric heating element
- Antifreeze electric heater for the storage tank.
- Electronic control card with compressor starting delay and defrosting cycle control
- High efficiency heat exchangers
- Axial flow fan units for extremely quiet operation
- Metallic protective cabinet with rustproof polyester paint

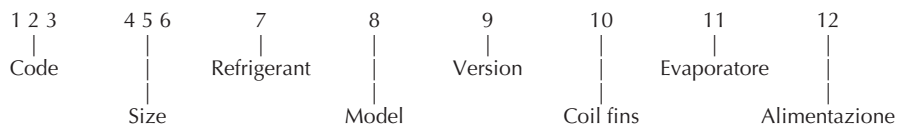
### Accessories

- **BDX:** Condensate drip tray for outdoor unit.
- **DCPX:** Low temperature device for correct cooling mode operation with ambient temperatures from less than  $19^{\circ}\text{C}$  down to  $-10^{\circ}\text{C}$ .
- **DRE:** Current soft starter device (about 30% reduction for single-circuit-units, 26% for two-circuit-units, 22% for three-circuit-units) Only available for 400V-3-phase power supply. **It must be factory set**
- **PR3:** Simplified remote control panel. All main functions of the unit, alarms included, are possible. It can be used with a shielded cable at a distance of 30 m.
- **PRD1:** 'Intelligent' remote control panel with the same functions as the on-board panel. It can be used with a shielded cable at a distance of 150 m.
- **SDP:** Electronic card for using PR1 accessory up to a distance of 150 m.
- **B4KW:** Electric heater kit, available both in three-phase and single-phase voltage (this accessory is available for 0207-0257 surges-Kor J version- only)
- **B5KW:** Electric heater kit, available both in three-phase and single-phase voltage (this accessory is available for 0207-0257 surges-Kor J version- only)
- **VT:** Anti-vibration mounts.

## Selection

By combining the various options, each model can be configured exactly to match even the most specific system requirements.

### Configuration rules:



#### Code:

ANZ

#### Size:

020, 025, 030, 041, 050, 080, 090, 100, 150, 200

#### Refrigerant:

7 - R407C

#### Model:

H - Heat pump

#### Version:

- ° - Standard
- A - With pump and storage tank
- K - With pump and storage tank + with electric heater and basic control
- J - With pump and storage tank + with electric heater and advanced control

#### Coil fins:

- ° - Aluminium
- R - Copper
- S - Tinned copper
- V - Painted / copper aluminium version

#### Evaporator:

- ° - Standard

#### Power supply:

- ° - 3N~ 400V 50Hz
- M - 1~ 230V 50Hz

#### Warning:

- standard options are shown by symbol °;
- Single-phase power supply (field 12: option M) is possible for 020 - 025 - 030 - 041 size only.

#### Commercial code example: ANZ1007HAR

This is a new ANZ unit, size 100, charged with R407C, equipped with heat pump, storage tank and water pump, copper condensing coil, evaporator, suitable for compressor with 3~ 400V 50Hz motor.

Note that as each option is precisely identified, it is not necessary to specify standard options (shown with °) in the commercial code.

Compatibility of accessories										
All versions	0207	0257	0307	0417	0507	0807	0907	1007	1507	2007
DCPX 39	✓	✓	✓	✓	✓	✓	✓			
DCPX 40								✓	✓	✓
DRE 5 (1)					✓	✓	✓			
DRE 10 (1)								✓		
DRE 15 (1)									✓	✓
Standard version	0207	0257	0307	0417	0507	0807	0907	1007	1507	2007
BDX 5	✓	✓	✓	✓	✓	✓				
BDX 6							✓			
PR3	✓	✓	✓	✓	✓	✓	✓	✓	✓	✓
PRD1	✓	✓	✓	✓	✓	✓	✓	✓	✓	✓
SDP	✓	✓	✓	✓	✓	✓	✓	✓	✓	✓
VT 7	✓	✓	✓	✓	✓	✓	✓			
VT 8								✓	✓	
A standard	0207	0257	0307	0417	0507	0807	0907	1007	1507	2007
BDX 5	✓	✓	✓	✓						
BDX 6					✓	✓	✓			
BDX 7 (only for K and J versions)					✓	✓	✓			
PR3	✓	✓	✓	✓	✓	✓	✓	✓	✓	✓
PRD	✓	✓	✓	✓	✓	✓	✓	✓	✓	✓
SDP	✓	✓	✓	✓	✓	✓	✓	✓	✓	✓
VT 7	✓	✓	✓	✓	✓	✓	✓			
VT 8				✓	✓	✓	✓			
VT 9								✓	✓	✓
B4KW230 (only for K and J versions)	✓	✓								
B4KW400 (only for K and J versions)	✓	✓								
B5KW230 (only for K and J versions)			✓	✓						
B5KW400 (only for K and J versions)			✓	✓						

(1) = Accessory available for the three-phase versions only

## Technical data

Mod. ANZ	Version	0207	0257	0307	0417	0507	0807	0907	1007	1507	2007
Cooling capacity (kW)	All	6,2	6,7	8,7	10,6	14,3	16,5	20,9	29,4	34,3	41,6
Total input power (kW)	Standard	2,5	2,6	3,3	3,6	4,6	5,3	6,8	9,4	11,6	13,9
	A	2,6	2,7	3,5	3,8	4,9	5,6	7,1	10,0	12,2	14,6
Total input current (A) 230V <sup>(*)</sup>	Standard	13,1	12,4	17,5	17,2	n.d.	n.d.	n.d.	n.d.	n.d.	n.d.
	A	13,9	12,9	18,4	19,3	n.d.	n.d.	n.d.	n.d.	n.d.	n.d.
Total input current (A) 400V	Standard	4,3	4,8	5,9	5,9	9,1	10,2	13,6	19,4	21,3	27,4
	A	5,6	6,1	7,6	8,3	10,4	11,3	15,1	21,1	23,3	28,8
Water flow rate (l/h)	All	1070	1150	1500	1820	2460	2840	3590	5060	5900	7160
Pressure drop (kPa)	Standard	5,0	4,5	31,5	28	40	24	30	30	28	35
Effective pressure (kPa)	A	70	66	66	60	61	58	50	68	68	69
Heating capacity (kW)	All	8,1	8,5	10,3	12,1	16,1	17,3	22,6	33,8	38,0	47,3
Total input power (kW)	Standard	2,4	2,5	3,1	3,6	4,6	4,9	6,8	9,3	11,0	13,8
	A	2,6	2,7	3,3	3,8	4,9	5,2	7,1	9,9	11,7	14,5
Total input current (A) 230V <sup>(*)</sup>	Standard	12,5	11,7	15,8	16,4	n.d.	n.d.	n.d.	n.d.	n.d.	n.d.
	A	13,3	12,2	16,7	18,5	n.d.	n.d.	n.d.	n.d.	n.d.	n.d.
Total input current (A) 400V	Standard	4,4	4,5	5,6	5,7	9,3	10,2	13,5	18,4	20,3	27,1
	A	5,7	5,8	7,3	8,1	10,6	11,3	15,0	20,1	22,3	28,5
Water flow rate (l/h)	All	1390	1460	1770	2080	2770	2980	3890	5810	6540	8140
Pressure drop (kPa)	Standard	6	7	43	31,5	44	21	36	31	47	50
Electric heater (kW)	AK	4	4	5	5	6	8	10	13	18	20
Electric heater (kW)	AJ	4	4	5	5	6	8	10	13	18	20
♪ Sound pressure - db(A)	All	30	37	37	33,5	38	38	36,5	44,5	45,5	46,5
Total air flow rate (m <sup>3</sup> /h)	All	2500	3300	3450	5300	7000	6700	6450	13450	12400	12000
Water connections (Ø femmina)	Std (IN)	1"	1"	1"	1"	1"	1"	1"	1"	1"	1"
	Std (OUT)	1"	1"	1"	1"	1"	1"	1"	1"	1"	1"
	A (IN)	1"	1"	1"	1"	1"1/4	1"1/4	1"1/4	1"1/4	1"1/4	1"1/4
	A (OUT)	1"	1"	1"	1"	1"1/4	1"1/4	1"1/4	1"1/4	1"1/4	1"1/4
Pump speed (n°)	A	3	3	3	3	3	3	3	1	1	1
Expansion tank capacity (l)	A	2	2	2	5	5	5	5	8	8	8
Storage tank capacity (l)	A	25	25	35	35	75	75	75	145	145	145

(\*) = For all models from 050up to 200 (with or without tank) power supply 1~230 50 Hz is not available  
Power supply 3~230 50 Hz is not available for any model.

Performance values refer to the following conditions:

♪ Sound pressure measured in free field conditions at distance of 10 m  
and direction factor = 2  
In accordance with ISO 3744 regulations

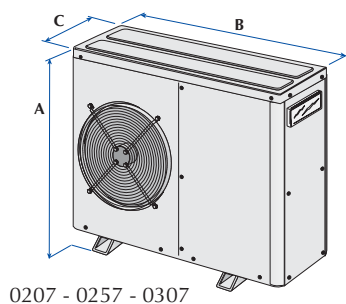
■ Cooling:

- water outlet temperature 7 °C;
- ambient air temperature 35 °C;
- Δt = 5 °C.

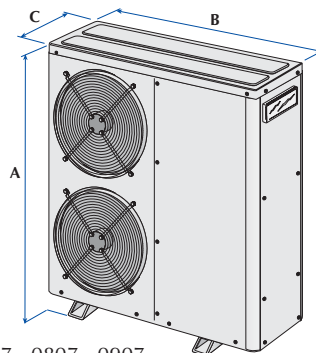
■ Heating:

- water outlet temperature 45 °C;
- ambient air temperature 7 °C B.S., 6 °C B.U.;
- Δt = 5 °C.

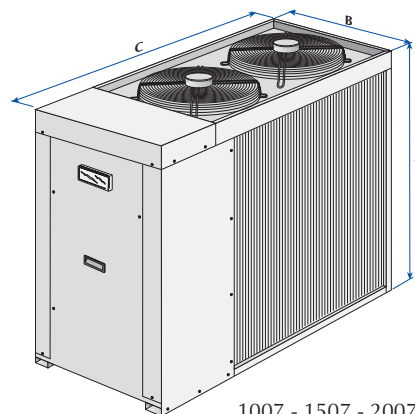
## Dimensions (mm)



0207 - 0257 - 0307



0417 - 0507 - 0807 - 0907



1007 - 1507 - 2007

<b>ANZ Standard (Std)</b>		<b>0207</b>	<b>0257</b>	<b>0307</b>	<b>0417</b>	<b>0507</b>	<b>0807</b>	<b>0907</b>	<b>1007</b>	<b>1507</b>	<b>2007</b>
Height	A	850	850	1000	1250	1250	1250	1580	1345	1345	1345
Width	B	900	900	900	1120	1120	1120	1167	750	750	750
Depth	C	352	352	352	435	435	435	555	1750	1750	1750
Weight	kg	78	81	85	128	129	137	252	314	353	394
<b>ANZ A</b>		<b>0207</b>	<b>0257</b>	<b>0307</b>	<b>0417</b>	<b>0507</b>	<b>0807</b>	<b>0907</b>	<b>1007</b>	<b>1507</b>	<b>2007</b>
Height	A	864	864	1014	1250	1280	1280	1580	1345	1345	1345
Width	B	1120	1120	1120	1120	1167	1167	1167	750	750	750
Depth	C	435	435	435	435	555	555	555	1750	1750	1750
Weight	kg	113	117	125	154	189	195	277	376	430	469
<b>ANZ K - J</b>		<b>0207</b>	<b>0257</b>	<b>0307</b>	<b>0417</b>	<b>0507</b>	<b>0807</b>	<b>0907</b>	<b>1007</b>	<b>1507</b>	<b>2007</b>
Height	A	864	864	1014	1250	1280	1280	1580	1345	1345	1345
Width	B	1120	1120	1120	1120	1277	1277	1277	750	750	750
Depth	C	435	435	435	435	555	555	555	1750	1750	1750
Weight	kg	113	117	125	154	194	200	282	378	432	471