



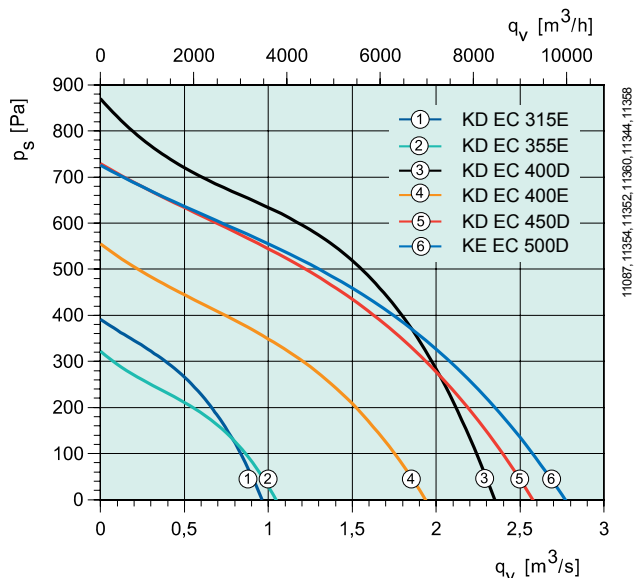
KD EC NEW!

- EC-motors, high level of efficiency
- 100% speed controllable
- Integrated motor protection
- Supplied with mounting bracket
- Potentiometer included for ease of commissioning

The KD EC series have external rotor motors (EC) with a mixed flow impeller which reduces the external dimensions of the fans. These fans have a high capacity in relation to their compact design. Brackets are supplied with the fans to make installation easier. The FK mounting clamp facilitates easy installation and removal, and prevents the transfer of vibration to the duct. The fans are delivered with a pre-wired potentiometer(0-10V) that allows you to easily find the desired working point.

Motor protection is integrated in the electronics of the motor. The casing is manufactured from galvanized sheet steel.

Quick selection



Technical data

KD EC		315E	355E	400E	400D	450D	500D
Art. no.		11549	11560	11561	11564	11562	11563
Voltage/Frequency	V/50 Hz	230 1~	230 1~	230 1~	400 3~	400 3~	400 3~
Power	W	428	355	926	1937	1872	1848
Current	A	1.98	1.69	4.08	2.99	2.91	2.83
Max. air flow	m³/s	0.963	1.05	1.93	2.35	2.57	2.77
R.p.m.	min ⁻¹	1723	1295	1452	1906	1607	1605
Max. temp. of transported air	°C	40	40	40	40	40	40
" when speed controlled	°C	60	60	60	60	60	60
Sound pressure level at 3 m	dB(A)	72	53	62	74	69	68
Weight	kg	13	14	21.6	22.8	28.6	28.2
Insulation class, motor		F	F	F	F	F	F
Enclosure class, motor		54	54	54	54	54	54
Wiring diagram p. 442-461		60	60	58	59	59	59

Electrical accessories



CO2RT
p. 368



CXE p. 369



MTV p. 359



EC-Vent
p. 365



MTP p. 359



IR24-P
p. 368



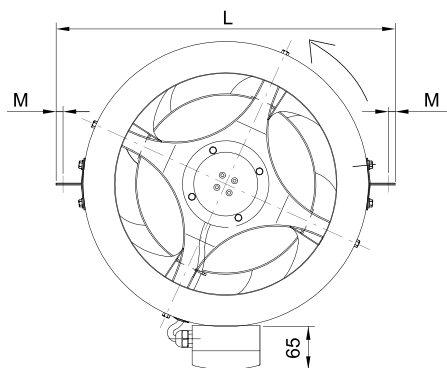
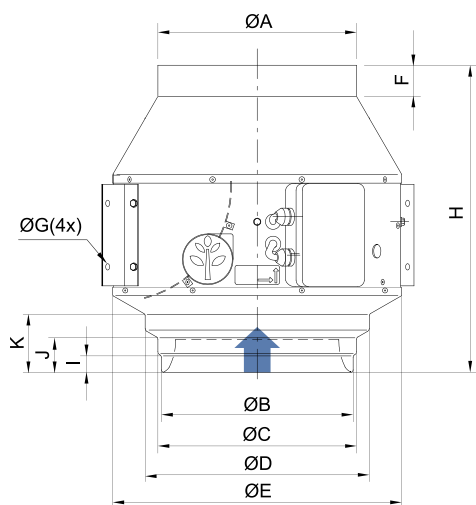
RT p. 377



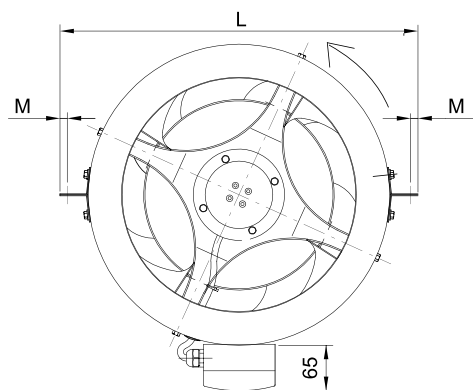
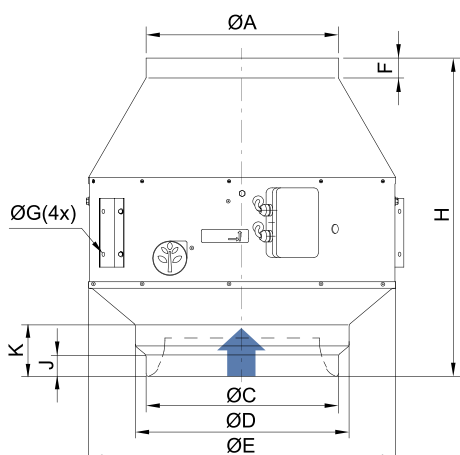
REV p. 380

Dimensions

KD EC 315E



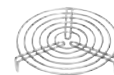
KD EC 355E/400D/400E/450D/500D



Ventilation accessories



FK p. 388



SG p. 389



VK p. 389



RSK p. 388



LDC p. 390



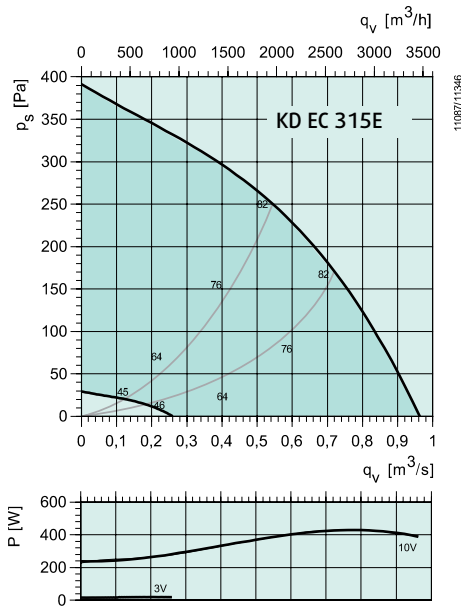
FFR p. 391



CB p. 393

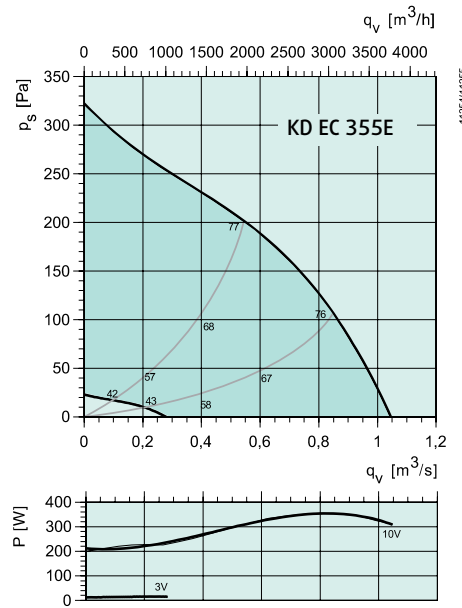
KD EC	øA	øB	øC	øD	øE	F	øG	H	I	J	K	L	M
315E	315	302	315	355	455	49	10	484	25	53.5	89	534	9
355E	355	-	355	400	503	40	10	516	-	38	97	583	9
400	400	-	400	450	560	44	10	602	-	37	94	639	9
450D	450	-	450	500	663	46	10	686	-	50	121	742	9
500D	500	-	450	500	663	46	10	642	-	50	121	742	9

Performance



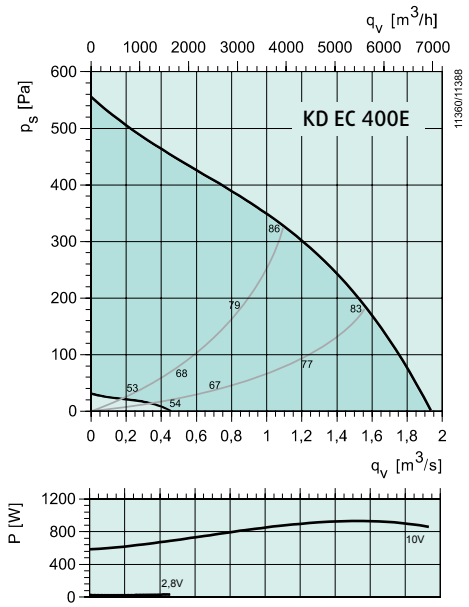
dB(A)	Tot	Frequency bands [Hz]							
		63	125	250	500	1k	2k	4k	8k
L _{WA} Inlet	82	57	75	76	76	75	68	62	55
L _{WA} Outlet	82	57	78	74	74	74	71	63	56
L _{WA} Surrounding	79	44	67	71	74	74	68	62	55

Measurement point: 0.433 m³/s @ 278 Pa



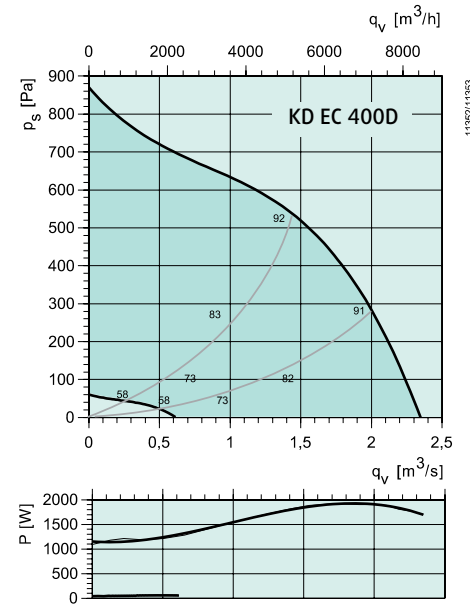
dB(A)	Tot	Frequency bands [Hz]							
		63	125	250	500	1k	2k	4k	8k
L _{WA} Inlet	77	57	74	70	69	67	62	57	50
L _{WA} Outlet	76	56	71	69	69	70	65	60	53
L _{WA} Surrounding	60	24	40	52	55	56	52	45	36

Measurement point: 0.523 m³/s @ 204 Pa



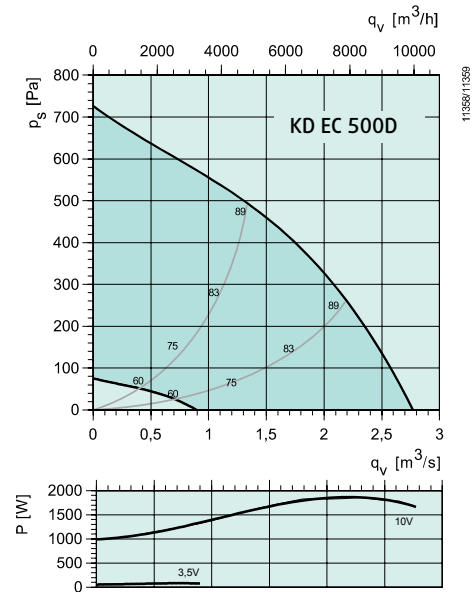
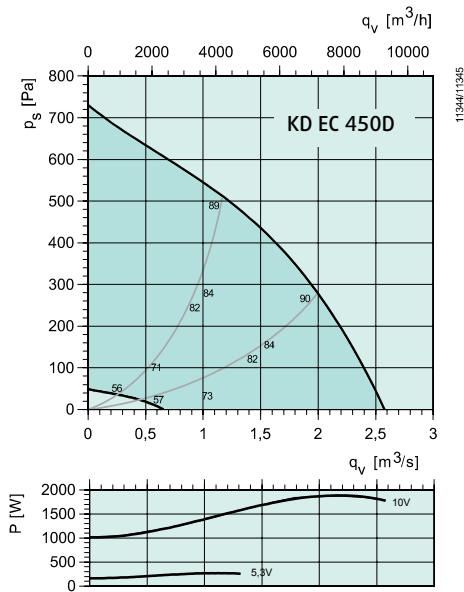
dB(A)	Tot	Frequency bands [Hz]							
		63	125	250	500	1k	2k	4k	8k
L _{WA} Inlet	86	63	79	80	80	77	73	67	59
L _{WA} Outlet	90	64	84	83	84	84	79	72	60
L _{WA} Surrounding	71	28	49	60	69	66	57	51	36

Measurement point: 1.06 m³/s @ 336 Pa



dB(A)	Tot	Frequency bands [Hz]							
		63	125	250	500	1k	2k	4k	8k
L _{WA} Inlet	92	64	82	86	87	86	81	75	67
L _{WA} Outlet	94	69	83	86	90	89	85	78	71
L _{WA} Surrounding	81	33	53	72	77	77	68	60	52

Measurement point: 1.29 m³/s @ Pa 578



dB(A)	Tot	Frequency bands [Hz]							
		63	125	250	500	1k	2k	4k	8k
L _{WA} Inlet	89	66	82	82	83	82	78	72	64
L _{WA} Outlet	91	63	81	81	87	86	81	75	68
L _{WA} Surrounding	76	31	57	70	71	72	66	56	46

Measurement point: 1.16 m³/s @ 509 Pa

dB(A)	Tot	Frequency bands [Hz]							
		63	125	250	500	1k	2k	4k	8k
L _{WA} Inlet	89	66	82	82	83	80	78	72	64
L _{WA} Outlet	92	64	83	82	88	87	81	75	69
L _{WA} Surrounding	75	33	57	68	71	70	65	53	41

Measurement point: 1.39 m³/s @ 482 Pa