

#### Before installation

- This product is designed for prevention of ice on the bottom of the outdoor unit heat exchanger and the clogged drain hole caused by freezing in severe winter.
- To drain properly, a drain socket and a concentrated drain pan are not allowed to be used with this product.

## SAFETY PRECAUTIONS

- Carefully read this section 'Safety Precautions', and securely install the optional parts.
- Be sure to observe the cautions described here: They include critical contents for safety.
- The following indications show the classifications for danger, and possible consequences following incorrect handling.

**⚠ WARNING** Incorrect handling could lead to death or serious injury.

**⚠ CAUTION** Incorrect handling could lead to injury or damage to house and household articles.

- After installation, perform a test run and make sure that there is no abnormality, and ask your customer to keep this installation sheet with the installation manual at all times.
- Also ask the customer to transfer these manuals to a new user if the user changes.

### ⚠ WARNING

#### Ask the dealer or specialist for installation.

- If installed incorrectly by user, water leak, electric shock, fire, etc. could result.

#### Use the provided parts and the specified parts for installation.

- Improper parts could cause electric shock, fire, water leak, and injury caused by fall of the unit.

#### Mount the service panel on the outdoor unit securely.

- Incomplete installation may result in electric shock and fire caused by dust, water, etc.

#### Carefully install the optional parts according to this installation sheet.

- Incorrect installation could cause water leak, electric shock, fire, etc.

#### Use the specified electric wires. Connect and fasten the electric wires securely to the terminals so external force on the wires will not apply on the terminals.

- Improper connections and fastening could cause fire.

### ⚠ CAUTION

#### Do not install the unit where flammable gas may exist or leak.

- If the flammable gas should leak and accumulate around the unit, explosion may result from it.

#### Install an earth leakage breaker.

- Failure to install an earth leakage breaker may result in electric shock.

#### Ground the unit correctly.

- Do not connect the ground wire to a gas pipe, a water pipe, a lightning rod, or a telephone ground wire. Improper grounding may cause electric shock.
- The grounding is performed with your hands touching the fins of the heat exchanger. Wear protective equipment such as gloves and the like in advance.

## 1 Accessories

This package includes the following parts besides this installation sheet.

① base heater	1	② heater guard*	1	③ screws 5×12	8	④ cable ties	2	⑤ fasteners	2
⑥ spec label	1	⑦ base heater support(1)	1	⑧ base heater support(2)	1	⑨ clamp	1		

\* Refer to 5 Mounting the heater guard

## 2 Preparation

It is easier to mount the base heater before installing the outdoor unit.

- Make sure that the main power supply to the unit is OFF.
- Do not lose the removed screws. Many screws will be removed to install the base heater.
- Eliminate dust, dirt, etc.

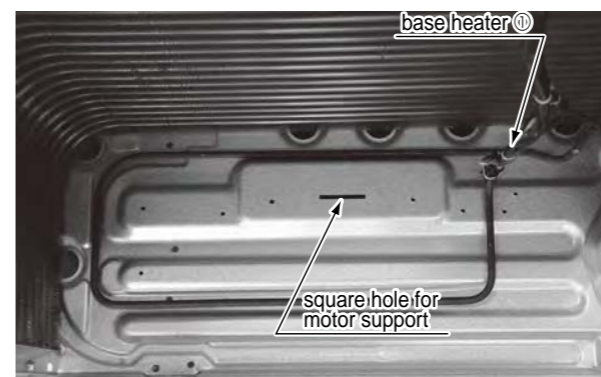
## 3 Preparation for mounting the base heater

Before mounting the base heater, follow the procedures below to remove some parts from the outdoor unit.  
NOTE: Turn OFF power supply before disassembly.

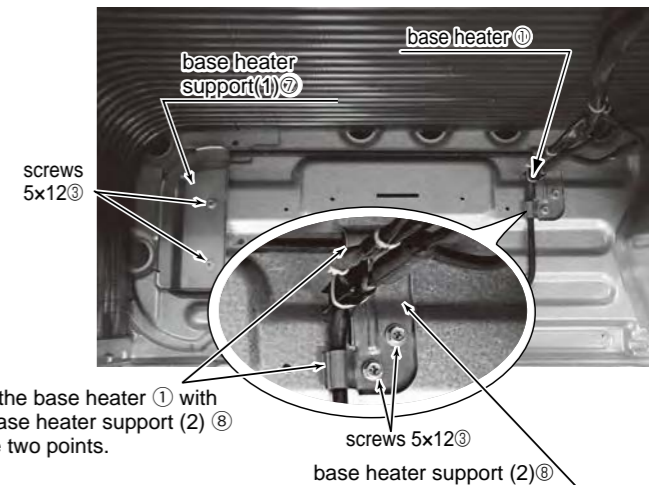
- 1 Remove the screw fixing the service panel.
- 2 Pull down the service panel and remove it.
- 3 Remove the screws fixing the top panel.
- 4 Remove the top panel.
- 5 Remove the screws fixing the front panel.
- 6 Remove the front panel.
- 7 Removal of fan.  
Remove the mounting screws for the fan. Pull the fan toward you to remove it.
- 8 Removal of motor support.  
Disconnect the connector of the fan motor, and remove mounting screw for the motor support. Slightly pull the motor support toward you and lift it up to remove it.

## 4 Mounting the base heater

- 1 Temporarily place the base heater ① along the groove of the base as shown in the photo below.



- 2 Fix the base heater ① with the base heater supports ⑦, ⑧ and the screws 5×12 ③.  
\* Be careful not to damage the lead wire and surface of the base heater with the edge of the sheet metal.

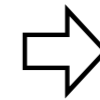
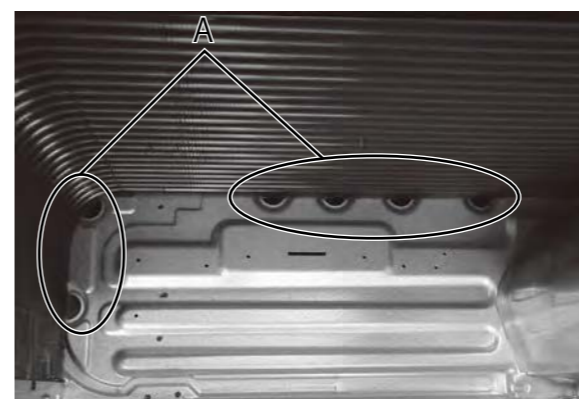


Hold the base heater ① with the base heater support (2) ⑧ at the two points.

Position the base heater ① as shown in the photo above.

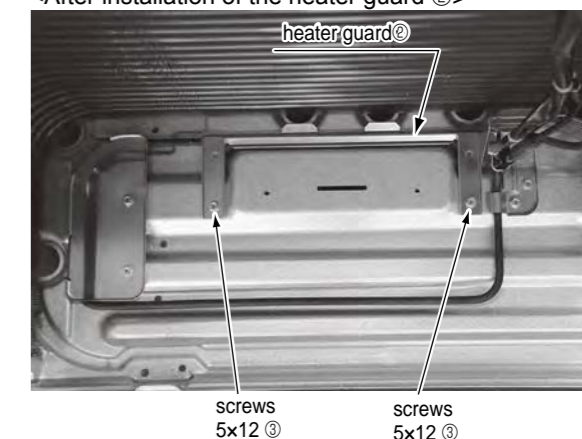
## 5 Mounting the heater guard

When you see the holes A as in the photo below, install the heater guard ②.



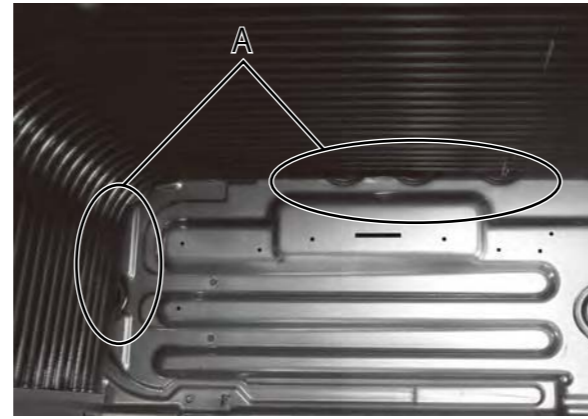
Place the heater guard ② as shown in the below photo. Fix them with the screws 5×12 ③.

<After installation of the heater guard ②>



## 5 Mounting the heater guard (Continued from previous page)

When the holes A are covered as in the right photo, do not install the heater guard ②.



## 6 Mounting the motor support

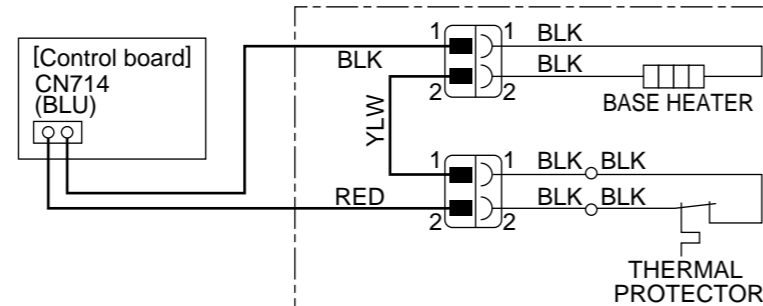
Mount the motor support.

- Make sure that the lead wire is not caught between the bottom of the motor support and the base.

## 7 Securing the lead wires

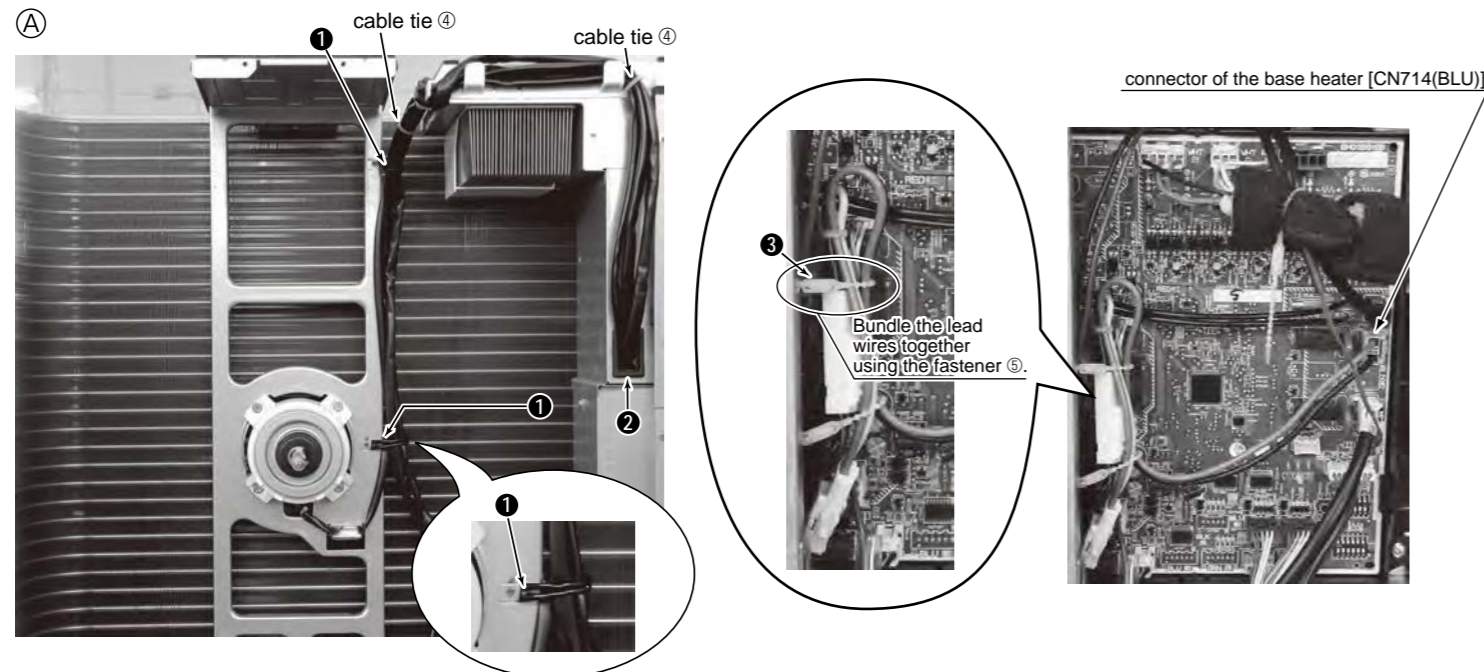
### Wiring diagram

Connect the lead wires according to the wiring diagram on the right.



< In case of UNIT size H796 × W950 × D330 > ... ①

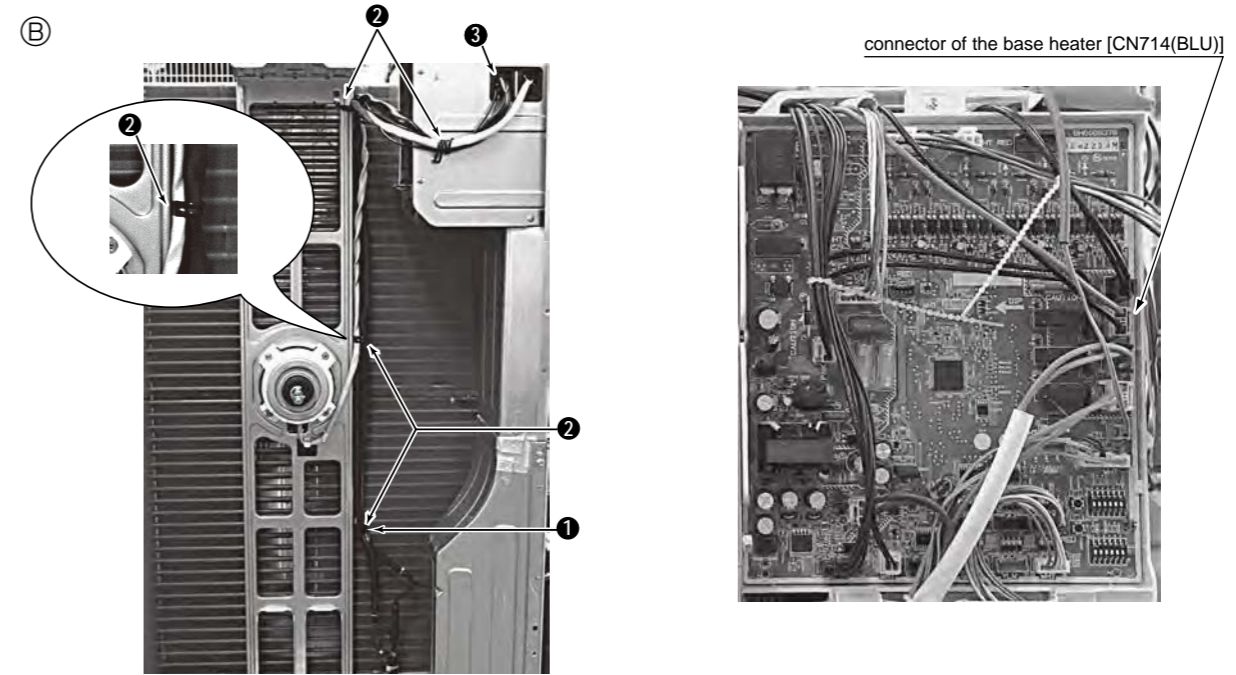
- 1 Bundle the lead wires of the base heater and the fan motor together with clamps.
  - Secure the lead wires so they will not interfere with the propeller fan.
- 2 Pass the lead wires through the rubber parts hole on the metal parts of the electrical box toward the electrical box.
  - \* Fix the lead wires between the motor support and the rubber parts hole with the cable ties ④.
- 3 After connecting the lead wires, bundle the extra lead wires together and secure them with the fastener ⑤.
  - \* Arrange the lead wires so that they do not touch the service panel.



## 7 Securing the lead wires (Continued from left page)

< In case of UNIT size H1048 × W950 × D330 > ... ②

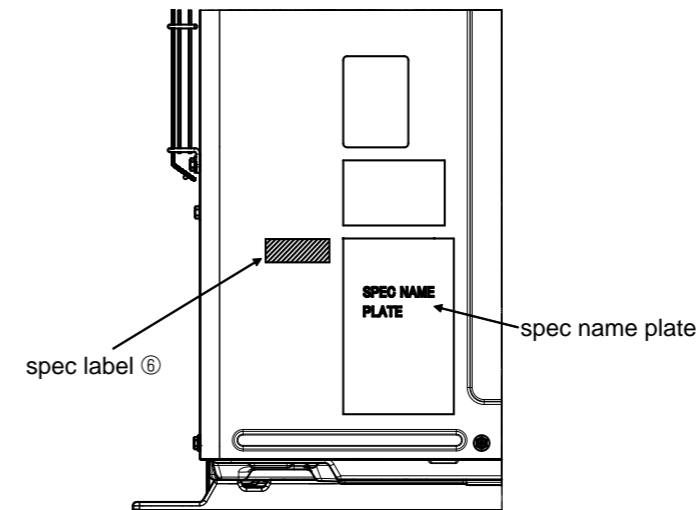
- 1 Fix the clamp ① on the right side of the motor support with screw 5×12③.
- 2 Bundle the lead wires of the base heater and the fan motor together with clamps.
  - Secure the lead wires so they will not interfere with the propeller fan.
- 3 Pass the lead wires through the rubber parts hole on the metal parts of the electrical box toward the electrical box.
  - \* Arrange the lead wires so that they do not touch the service panel.



## 8 Attaching the spec label

Attach the spec label ⑥ by the spec name plate on the service panel.

\* This is an example picture.



## 9 Reinstallation

Make sure that the installation of the base heater and connections of the lead wires have been completed according to this installation sheet. Install the removed parts in the reverse order of removal.

- Tighten the propeller fan with a torque of 5.7±0.3N·m[4.2±0.2ft·lbs](57±3kgf·cm).
- Rotate the propeller fan and make sure that the base heater and the lead wires do not interfere with the movement of propeller fan.

### ⚠ WARNING

Mount the outer panels securely. Incomplete installation may result in electric shock and fire caused by dust, water, etc.