

Specifications	
Rated Voltage	Electric Power
230 V	130 W

BEFORE INSTALLATION

The defrost heater prevents freezing of outdoor unit base. The base may freeze when the heating operation is performed for a long time in very low temperature, high humidity condition. The drain socket cannot be attached after fixing the defrost heater.

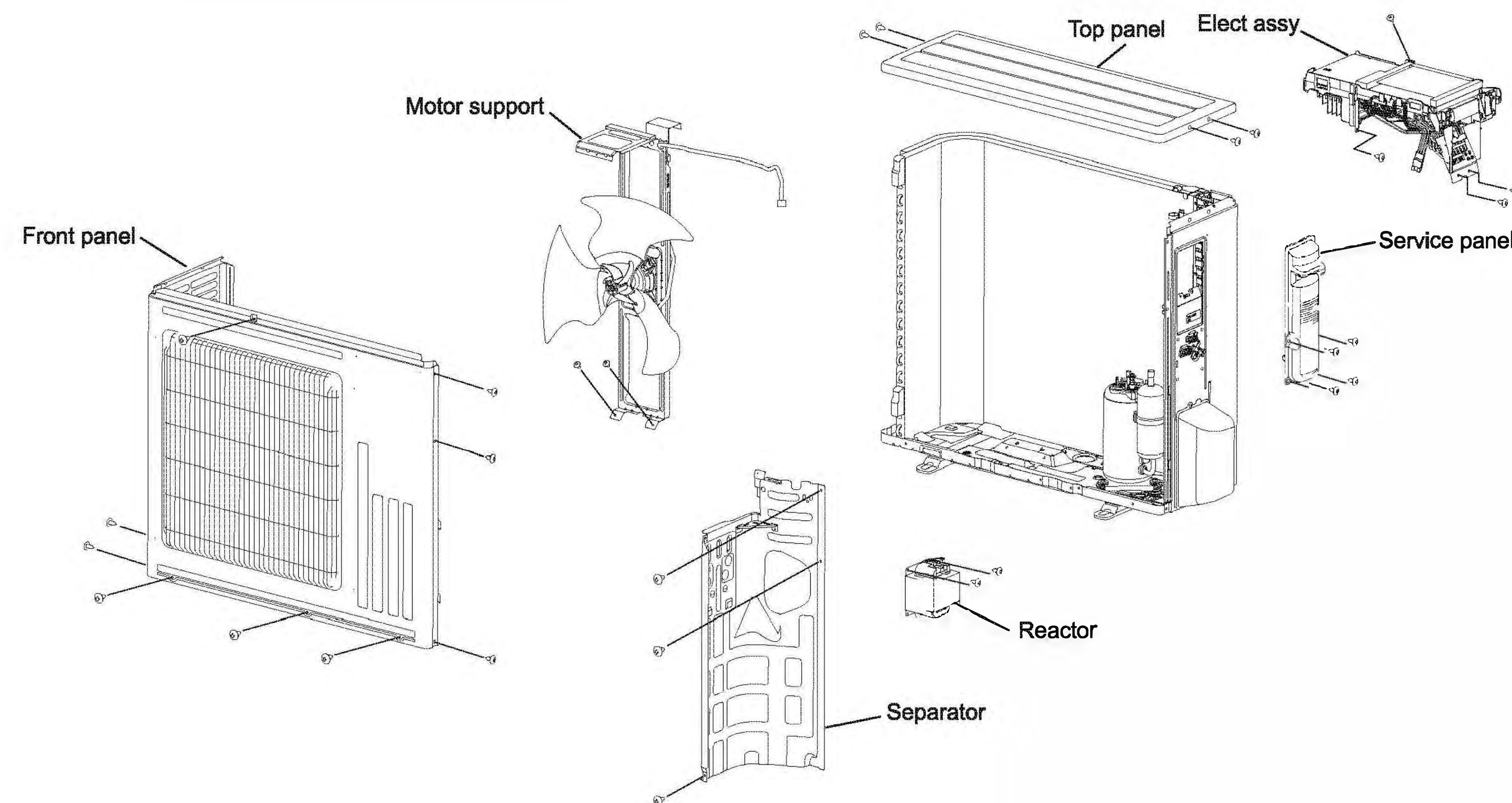
- Wear protective equipment such as gloves for your safety.
- Be careful not to cut your hands with the aluminum tape.
- Be careful not to wet electrical parts with water or snow during installation. Wet electrical parts could cause malfunction.
- Do not install the outdoor unit directly on the ground. Install the outdoor unit on a raised platform, such as on racks, to suppress freezing.

Components

① Defrost heater	1	④ Self drilling screw	2	⑦ Wiring diagram	1
② Aluminum tape	1	⑤ Cable clamp	1	⑧ Spec label	1
③ Heater support	1	⑥ Insulation	1		

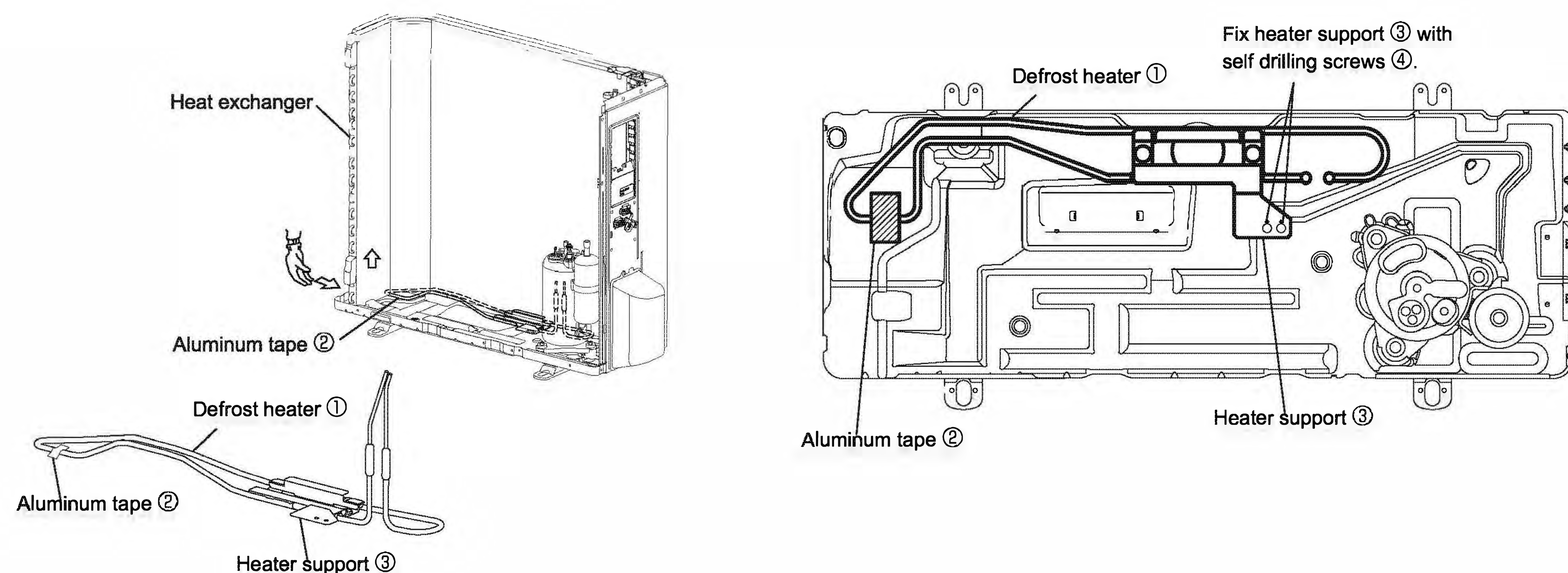
1. PREPARING FOR INSTALLATION

- (1) Make sure to switch off the power supply or turn off the breaker.
- (2) Remove the top panel, front panel, service panel, motor support, and elect Assy.
- (3) Remove the separator and the reactor.



2. INSTALLING THE HEATER

- (1) Hold the left lower side of the heat exchanger, and slightly lift up the heat exchanger.
- (2) Insert the defrost heater ① under the heat exchanger, and align it with the groove on the base.
After positioning the defrost heater ①, secure it to the base with the aluminum tape ②.
In order to fix the defrost heater ① to the base, fix the heater support ③ to the base with 2 self drilling screws ④.
- (3) Put the heat exchanger back in place (refer to the figure below).



THE FOLLOWING SHOULD ALWAYS BE OBSERVED FOR SAFETY

- Be sure to read these safety precautions and instructions.
- Be sure to observe the warnings and cautions specified here as they include important items related to safety.
- After reading this manual, be sure to store it for future reference.

⚠ WARNING (Could lead to death, serious injury, etc.)

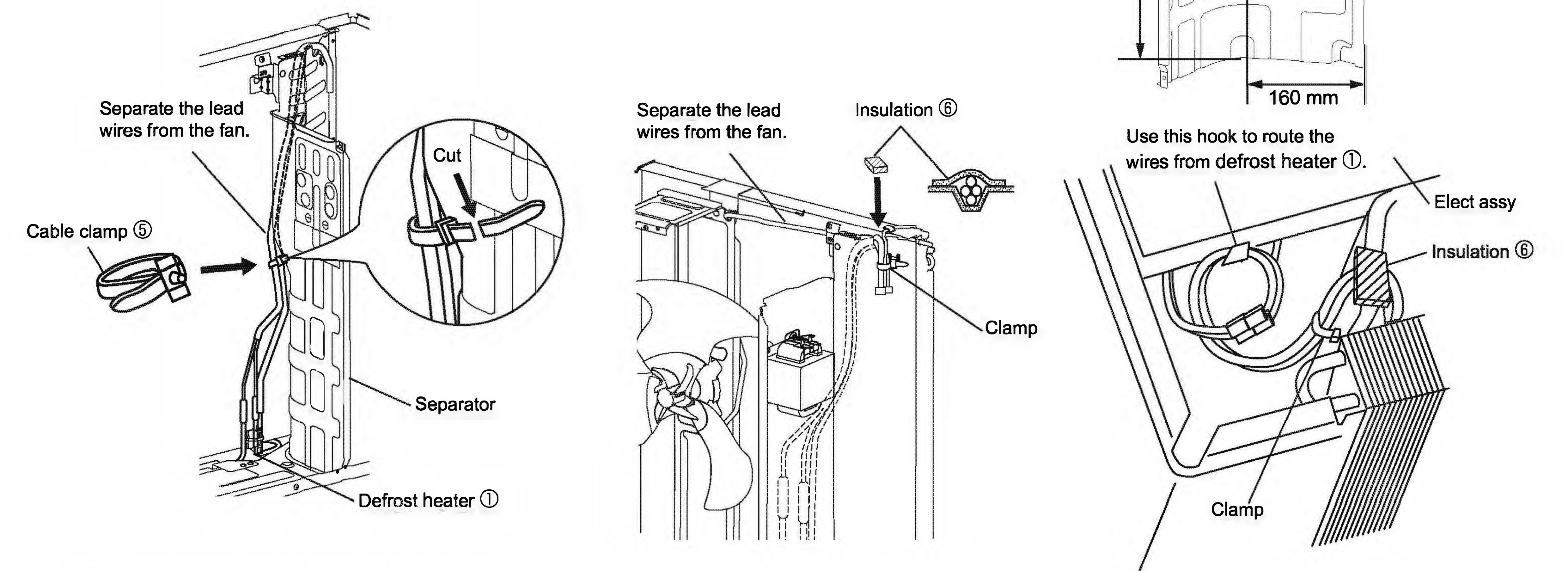
- **Do not install the unit by yourself (user).**
Incomplete installation could cause fire, electric shock, or injury due to the unit falling, or leakage of water. Consult the dealer from whom you purchased the unit or a qualified installer.
- **Earth the unit correctly.**
Do not connect the earth to a gas pipe, water pipe, lightning rod, or telephone earth. Defective earthing could cause electric shock.
- **Be sure to use the parts provided or specified parts for the installation work.**
Incomplete installation could cause fire, electric shock, or injury.

⚠ CAUTION (Could lead to serious injury in particular environments when operated incorrectly.)

- **Install an earth leakage breaker if necessary.**
(I.e. in places where there is moisture)
Failure to install an earth leakage breaker may result in electric shock.

3. FIXING THE WIRES

- (1) Make a hole on the separator at the point shown in the figure on the right.
- (2) Make a ring with the cable clamp ⑤ and attach it to the separator with its edge coming to the front side.
- (3) Install the reactor, and then, install the separator to the original place.
- (4) Put the lead wires of the defrost heater ① through the ring of the cable clamp ⑤ on the separator to fix them.
Cut off the surplus part of the cable clamp ⑤.
- (5) Run the lead wires of the defrost heater ① from the rear of the separator.
- (6) Install the motor support to the original place.
- (7) Place the lead wires of the defrost heater ①, fan motor, and ambient temp. thermistor as shown in the figure below.
Note: If the lead wires slacken, there is a possibility that they touch the propeller fan.
- (8) Secure all the wires tightly with the clamp.
Apply the insulation ⑥ on the place indicated in the figure below.
- (9) Install the elect Assy on the fixed place.
Connect the lead wires from the defrost heater ① to CN 722 on the inverter P.C. board.
Then, hang the lead wires of defrost heater ① on the hook at the rear of the elect Assy.



4. AFTER INSTALLATION

- (1) Attach the wiring diagram ⑦ to the inner side of the top panel.
- (2) Attach the spec label ⑧ under the spec name plate.
- (3) Reinstall the front panel, top panel, and service panel.
- (4) Turn on the breaker, and perform test run to confirm that it works properly.
Note: Do not install either drain socket which is provided with the outdoor unit or purchased separately. Inside of the drain hose and/or drain socket may freeze if the drain socket is installed.

