
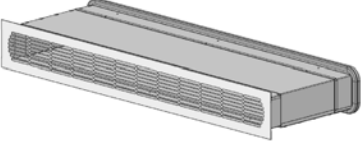
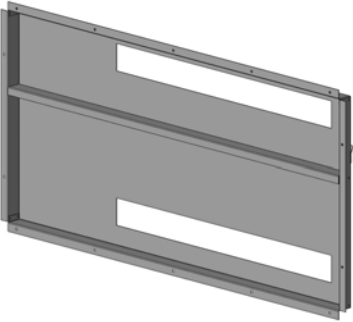


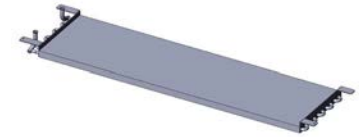
ACCESSORIES CDP 40 – CDP 50 – CDP 70 – CDP 40T – CDP 50T – CDP 70T

Illustration	Accessory	Description	CDP-type	Dantherm No.
	Remote control, DRC1	<p>DRC1 is a wireless RH and temperature controller</p> <p>Frequency: 433 mhz Range up to 50 m depending on the conditions Protection class: IPX 2</p> <p>Functionalities:</p> <ul style="list-style-type: none"> • Reading and setting of RH and temperature, alarms and service information • Locking of settings 	CDP 40 CDP 50 CDP 70 CDP 40T CDP 50T CDP 70T	093455
	Floor mounting kit, 2 pcs.	Each bracket to be mounted on each side of the dehumidifier	CDP 40 CDP 50 CDP 70	094322
	Water heating coil (2,6 kW*)	<p>Comprises water heating coil, flexible hose, fittings and gasket</p> <p>*at 80/60° C</p> <p>(See technical specifications for water heating coils on separate page)</p>	CDP 40 CDP 40T	094333
	Water heating coil (4,2 kW*)		CDP 50 CDP 50T	094334
	Water heating coil (6,2 kW*)		CDP 70 CDP 70T	094335
	DN 10 control valve and actuator for water heating coils	Comprises valve and actuator 230 V, ON/OFF (180 seconds from closed to fully open), incl. union nut for Ø 12 cu tube	CDP 40 CDP 50 CDP 70 CDP 40T CDP 50T CDP 70T	094340
	Electric heating coil 2 kW	Comprises electric heating coil, relays and electric wires	CDP 40 CDP 40T	094336
	Electric heating coil 3,5 kW		CDP 50 CDP 50T	094337
	Electric heating coil 5 kW		CDP 70 CDP 70T	094338

ACCESSORIES CDP 40 – CDP 50 – CDP 70 – CDP 40T – CDP 50T – CDP 70T

Illustration	Accessory	Description	CDP-type	Dantherm No.
	Exhaust fan, Q = 97 m3/h	The exhaust fan can be used in combination with the CDP to either increase dehumidification capacity or establish outdoor air supply	CDP 40 CDP 50 CDP 70 CDP 40T CDP 50T CDP 70T	094339
	Exhaust fan, Q = 185 m3/h		CDP 40 CDP 50 CDP 70 CDP 40T CDP 50T CDP 70T	094341
	Through-wall duct kit with filter, extension kit and alu grill	Comprises inlet and outlet section, grills, inlet filter and extension. For walls between 70 and 366 mm thickness	CDP 40T	094271
			CDP 50T	094243
			CDP 70T	093508
	Duct lead-in adapter	The adapter makes it possible to place CDP 40T-50T-70T on the wall without changing the existing wall openings.	CDP 40T	094801
			CDP 50T	094802
			CDP 70T	094804

ACCESSORIES CDP 40 - CDP 50 - CDP 70 - CDP 40T - CDP 50T - CDP 70T



Water heating coils - calculations at room temperature = 28°C; 60% RH

CDP 40 + CDP 40T	Q = 400 m³/h						
Water temperature	°C	82/71	80/60	70/35	90/70	60/40	55/45
Capacity	kW	3,32	2,64	0,68	3,4	1,02	1,36
Water flow rate	l/sec.	0,07	0,03	0,005	0,04	0,01	0,03
Water pressure drop	kPa	11,8	2,8	0,1	4,2	0,6	3,1
Water velocity	m/sec.	1,05	0,46	0,07	0,6	0,18	0,47
Air flow rate	m ³ /sec.	0,11	0,11	0,11	0,11	0,11	0,11
Inlet temperature	°C	82	80	70	90	60	55
Outlet temperature	°C	71	60	35	70	40	45
Air pressure drop	Pa	8	8	8	8	8	8
Connection tube	Ø mm	12	12	12	12	12	12

CDP 50 + CDP 50T	Q = 680 m³/h						
Water temperature	°C	82/71	80/60	70/35	90/70	60/40	55/45
Capacity	kW	5,28	4,27	0,99	5,45	1,82	2,2
Water flow rate	l/sec.	0,12	0,05	0,01	0,07	0,02	0,05
Water pressure drop	kPa	32,3	7,6	0,2	11,6	1,8	8,6
Water velocity	m/sec.	1,68	0,74	0,1	0,95	0,32	0,76
Air flow rate	m ³ /sec.	0,19	0,19	0,19	0,19	0,19	0,19
Inlet temperature	°C	82	80	70	90	60	55
Outlet temperature	°C	71	60	35	70	40	45
Air pressure drop	Pa	10	10	10	10	10	10
Connection tube	Ø mm	12	12	12	12	12	12

CDP 70 + CDP 70T	Q = 900 m³/h						
Water temperature	°C	82/71	80/60	70/35	90/70	60/40	55/45
Capacity	kW	7,56	6,23	2,37	7,9	2,83	3,23
Water flow rate	l/sec.	0,17	0,08	0,02	0,1	0,03	0,08
Water pressure drop	kPa	83	20,1	1,5	30,1	5,3	22,9
Water velocity	m/sec.	2,4	1,09	0,23	1,38	0,49	1,12
Air flow rate	m ³ /sec.	0,25	0,25	0,25	0,25	0,25	0,25
Inlet temperature	°C	82	80	70	90	60	55
Outlet temperature	°C	71	60	35	70	40	45
Air pressure drop	Pa	8	8	8	8	8	8
Connection tube	Ø mm	12	12	12	12	12	12